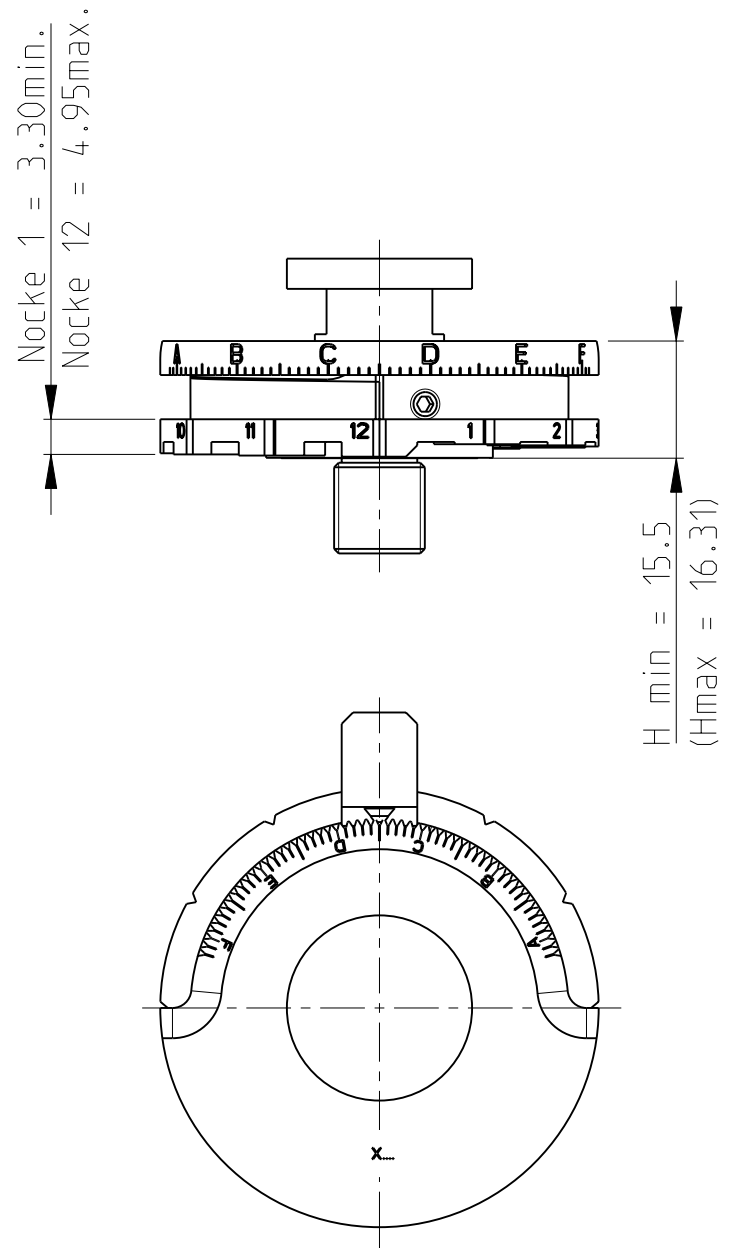
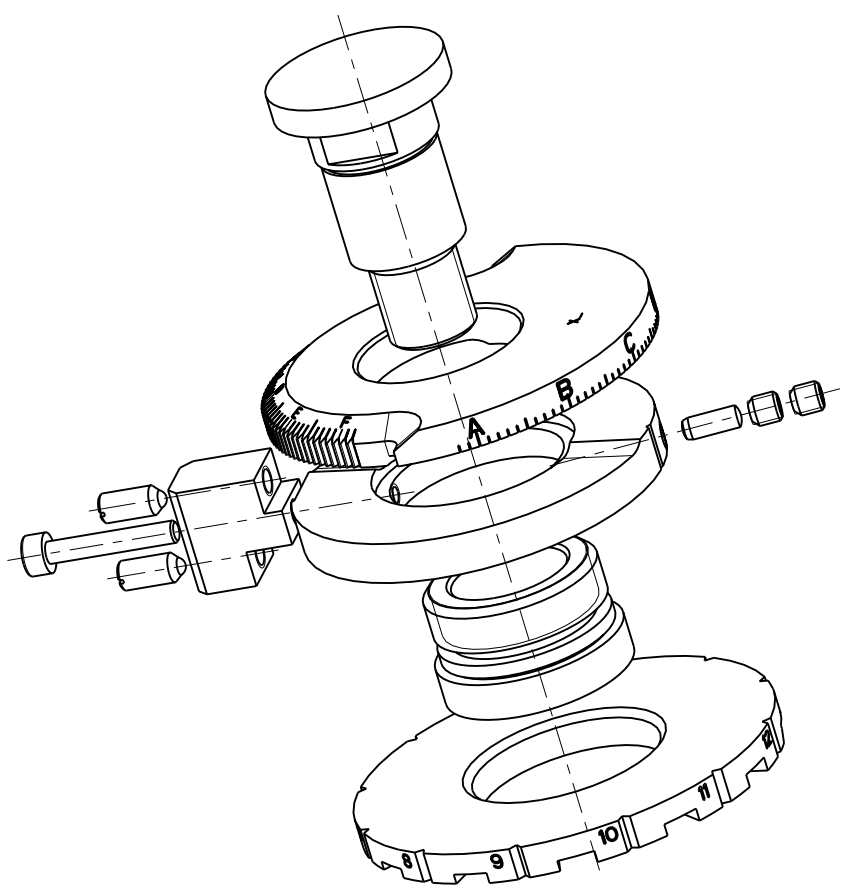
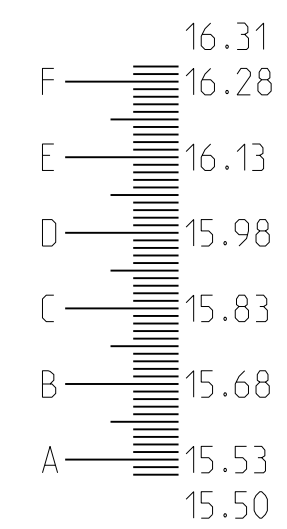


THIS DRAWING IS UNPUBLISHED. RELEASED FOR PUBLICATION 2005  
 © COPYRIGHT 2005 BY TYCO ELECTRONICS CORPORATION. ALL RIGHTS RESERVED.

LOC	DIST	REVISIONS				
P	LTR	DESCRIPTION	DATE	DWN	APVD	
A1	-	B	EGC0-0117-04	17JUN2004	Pf.	-
		C	ECR-06-007205	23MAR2006	KL.	-
		D	ECR-07-022927	26SEP2007	KL.	-
		D1	ECR-08-015876	23JUN2008	KL.	-



Einstellung auf:



H (mm±0.01) Raster 54x0.015

<small>THIS DRAWING IS A CONTROLLED DOCUMENT FOR TYCO ELECTRONICS CORPORATION          IT IS SUBJECT TO CHANGE AND THE CONTROLLING ENGINEERING ORGANIZATION          SHOULD BE CONTACTED FOR THE LATEST REVISION.</small>		DWN B. Pfeifer 11MAY2004 CHK - APVD - PRODUCT SPEC - APPLICATION SPEC - WEIGHT -		Tyco Electronics AMP GmbH 64625 Bensheim (Germany)	
DIMENSIONS: mm 		TOLERANCES UNLESS OTHERWISE SPECIFIED: 0 PLC ± 1 PLC ± 2 PLC ± 3 PLC ± 4 PLC ± ANGLES ±1° MATERIAL - FINISH -		NAME DISC ADJUSTABLE -F EINSTELLKOPF -F SIZE A3 CAGE CODE 00779 DRAWING NO C-879103-3 RESTRICTED TO -	
MATERIAL -		CUSTOMER DRAWING		SCALE 1:1	SHEET 1 OF 1
				REV D1	