

# Reset IC with battery backup function

## BA6129AF / BA6162 / BA6162F

The BA6129AF, BA6162, and BA6162F are reset ICs with a battery backup function, designed for equipment using SRAMs and other similar components. These ICs are configured of a reset signal and CS signal output unit and a power supply switching unit. If the BA6129AF detects that the power supply has dropped to 3.5V or lower, it outputs the CS, CSB, and Reset signals to set the SRAM in backup mode. If the voltage drops to 3.3V or lower, the power supply switches to the battery. With the BA6162 and BA6162F, in the same way, a power supply of 4.2V is detected, and if the voltage drops to 3.3V or lower, the power supply switches to the battery. These ICs allow SRAMs to be write protected and allow the system to be reset, in addition to switching between the power supply and the battery.

### ●Applications

Equipment using SRAMs (cards, cassettes, facsimile machines, copiers, word processors, personal computers, etc.)

### ●Features

- 1) Equipped with battery backup function.
- 2) Equipped with both CS signals (CS and CSB) and Reset signals.
- 3) Low current dissipation when powered from battery.
- 4) Low voltage loss when powered from battery.
- 5) Smooth switching between power supply and battery.

### ●Absolute maximum ratings (Ta = 25°C)

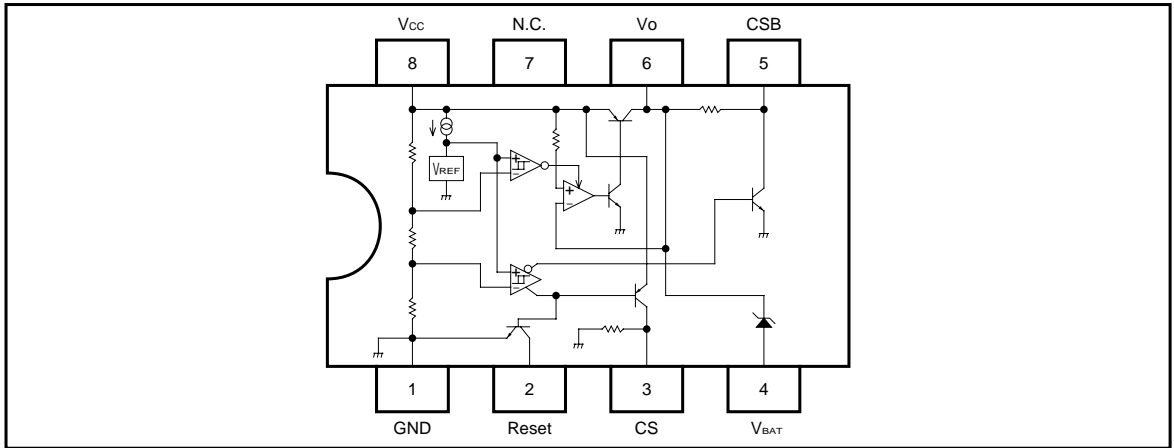
Parameter	Symbol	Limits	Unit
Power supply voltage	V <sub>CC</sub>	7.0	V
Output current 1	I <sub>OUT1</sub>	- 80 (BA6129AF) - 40 (BA6162 / BA6162F)	mA
Output current 2	I <sub>OUT2</sub>	- 200	μA
Power dissipation	P <sub>d</sub>	900* <sup>1</sup> (BA6162) 550* <sup>2</sup> (BA6129AF) (BA6162F)	mW
Operating temperature	T <sub>opr</sub>	- 20 ~ + 75	°C
Storage temperature	T <sub>stg</sub>	- 40 ~ + 125	°C

I<sub>OUT1</sub> indicates the output current on the V<sub>CC</sub> side, and I<sub>OUT2</sub> the output current on the V<sub>BAT</sub> side.

\*1 Reduced by 9.0mW for each increase in Ta of 1°C over 25°C.

\*2 Reduced by 5.5mW for each increase in Ta of 1°C over 25°C.

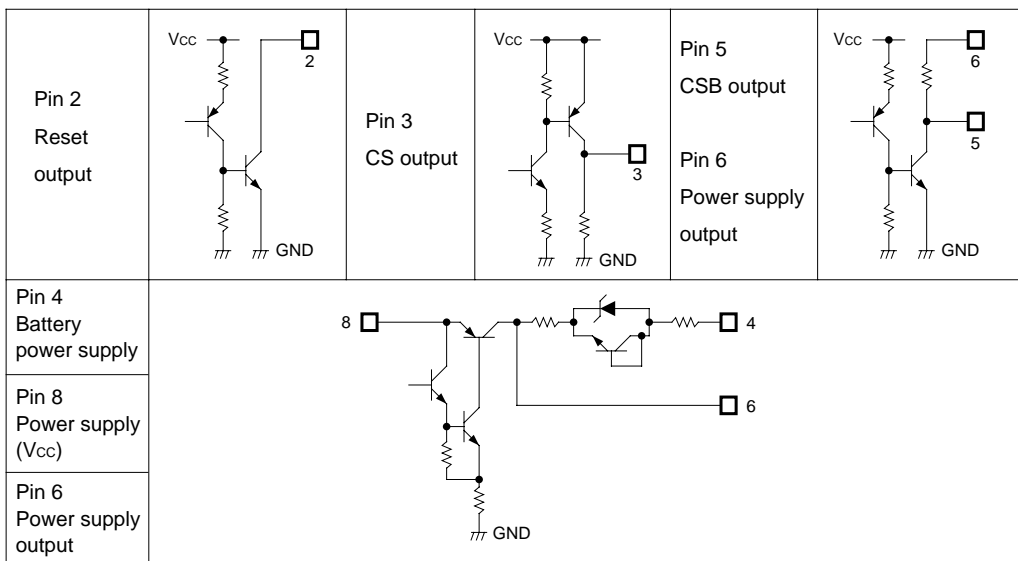
●Block diagram



●Pin descriptions

Pin No.	Pin name	Function
1	GND	Substrate GND
2	Reset	Reset output
3	CS	CS output
4	V <sub>BAT</sub>	Battery power supply
5	CSB	CSB output
6	V <sub>O</sub>	Power supply output
7	N.C.	—
8	V <sub>CC</sub>	Power supply voltage

●Input / output circuit



## ●Electrical characteristics

BA6129AF (unless otherwise noted,  $T_a = 25^\circ\text{C}$ ,  $V_{\text{RES}} = V_{\text{CC}} = 5\text{V}$ ,  $R_{\text{RES}} = 10\text{k}\Omega$ )

Parameter	Symbol	Min.	Typ.	Max.	Unit	Conditions
No-load current dissipation	$I_{\text{CC}}$	—	—	2.0	mA	$V_{\text{CC}} = 5\text{V}$ , $V_{\text{BAT}} = 3\text{V}$
I / O voltage differential 1	$V_{\text{SAT1}}$	—	0.03	0.05	V	$V_{\text{CC}} = 5\text{V}$ , $V_{\text{BAT}} = 3\text{V}$ , $I_{\text{O}} = -1\text{mA}$
Vo output voltage 1	$V_{\text{O1}}$	4.95	4.97	—	V	$V_{\text{CC}} = 5\text{V}$ , $V_{\text{BAT}} = 3\text{V}$ , $I_{\text{O}} = -1\text{mA}$
Vo output voltage 2	$V_{\text{O2}}$	4.70	4.90	—	V	$V_{\text{CC}} = 5\text{V}$ , $V_{\text{BAT}} = 3\text{V}$ , $I_{\text{O}} = -15\text{mA}$
Vo output voltage 3	$V_{\text{O3}}$	4.50	4.86	—	V	$V_{\text{CC}} = 5\text{V}$ , $V_{\text{BAT}} = 3\text{V}$ , $I_{\text{O}} = -30\text{mA}$
Detection voltage	$V_{\text{S}}$	3.35	3.50	3.65	V	$V_{\text{CC}} = \text{H} \rightarrow \text{L}$
Detection hysteresis voltage	$V_{\text{SH}}$	—	100	—	mV	$V_{\text{CC}} = \text{L} \rightarrow \text{H}$
Reset output low level voltage	$V_{\text{RESL}}$	—	—	0.4	V	$V_{\text{CC}} = 3\text{V}$
Reset leakage current	$I_{\text{RESH}}$	—	—	0.1	$\mu\text{A}$	$V_{\text{CC}} = 5\text{V}$ , $V_{\text{RES}} = 7\text{V}$
Reset operating limit voltage	$V_{\text{OPL}}$	—	0.8	1.2	V	$V_{\text{CC}} = \text{H} \rightarrow \text{L}$ , $V_{\text{RES}} \leq 0.4\text{V}$
CS output low level voltage	$V_{\text{CSL}}$	—	—	0.1	V	$V_{\text{CC}} = 3\text{V}$ , $V_{\text{BAT}} = 3\text{V}$ , $I_{\text{CS}} = +1\mu\text{A}$
CS output high level voltage	$V_{\text{CSH}}$	4.9	—	—	V	$V_{\text{CC}} = 5\text{V}$ , $V_{\text{BAT}} = 3\text{V}$ , $I_{\text{CS}} = -1\mu\text{A}$
CSB output low level voltage	$V_{\text{CSBL}}$	—	—	0.1	V	$V_{\text{CC}} = 5\text{V}$ , $V_{\text{BAT}} = 3\text{V}$ , $I_{\text{CSB}} = +1\mu\text{A}$
CSB output high level voltage	$V_{\text{CSBH}}$	$V_{\text{O}} - 0.1$	—	—	V	$V_{\text{CC}} = 3\text{V}$ , $V_{\text{BAT}} = 3\text{V}$ , $I_{\text{CSB}} = -1\mu\text{A}$
Detection voltage temperature characteristic	$V_{\text{S}}$	-0.05	—	+0.05	% / $^\circ\text{C}$	—
Switching voltage	$V_{\text{B}}$	3.15	3.30	3.45	V	$V_{\text{CC}} = \text{H} \rightarrow \text{L}$ , $V_{\text{BAT}} = 3\text{V}$ , $R_{\text{O}} = 200\text{k}\Omega$
Switching hysteresis voltage	$V_{\text{BH}}$	—	100	—	mV	$V_{\text{CC}} = \text{L} \rightarrow \text{H}$ , $V_{\text{BAT}} = 3\text{V}$ , $R_{\text{O}} = 200\text{k}\Omega$
Switching voltage temperature characteristic	$V_{\text{B}}$	-0.05	—	+0.05	% / $^\circ\text{C}$	—
Backup current dissipation	$I_{\text{CCB}}$	—	—	0.5	$\mu\text{A}$	$V_{\text{CC}} = \text{GND}$ , $V_{\text{BAT}} = 3\text{V}$
I / O voltage differential 2	$V_{\text{SAT2}}$	—	0.20	0.30	V	$V_{\text{CC}} = \text{GND}$ , $V_{\text{BAT}} = 3\text{V}$ , $I_{\text{O}} = -1\mu\text{A}$
Vo output voltage 4	$V_{\text{O4}}$	2.70	2.80	—	V	$V_{\text{CC}} = \text{GND}$ , $V_{\text{BAT}} = 3\text{V}$ , $I_{\text{O}} = -1\mu\text{A}$
Vo output voltage 5	$V_{\text{O5}}$	2.60	2.67	—	V	$V_{\text{CC}} = \text{GND}$ , $V_{\text{BAT}} = 3\text{V}$ , $I_{\text{O}} = -100\mu\text{A}$
Vo output voltage 6	$V_{\text{O6}}$	$V_{\text{CC}} - 0.5$	—	—	V	$I_{\text{O}} = -80\text{mA}$
Reverse current	$I_{\text{OR}}$	—	—	0.1	$\mu\text{A}$	$V_{\text{CC}} = 5\text{V}$ , $V_{\text{BAT}} = \text{GND}$

(Note)  $I_{\text{O}}$ ,  $I_{\text{CS}}$ , and  $I_{\text{CSB}}$  are + when flowing toward the pin and - when flowing away from the pin.

○ Not designed for radiation resistance.

BA6162 / F (unless otherwise noted,  $T_a = 25^\circ\text{C}$ ,  $V_{\text{RES}} = V_{\text{CC}} = 5\text{V}$ ,  $R_{\text{RES}} = 10\text{k}\Omega$ )

Parameter	Symbol	Min.	Typ.	Max.	Unit	Conditions
No-load current dissipation	$I_{\text{CC}}$	—	—	2.0	mA	$V_{\text{CC}} = 5\text{V}$ , $V_{\text{BAT}} = 3\text{V}$
I / O voltage differential 1	$V_{\text{SAT1}}$	—	0.03	0.05	V	$V_{\text{CC}} = 5\text{V}$ , $V_{\text{BAT}} = 3\text{V}$ , $I_{\text{O}} = -1\text{mA}$
Vo output voltage 1	$V_{\text{O1}}$	4.95	4.97	—	V	$V_{\text{CC}} = 5\text{V}$ , $V_{\text{BAT}} = 3\text{V}$ , $I_{\text{O}} = -1\text{mA}$
Vo output voltage 2	$V_{\text{O2}}$	4.70	4.90	—	V	$V_{\text{CC}} = 5\text{V}$ , $V_{\text{BAT}} = 3\text{V}$ , $I_{\text{O}} = -15\text{mA}$
Vo output voltage 3	$V_{\text{O3}}$	4.50	4.86	—	V	$V_{\text{CC}} = 5\text{V}$ , $V_{\text{BAT}} = 3\text{V}$ , $I_{\text{O}} = -30\text{mA}$
Detection voltage	$V_{\text{S}}$	4.00	4.20	4.40	V	$V_{\text{CC}} = \text{H} \rightarrow \text{L}$
Detection hysteresis voltage	$V_{\text{SH}}$	—	100	—	mV	$V_{\text{CC}} = \text{L} \rightarrow \text{H}$
Reset output low level voltage	$V_{\text{RESL}}$	—	—	0.4	V	$V_{\text{CC}} = 3.7\text{V}$
Reset leakage current	$I_{\text{RESH}}$	—	—	0.1	$\mu\text{A}$	$V_{\text{CC}} = 5\text{V}$ , $V_{\text{RES}} = 7\text{V}$
Reset operating limit voltage	$V_{\text{OPL}}$	—	0.8	1.2	V	$V_{\text{CC}} = \text{H} \rightarrow \text{L}$ , $V_{\text{RES}} \leq 0.4\text{V}$
CS output low level voltage	$V_{\text{CSL}}$	—	—	0.1	V	$V_{\text{CC}} = 3.7\text{V}$ , $V_{\text{BAT}} = 3\text{V}$ , $I_{\text{CS}} = +1\mu\text{A}$
CS output high level voltage	$V_{\text{CSH}}$	4.9	—	—	V	$V_{\text{CC}} = 5\text{V}$ , $V_{\text{BAT}} = 3\text{V}$ , $I_{\text{CS}} = -1\mu\text{A}$
CSB output low level voltage	$V_{\text{CSBL}}$	—	—	0.1	V	$V_{\text{CC}} = 5\text{V}$ , $V_{\text{BAT}} = 3\text{V}$ , $I_{\text{CSB}} = +1\mu\text{A}$
CSB output high level voltage	$V_{\text{CSBH}}$	$V_{\text{O}} - 0.1$	—	—	V	$V_{\text{CC}} = 3.7\text{V}$ , $V_{\text{BAT}} = 3\text{V}$ , $I_{\text{CSB}} = -1\mu\text{A}$
Detection voltage temperature characteristic	$K_{\text{VS}}$	-0.05	—	+0.05	% / $^\circ\text{C}$	—
Switching voltage	$V_{\text{B}}$	3.15	3.30	3.45	V	$V_{\text{CC}} = \text{H} \rightarrow \text{L}$ , $V_{\text{BAT}} = 3\text{V}$ , $R_{\text{O}} = 200\text{k}\Omega$
Switching hysteresis voltage	$V_{\text{BH}}$	—	100	—	mV	$V_{\text{CC}} = \text{L} \rightarrow \text{H}$ , $V_{\text{BAT}} = 3\text{V}$ , $R_{\text{O}} = 200\text{k}\Omega$
Switching voltage temperature characteristic	$K_{\text{VB}}$	-0.05	—	+0.05	% / $^\circ\text{C}$	—
Backup current dissipation	$I_{\text{CCB}}$	—	—	0.5	$\mu\text{A}$	$V_{\text{CC}} = \text{GND}$ , $V_{\text{BAT}} = 3\text{V}$
I / O voltage differential 2	$V_{\text{SAT2}}$	—	0.20	0.03	V	$V_{\text{CC}} = \text{GND}$ , $V_{\text{BAT}} = 3\text{V}$ , $I_{\text{O}} = -1\mu\text{A}$
Vo output voltage 4	$V_{\text{O4}}$	2.70	2.80	—	V	$V_{\text{CC}} = \text{GND}$ , $V_{\text{BAT}} = 3\text{V}$ , $I_{\text{O}} = -1\mu\text{A}$
Vo output voltage 5	$V_{\text{O5}}$	2.60	2.67	—	V	$V_{\text{CC}} = \text{GND}$ , $V_{\text{BAT}} = 3\text{V}$ , $I_{\text{O}} = -100\mu\text{A}$
Vo output voltage 6	$V_{\text{O6}}$	$V_{\text{CC}} - 0.5$	—	—	V	$I_{\text{O}} = -40\text{mA}$
Reverse current	$I_{\text{OR}}$	—	—	0.1	$\mu\text{A}$	$V_{\text{CC}} = 5\text{V}$ , $V_{\text{BAT}} = \text{GND}$

(Note)  $I_{\text{O}}$ ,  $I_{\text{CS}}$ , and  $I_{\text{CSB}}$  are + when flowing toward the pin and - when flowing away from the pin.

○ Not designed for radiation resistance.

● Measurement circuit

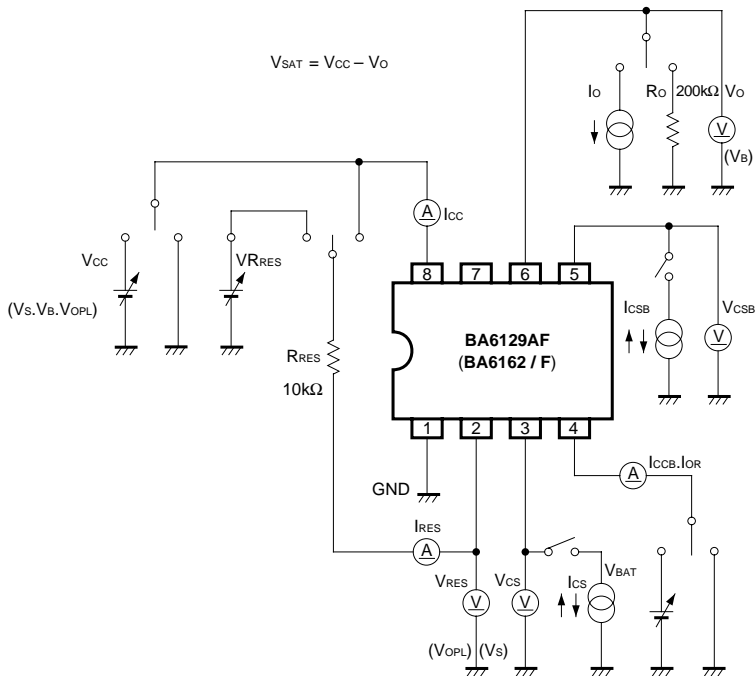


Fig. 1

●Circuit operation

These ICs have two distinct functions, a logic output function and a power supply switching function.

The logic output circuit consists of the following:

- (1) Reset output (NPN Tr open collector)
- (2) CS output (PNP Tr open collector + pull-down resistor)
- (3) CSB output (NPN Tr open collector + pull-up resistor)

The power supply switching circuit consists of a PNP power transistor and an SBD (Schottky barrier diode). The normal power supply  $V_{CC}$  and the battery backup power supply ( $V_{BAT}$ ) are both connected to the switching circuit. When the PNP power transistor is turned on and off, the IC power is switched from the normal power supply to the battery backup power supply, and vice versa.

The power supply voltage detection circuit consists of a standard voltage source  $V_{REF}$  and a hysteresis comparator. The power supply  $V_{CC}$  is detected using a split resistance. When the power supply voltage drops below the detection voltage (BA6129AF:  $V_S = 3.5V_{typ.}$  when  $V_{CC}$  drops and  $V_S + 0.1V_{typ.}$  when  $V_{CC}$  rises;

BA6162 / F:  $V_S = 4.2V_{typ.}$  when  $V_{CC}$  drops, and  $V_S + 0.1V_{typ.}$  when  $V_{CC}$  rises), the Reset signal (Low) and the CS signal (CS-Low, CSB-High) are output by the logic output function, and the SRAM (or other memory device) is switched to backup mode.

If the power supply  $V_{CC}$  drops further and goes below the switching voltage (BA6129AF and BA6162 / F:  $V_B = 3.3V_{typ.}$  when  $V_{CC}$  drops,  $V_B + 0.1V_{typ.}$  when  $V_{CC}$  rises), the SBD develops a forward bias because the PNP power transistor is off. The power supply output  $V_O$  switches from the power supply  $V_{CC}$  to the battery power supply ( $V_{BAT}$ ).

When the normal power supply  $V_{CC}$  rises, the above process is reversed.

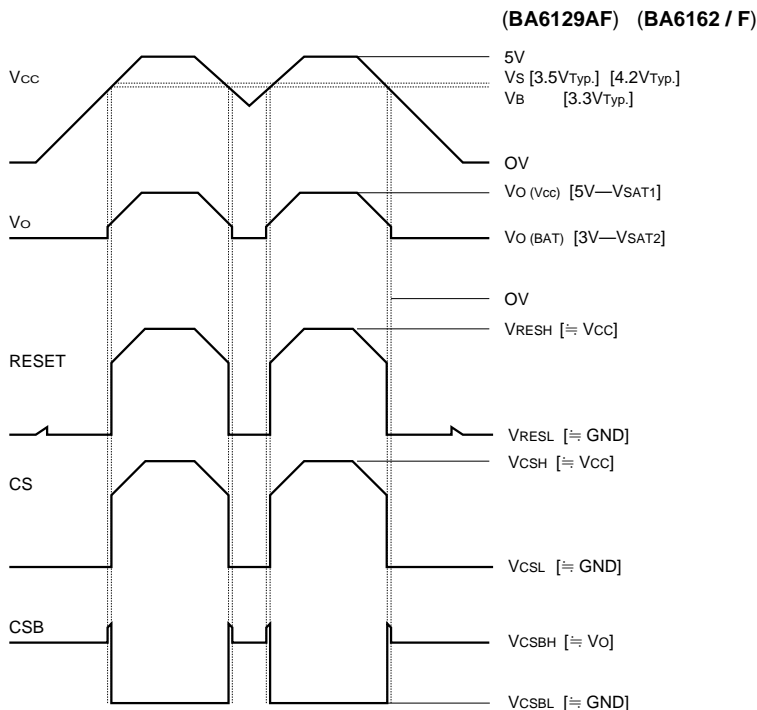


Fig. 2 Timing chart

●Application example

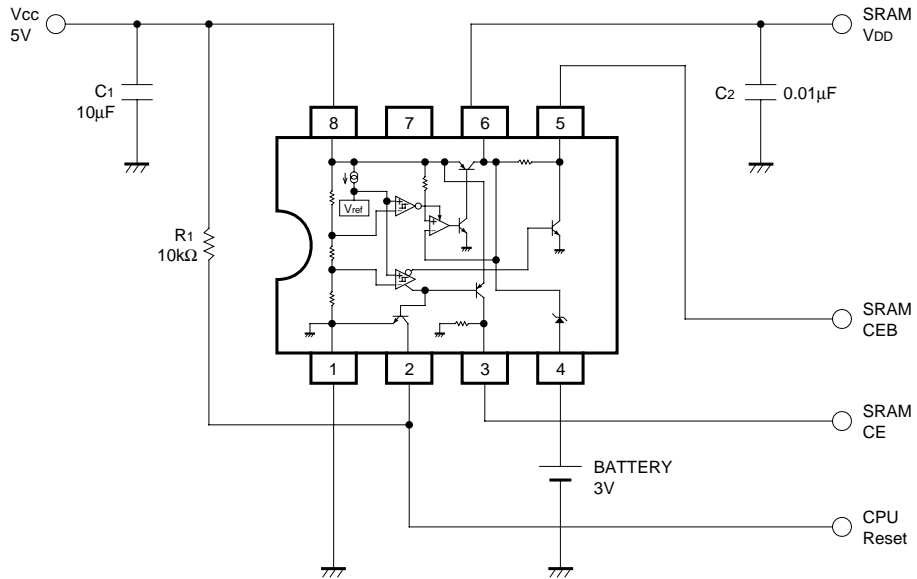


Fig. 3

●Operation notes

(1) Power supply  $V_{CC}$

These ICs are designed to operate with at  $V_{CC} = 5V$ , but can also operate at  $V_{CC}$  values of other than 5V. However, the following conditions must be met: (equation)

$$\begin{cases} V_S + V_{SH} < V_{CC} < V_{CCMax.} \\ V_{CC} - V_{BAT} < 5V \end{cases}$$

(2) Battery voltage  $V_{BAT}$

These ICs are designed to operate with at  $V_{BAT} = 3V$ , but can also operate at  $V_{BAT}$  values of other than 3V. However, the following conditions must be met: (equation)

$$\begin{cases} V_{BAT} < V_B \\ V_{CC} - V_{BAT} < 5V \end{cases}$$

where)  $V_S$ : detection voltage  
 $V_{SH}$ : detection hysteresis voltage  
 $V_B$ : switching voltage

●Electrical characteristic curves (BA6129AF)

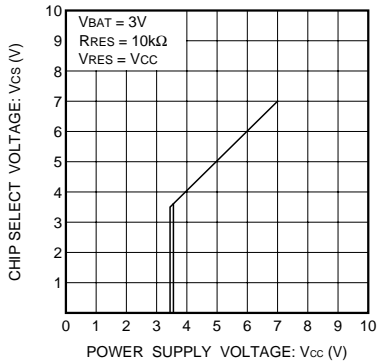


Fig. 4 CS output voltage vs. power supply voltage

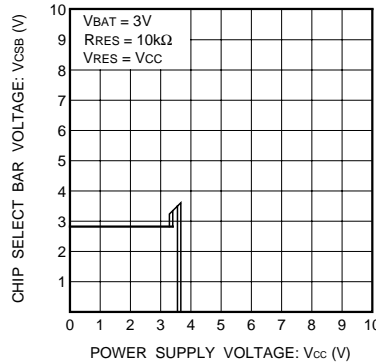


Fig. 5 CSB output voltage vs. power supply voltage

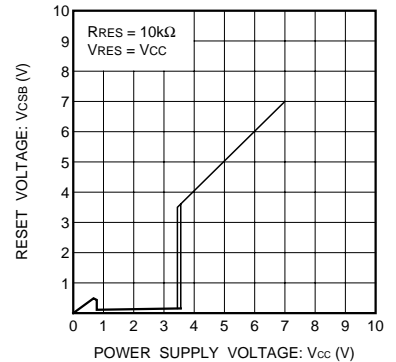


Fig. 6 Reset output voltage vs. power supply voltage

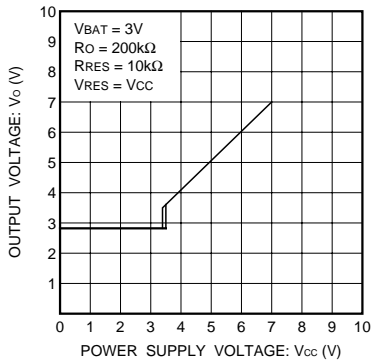


Fig. 7 Output voltage vs. power supply voltage

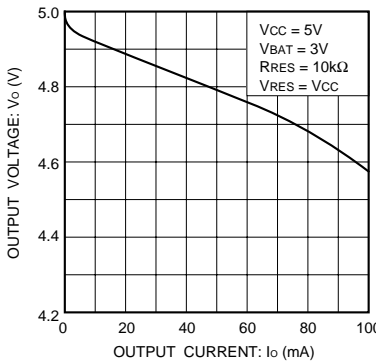


Fig. 8 Output voltage vs. output current (I) (when power supply is detected)

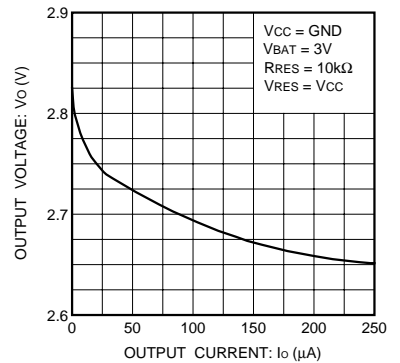


Fig. 9 Output voltage vs. output current (II) (when using battery backup)

●Electrical characteristic curves (BA6162 / F)

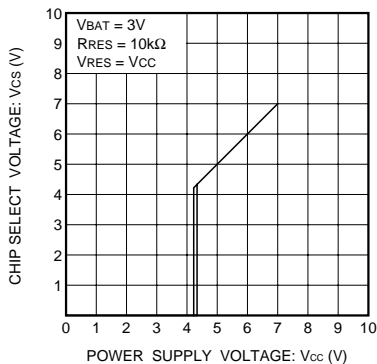


Fig. 10 CS output voltage vs. power supply voltage

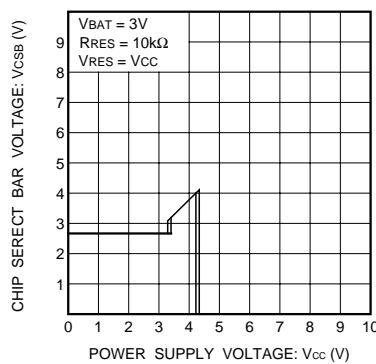


Fig. 11 CSB output voltage vs. power supply voltage

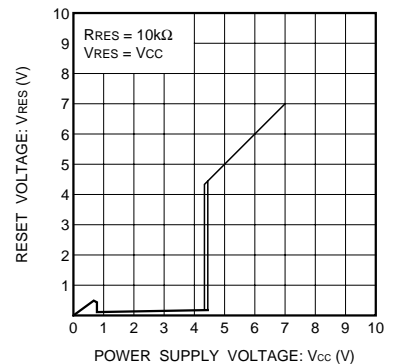


Fig. 12 Reset output voltage vs. power supply voltage



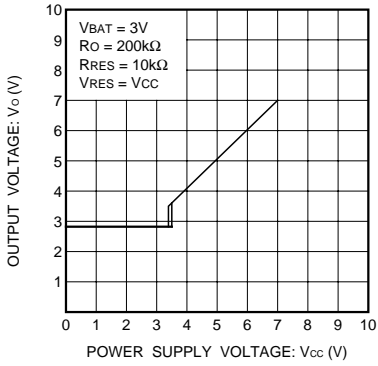


Fig. 13 Output voltage vs. power supply voltage

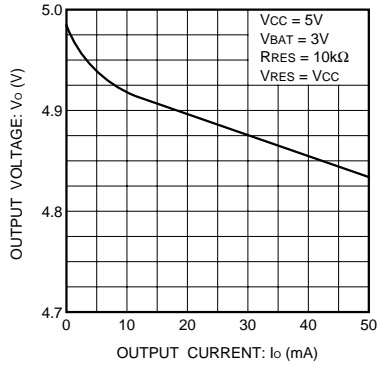


Fig. 14 Output voltage vs. output current ( I ) (when power supply is detected)

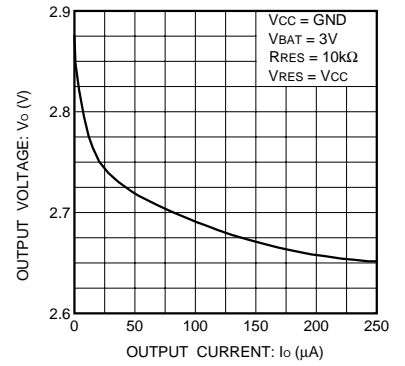


Fig. 15 Output voltage vs. output current ( II ) (when using battery backup)

●External dimensions (Units: mm)

