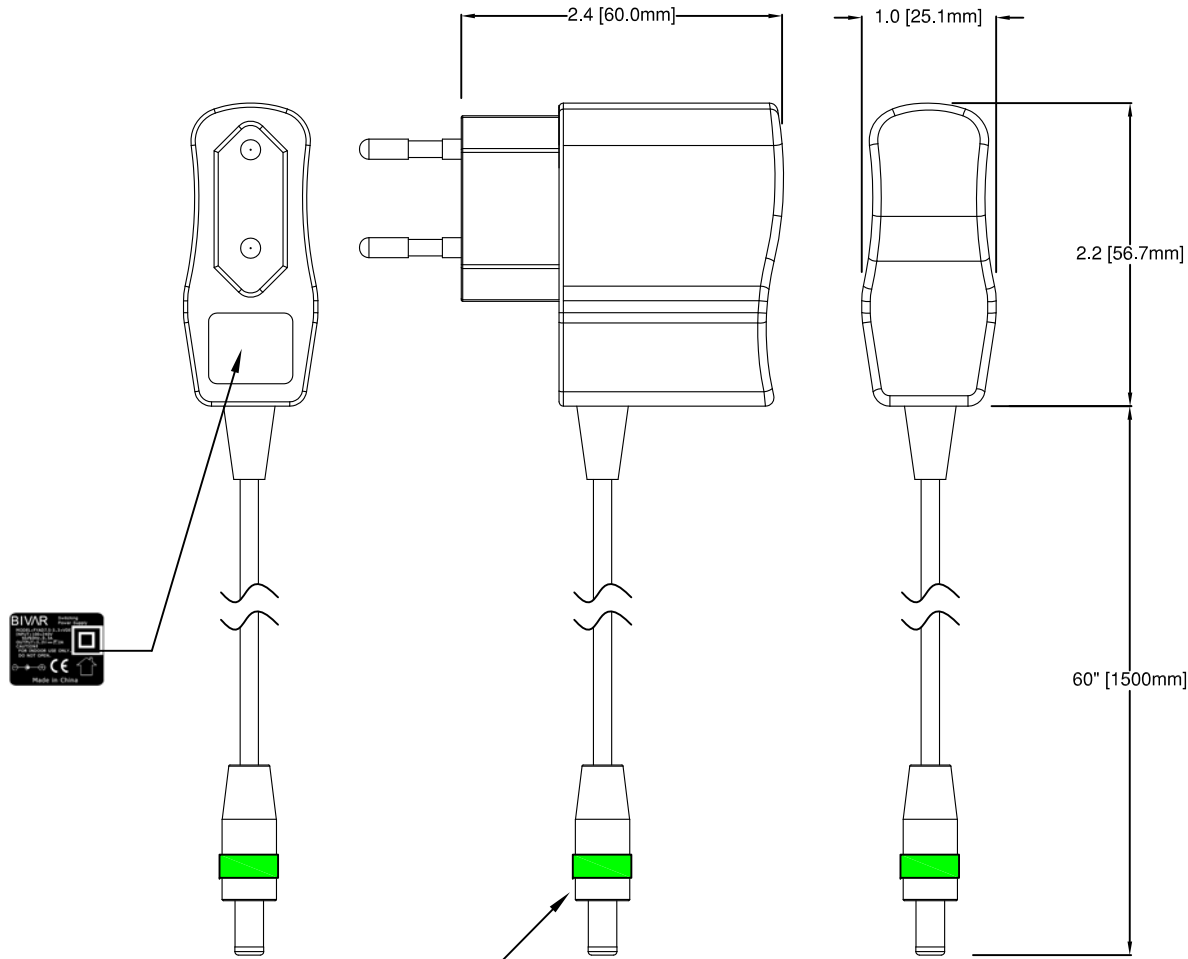
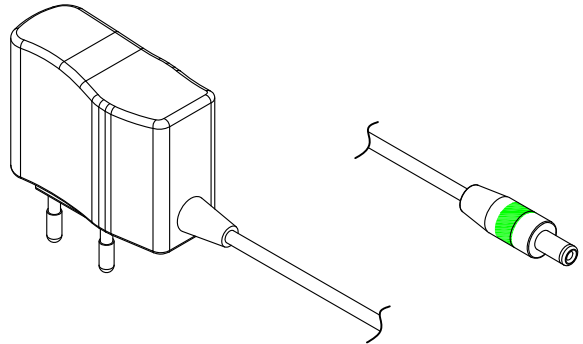


| REV. | DESCRIPTION | DATE | APPROVED |
|------|--|----------|----------|
| A | Engineering Release. | 04/30/07 | M. C. |
| B | Initial Production Release. | 08/01/07 | M. C. |
| C | Updated Environmental Characteristics and PN | 04/23/08 | M. C. |
| D | Added Green Tubing ID | 03/31/09 | M. C. |



3/8" to 3/16" x 0.150"
Green Tubing ID



Mating Connector:
5.5 x 2.1 x 9mm DC Plugs

ELECTRICAL CHARACTERISTICS

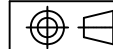
| NO | ITEM | SPECIFICATIONS | CONDITION |
|----|----------------------------|---------------------------|-------------------------------------|
| 1 | INPUT | AC 90~264V | RATED AC 100~240V |
| 2 | FREQUENCY | 47Hz~63Hz | RATED 50/60Hz |
| 3 | INRUSH CURRENT | 30A MAX. | AC 240V, RATED LOAD 25°C COLD START |
| 4 | EFFICIENCY | ≥ 65% | AC 220~240V, RATED LOAD |
| 5 | LEAKAGE CURRENT | 0.50mA MAX. | AC240V/60Hz INPUT RATED LOAD |
| 6 | RATED OUTPUT | DC 3.3V | |
| 7 | RATED LOAD | 0.35A | 0.38A MAX |
| 8 | LOAD/LINE REGULATION | 3.3V±5%, ±1% | |
| 9 | RIPPLE & NOISE VOLTAGE | 100mVp-p | REFERENCE ITEM 9 |
| 10 | OUTPUT SHORT PROTECTION | SHORT BE REMOVE NO DAMAGE | SHORT TIME 10 MINUTES MAX |
| 11 | OVER VOLTAGE PROTECTION | ZENER SHORT PROTECTION | 20 mA load |
| 12 | HOLD UP TIME | 500mS TYP. | AC120V/60Hz INPUT, RATED LOAD |
| 13 | STAND BY POWER | 0.50W TYP. | AC 230V INPUT, NO LOAD |
| 14 | LASTING CURRENT REGULATION | ±30mA | |

ENVIRONMENTAL CHARACTERISTICS

| | TEMPERATURE RANGE | HUMIDITY RANGE |
|-----------|-------------------|----------------|
| OPERATION | 0°C ~ +45°C | 10 ~ 90% RH |
| STORAGE | -20°C ~ +70°C | 5 ~ 90% RH |

STANDARD TOLERANCE
(UNLESS OTHERWISE SPECIFIED)

| DECIMALS | ANGULAR |
|-------------|---------|
| .X ± .1 | X° ± 1° |
| .XX ± .01 | |
| .XXX ± .005 | |



BIVAR[®]
4 THOMAS, IRVINE, CA, 92618
TEL: (949) 951-8808 FAX: (949) 951-3974

TITLE: 3.3V Wide Range, VED Approved, Universal Regulated Switching Power Supply

| | | | |
|-----------------------------|--------------------------|----------------------------------|------------------------------|
| DESIGNED: M. Chen | DATE: 04/30/07 | PART NO: EIADT-VDE-002 | REVISION: D |
| CHECKED: T. Yin | DATE: 04/30/07 | CAGE CODE : 32559 | SHEET # 1 OF 1 |

CAD GENERATED DOCUMENT, DO NOT MEASURE DRAWING.