

TO-39 NPN SILICON PLANAR SWITCHING TRANSISTORS

Switching And Linear Application DC And VHF Amplifier Applications

ABSOLUTE MAXIMUM RATINGS

DESCRIPTION	SYMBOL	2N2219A	UNIT
Collector -Emitter Voltage	VCEO	40	V
Collector -Base Voltage	VCBO	75	V
Emitter -Base Voltage	VEBO	6.0	V
Collector Current Continuous	IC	800	mA
Power Dissipation @Ta=25 degC	PD	800	mW
Derate Above 25deg C		4.57	mW/deg C
@ Tc=25 degC	PD	3.0	W
Derate Above 25deg C		17.1	mW/deg C
Operating And Storage Junction Temperature Range	Tj, Tstg	-65 to +200	deg C

ELECTRICAL CHARACTERISTICS (Ta=25 deg C Unless Otherwise Specified)

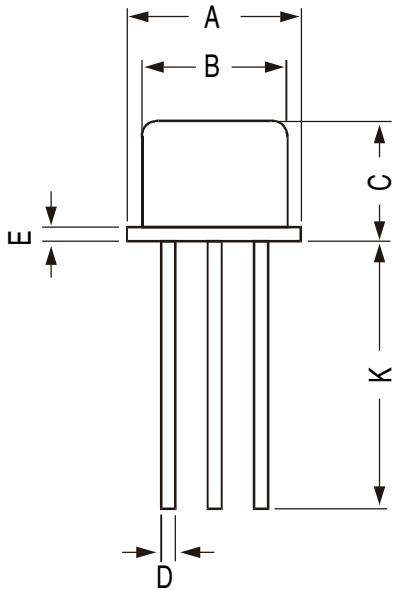
DESCRIPTION	SYMBOL	TEST CONDITION	VALUE		UNIT
			MIN	MAX	
Collector -Emitter Voltage	VCEO	IC=10mA, IB=0	40	-	V
Collector -Base Voltage	VCBO	IC=10uA, IE=0	75	-	V
Emitter-Base Voltage	VEBO	IE=10uA, IC=0	6.0	-	V
Collector-Cut off Current	ICBO	VCB=60V, IE=0	-	10	nA
		Ta=150 deg C			
		VCB=60V, IE=0	-	10	uA
Emitter-Cut off Current	ICEX	VCE=60V, VEB=3V	-	10	nA
Base-Cut off Current	IEBO	VEB=3V, IC=0	-	10	nA
	IBL	VCE=60V, VEB=3V	-	20	nA
Collector Emitter Saturation Voltage	VCE(Sat)*	IC=150mA, IB=15mA	-	0.3	V
		IC=500mA, IB=50mA		1.0	V
Base Emitter Saturation Voltage	VBE(Sat) *	IC=150mA, IB=15mA	-	0.6-1.2	V
		IC=500mA, IB=50mA	-	2.0	V

ELECTRICAL CHARACTERISTICS (Ta=25 deg C Unless Otherwise Specified)**2N2219A**

DESCRIPTION	SYMBOL	TEST CONDITION		UNIT	
DC Current Gain	hFE	IC=0.1mA, VCE=10V	>35		
		IC=1mA, VCE=10V	>50		
		IC=10mA, VCE=10V	>75		
			Ta=55 deg C		
			IC=10mA, VCE=10V	>35	
			IC=150mA, VCE=10V	100-300	
			IC=150mA, VCE=1V	>50	
		IC=500mA, VCE=10V	>40		
<u>DYNAMIC CHARACTERISTICS</u>					
Small Signal Current Gain	hfe	ALL f=1kHz IC=1mA, VCE=10V	50-300		
		IC=10mA, VCE=10V	75-375		
Input Impedance	hie	IC=1mA, VCE=10V	2.0-8.0	kohms	
		IC=10mA, VCE=10V	0.25-1.25		
Voltage Feedback Ratio	hre	IC=1mA, VCE=10V	<8.0	x10-4	
		IC=10mA, VCE=10V	<4.0		
Out put Admittance	hoe	IC=1mA, VCE=10V	5.0-35	umhos	
		IC=10mA, VCE=10V	25-200		
Collector Base Time Constant	rb'Cc	IE=20mA, VCB=20V f=31.8MHz	<150	ps	
Real Part Common-Emitter High Frequency Input Impedance	Re(hie)	IC=20mA, VCE=20V f=300MHz	<60	ohms	
Noise Figure	NF	IC=100uA, VCE=10V Rs=1kohms, f=1kHz	- <4.0	dB	
<u>DYNAMIC CHARACTERISTICS</u>					
Transistors Frequency	ft	IC=20mA, VCE=20V f=100MHz	>300	MHz	
Out-Put Capacitance	Cob	VCB=10V, IE=0 f=100kHz	<8.0	pF	
Input Capacitance	Cib	VEB=0.5V, IC=0 f=100kHz	<25	pF	
SWITCHING Time					
Delay time	td	IC=150mA, IB1=15mA	<10	ns	
Rise time	tr	VCC=30V, VBE=0.5V -	<25	ns	
Storage time	ts	IC=150mA, IB1=	<225	ns	
Fall time	tf	IB2=15mA, VCC=30V -	<60	ns	

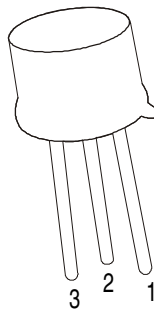
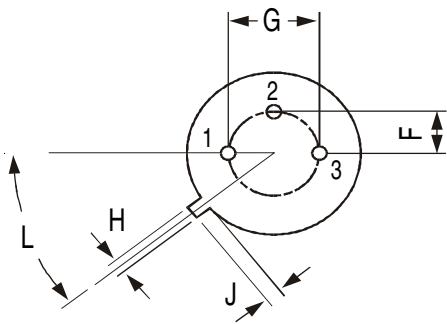
*Pulse Condition: Pulse Width=300us, Duty Cycle=2%

TO-39 Metal Can Package



DIM	MIN	MAX
A	8.50	9.39
B	7.74	8.50
C	6.09	6.60
D	0.40	0.53
E	—	0.88
F	2.41	2.66
G	4.82	5.33
H	0.71	0.86
J	0.73	1.02
K	12.70	—
L	42 DEG	48 DEG

All dimensions are in mm



PIN CONFIGURATION

1. EMITTER
2. BASE
3. COLLECTOR

DISCLAIMER NOTICE

Rectron Inc reserves the right to make changes without notice to any product specification herein, to make corrections, modifications, enhancements or other changes. Rectron Inc or anyone on its behalf assumes no responsibility or liability for any errors or inaccuracies. Data sheet specifications and its information contained are intended to provide a product description only. "Typical" parameters which may be included on RECTRON data sheets and/ or specifications can and do vary in different applications and actual performance may vary over time. Rectron Inc does not assume any liability arising out of the application or use of any product or circuit.

Rectron products are not designed, intended or authorized for use in medical, life-saving implant or other applications intended for life-sustaining or other related applications where a failure or malfunction of component or circuitry may directly or indirectly cause injury or threaten a life without expressed written approval of Rectron Inc. Customers using or selling Rectron components for use in such applications do so at their own risk and shall agree to fully indemnify Rectron Inc and its subsidiaries harmless against all claims, damages and expenditures.