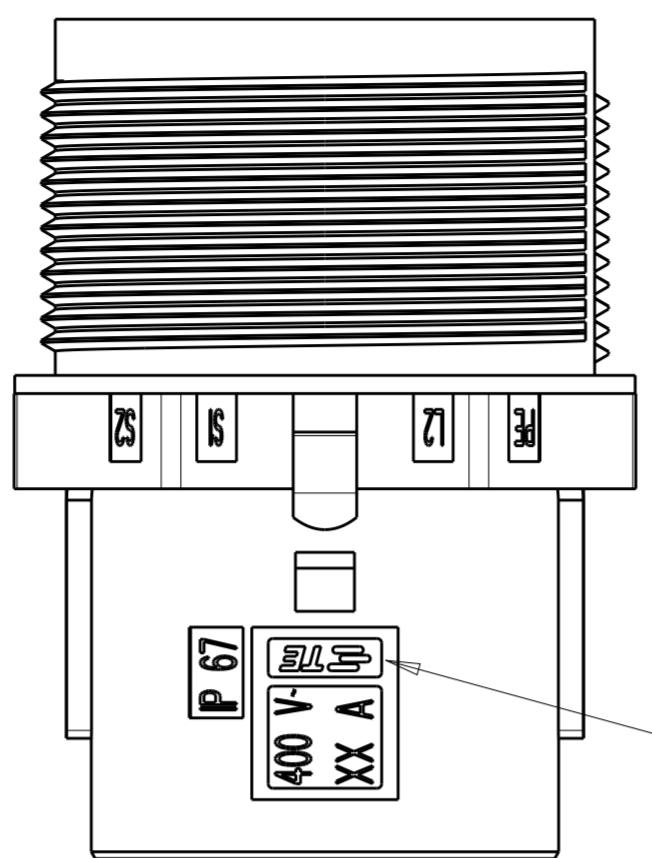


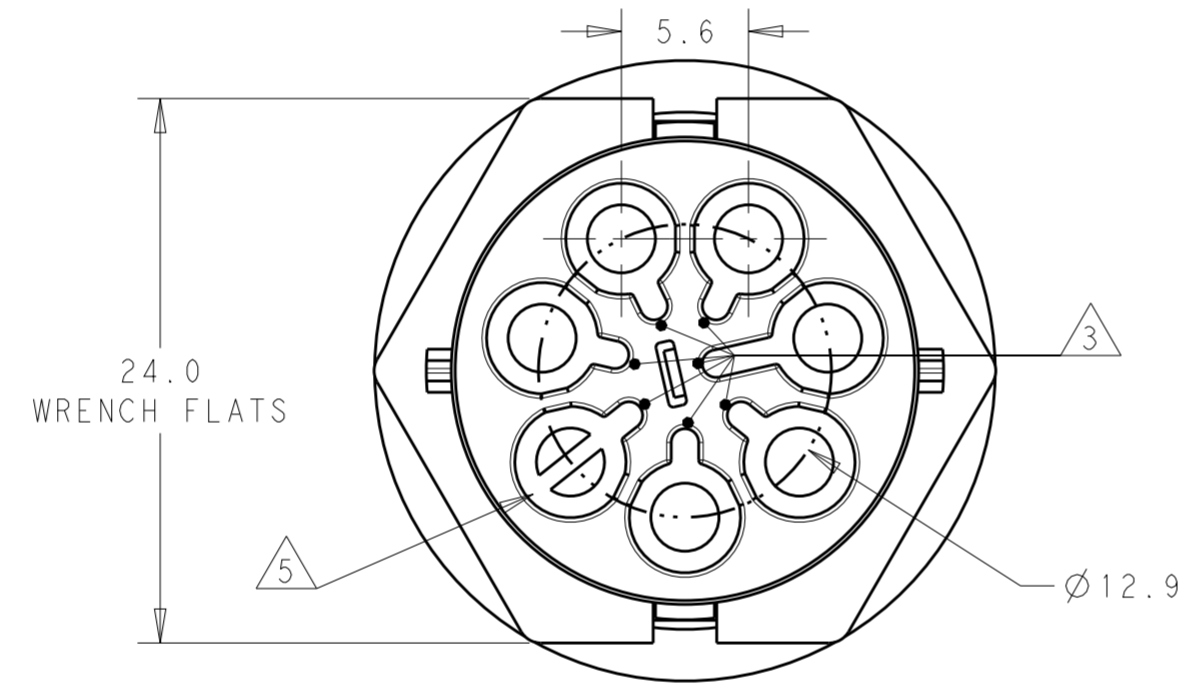
| REVISIONS | | | | | |
|-----------|-----|------------------------------|-----------|-----|------|
| P | LTR | DESCRIPTION | DATE | DWN | APVD |
| | A | REVISED AS PER ECR-15-005925 | 21APR2015 | RS | JL |
| | | | | | |
| | | | | | |

VIEW A

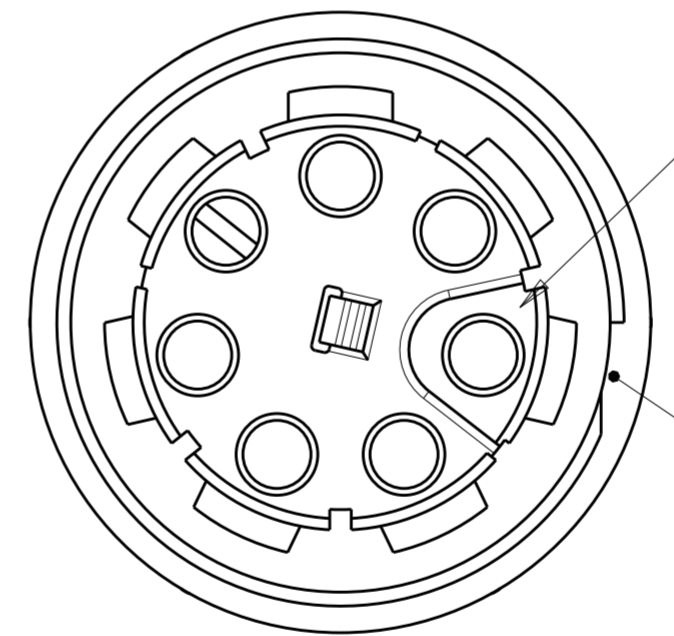


NOTES:

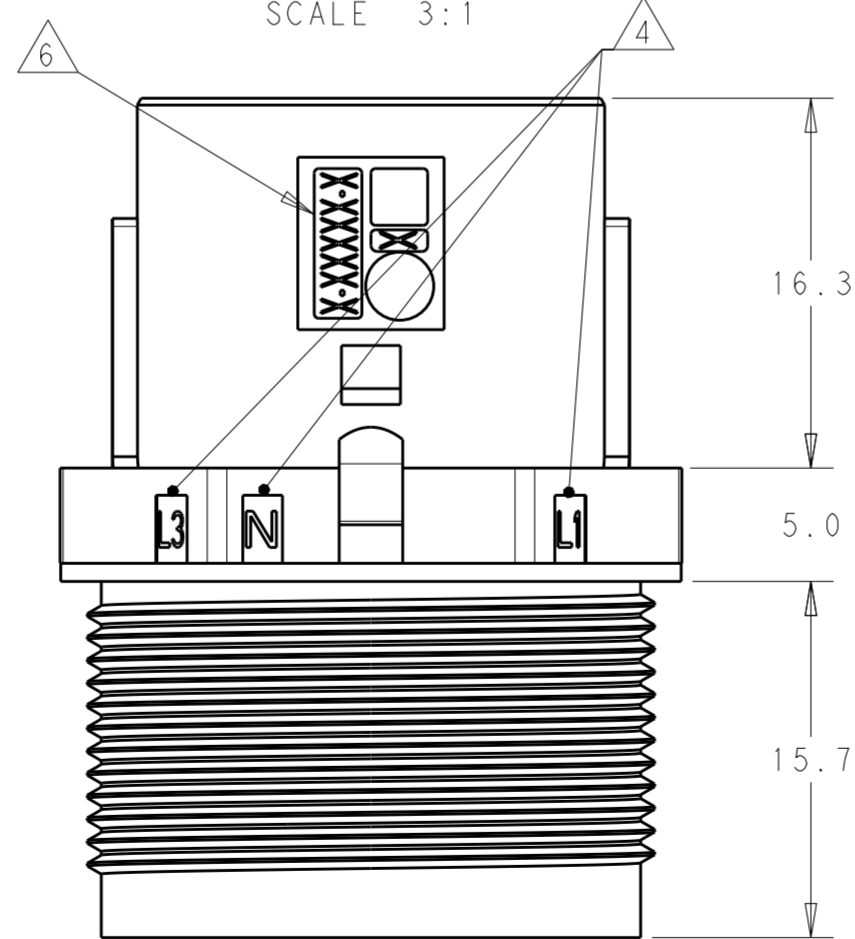
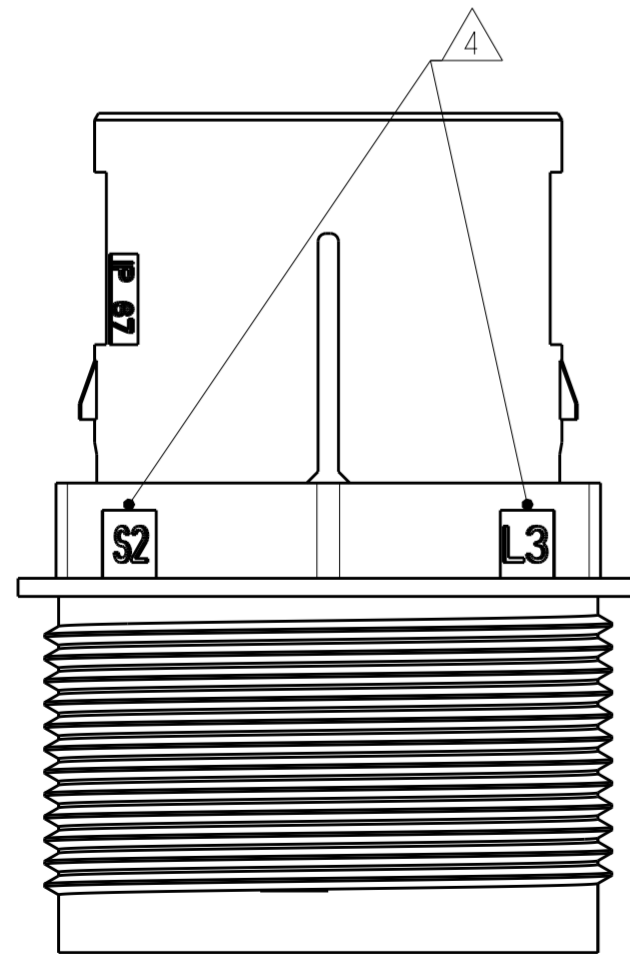
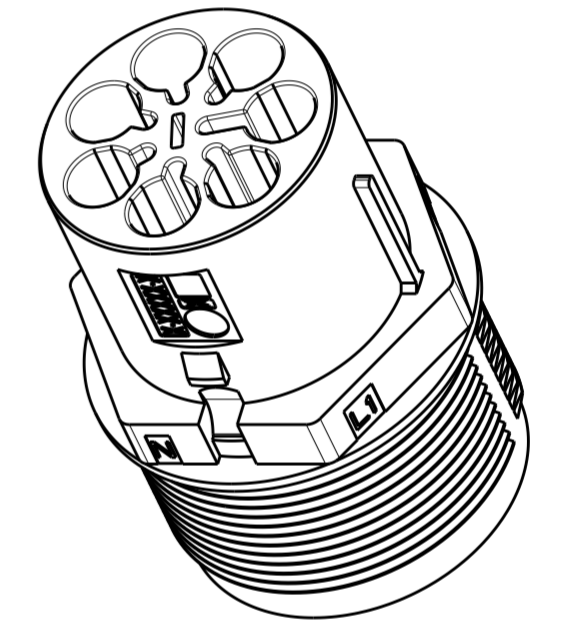
- 1. MATERIAL: GLASS FILLED PBT, COLOR: BLACK
- 2. MUST COMPLY WITH DIRECTIVE 2002/95/EC (ROHS)
- 3 ALL POLARIZATION KEYS SHOWN FOR REF ONLY.
- 4 CIRCUIT I.D.
- 5 CIRCUIT "L3" IS BLOCKED TO PREVENT CONTACT INSTALLATION.
- 6 TE PART NUMBER
- 7 TE LOGO
- 8. THIS PRODUCT HAS NOT COMPLETED VALIDATION TESTING



SCALE 3:1



VIEW A

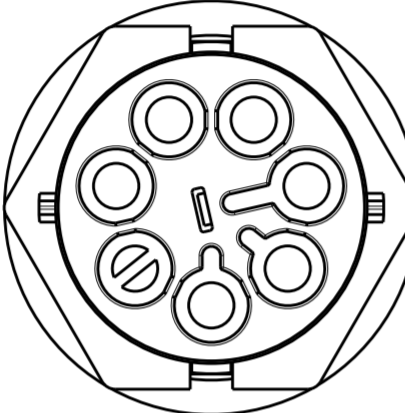
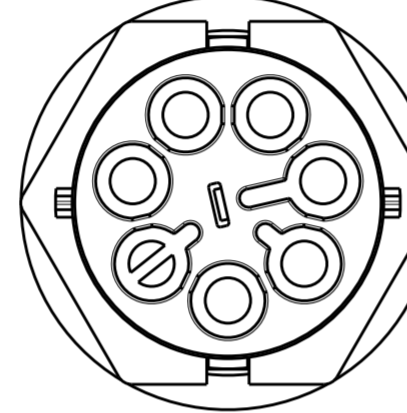
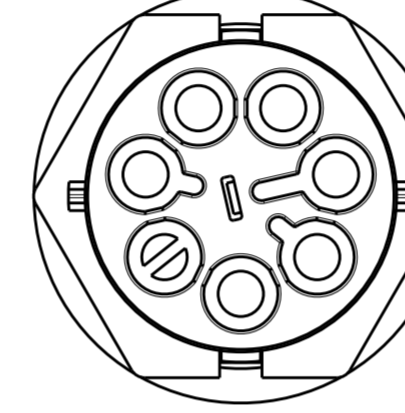
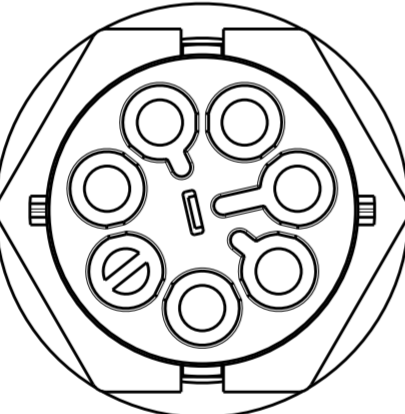
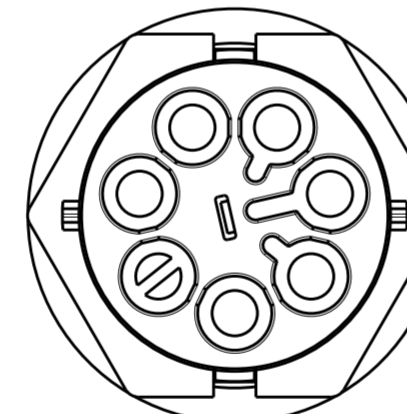



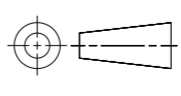
| | | |
|-------------------|---|-------------|
| E | FREE HANGING PIN. SEALED NECTOR M, 6 POSN | 2213241-5 |
| D | FREE HANGING PIN. SEALED NECTOR M, 6 POSN | 2213241-4 |
| C | FREE HANGING PIN. SEALED NECTOR M, 6 POSN | 2213241-3 |
| B | FREE HANGING PIN. SEALED NECTOR M, 6 POSN | 2213241-2 |
| A | FREE HANGING PIN. SEALED NECTOR M, 6 POSN | 2213241-1 |
| POLARIZATION TYPE | DESCRIPTION | PART NUMBER |

| THIS DRAWING IS A CONTROLLED DOCUMENT. | | DWN J. SHAFFER 21 JAN 2014 | | TE Connectivity | |
|--|-------|----------------------------|--|------------------------------|--|
| DIMENSIONS: mm | | CHK M. LUKSIC 21 JAN 2014 | | NAME | |
| TOLERANCES UNLESS OTHERWISE SPECIFIED: | | APVD M. LUKSIC 21 JAN 2014 | | PRODUCT SPEC | |
| 0 PLC | ± | 108-133014 | | APPLICATION SPEC | |
| 1 PLC | ±0.2 | 114-32111 | | WEIGHT | |
| 2 PLC | ±0.13 | Customer Drawing | | SCALE 2:1 SHEET 1 OF 2 REV A | |
| 3 PLC | ± | | | | |
| 4 PLC | ± | | | | |
| ANGLES | ± | | | | |
| FINISH | - | | | | |
| NOTE 1 | - | | | | |

THIS DRAWING IS UNPUBLISHED. RELEASED FOR PUBLICATION 20
 © COPYRIGHT 20 BY - ALL RIGHTS RESERVED.

| REVISIONS | | | | |
|-----------|-----|-------------|------|------|
| P | LTR | DESCRIPTION | DATE | APVD |
| - | | SEE SHEET 1 | - | - |
| | | | | |
| | | | | |

| POLARIZATION TYPES | | |
|---|--|---|
| POLARIZATION TYPE "A" | POLARIZATION TYPE "B" | POLARIZATION TYPE "C" |
|  |  |  |
| PN: 2213241-1 | PN: 2213241-2 | PN: 2213241-3 |
| POLARIZATION TYPE "D" | POLARIZATION TYPE "E" | |
|  |  | |
| PN: 2213241-4 | PN: 2213241-5 | |

| | | | | |
|---|--|----------------------------------|---|----------------|
| THIS DRAWING IS A CONTROLLED DOCUMENT. | | DWN J. SHAFFER 21 JAN 2014 |  TE Connectivity | |
| DIMENSIONS: mm | | CHK M. LUKSIC 21 JAN 2014 | | |
| TOLERANCES UNLESS OTHERWISE SPECIFIED: | | APVD M. LUKSIC 21 JAN 2014 | NAME FREE HANGING PIN HOUSING: SEALED NECTOR M-LINE, 6 POSN | |
|  | | PRODUCT SPEC 108-133014 | RESTRICTED TO | |
| MATERIAL NOTE 1 | | APPLICATION SPEC 114-32111 | SIZE A2 | CAGE CODE - |
| | | WEIGHT - | DRAWING NO C-2213241 | SCALE 2:1 |
| | | Customer Drawing | SHEET 2 | OF 2 |
| | | | REV A | |