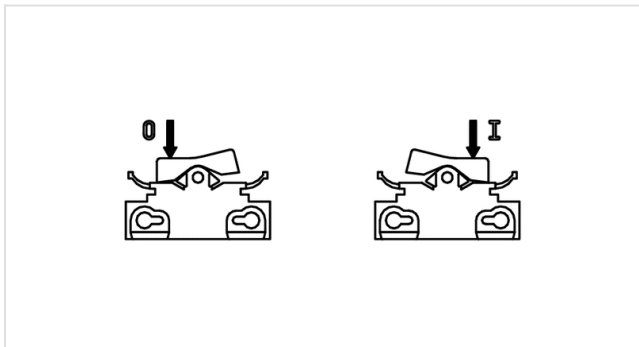
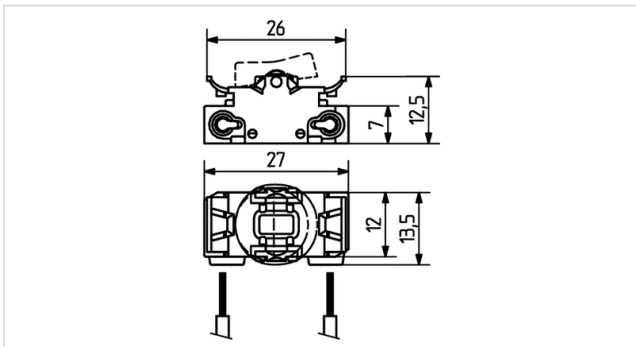




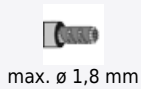
Technik für Licht
Komponenten · Optik · Automation

43.409.U614

Rocker switches
Single Pole Snap in mounting



Color: weiß
FC: 50
Part no.: 43.409.U614.50



Description

- UL Recognized Component: approved only with round and square rockers.
- Protected against electric shock after insertion of conductor. Additional cover not required.
- Stripping of wires: 7 mm
- cURus: File E-101848 (only with round or square rockers)

Product name:	Switch
Color:	white
Mounting method 1:	Snap in fixing
Material:	Contacts: silver / silver
Weight:	3
Approval:	cURus
Material thickness:	0.5 - 1.0
Switch - Components:	Housing
Pkg.:	1000