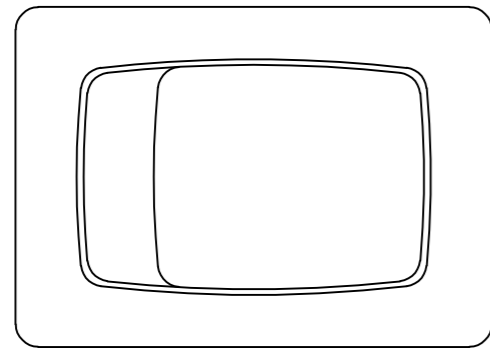
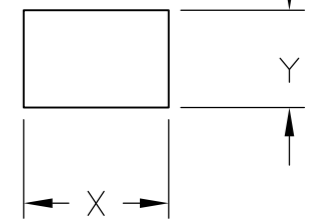


THIS DRAWING IS UNPUBLISHED. RELEASED FOR PUBLICATION
 © COPYRIGHT - By - ALL RIGHTS RESERVED.

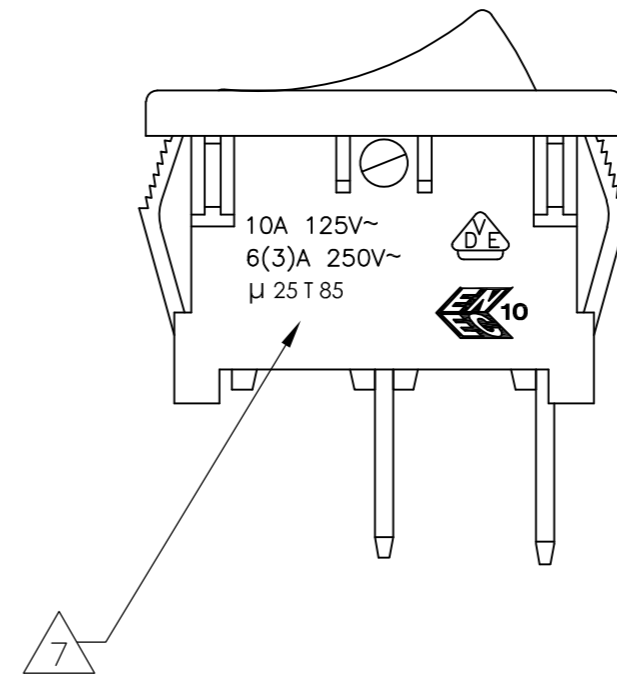
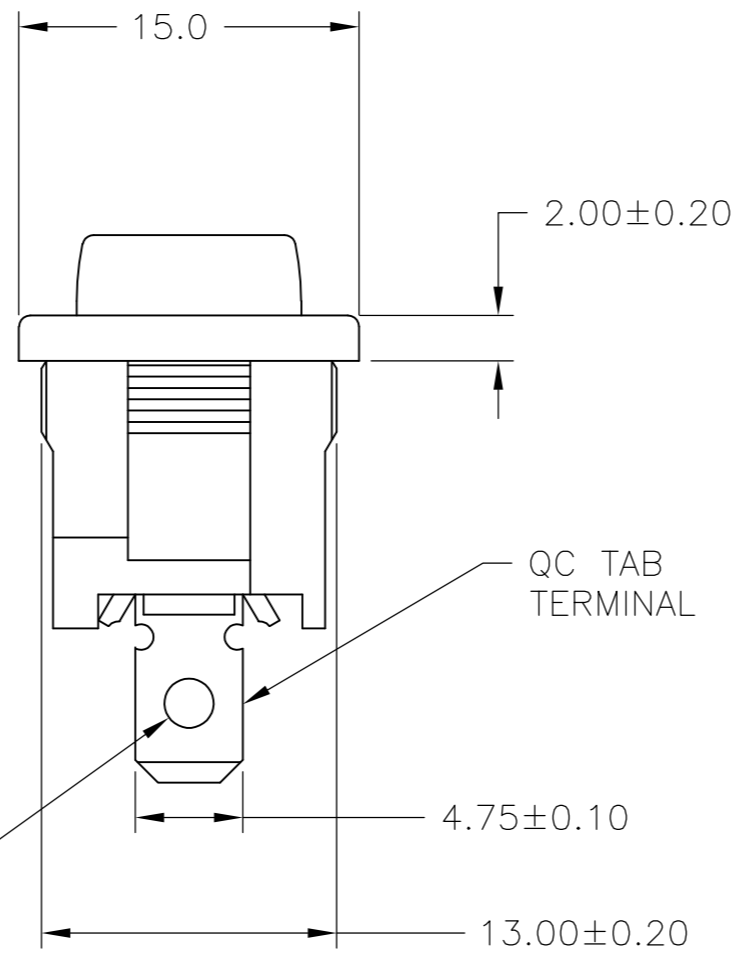
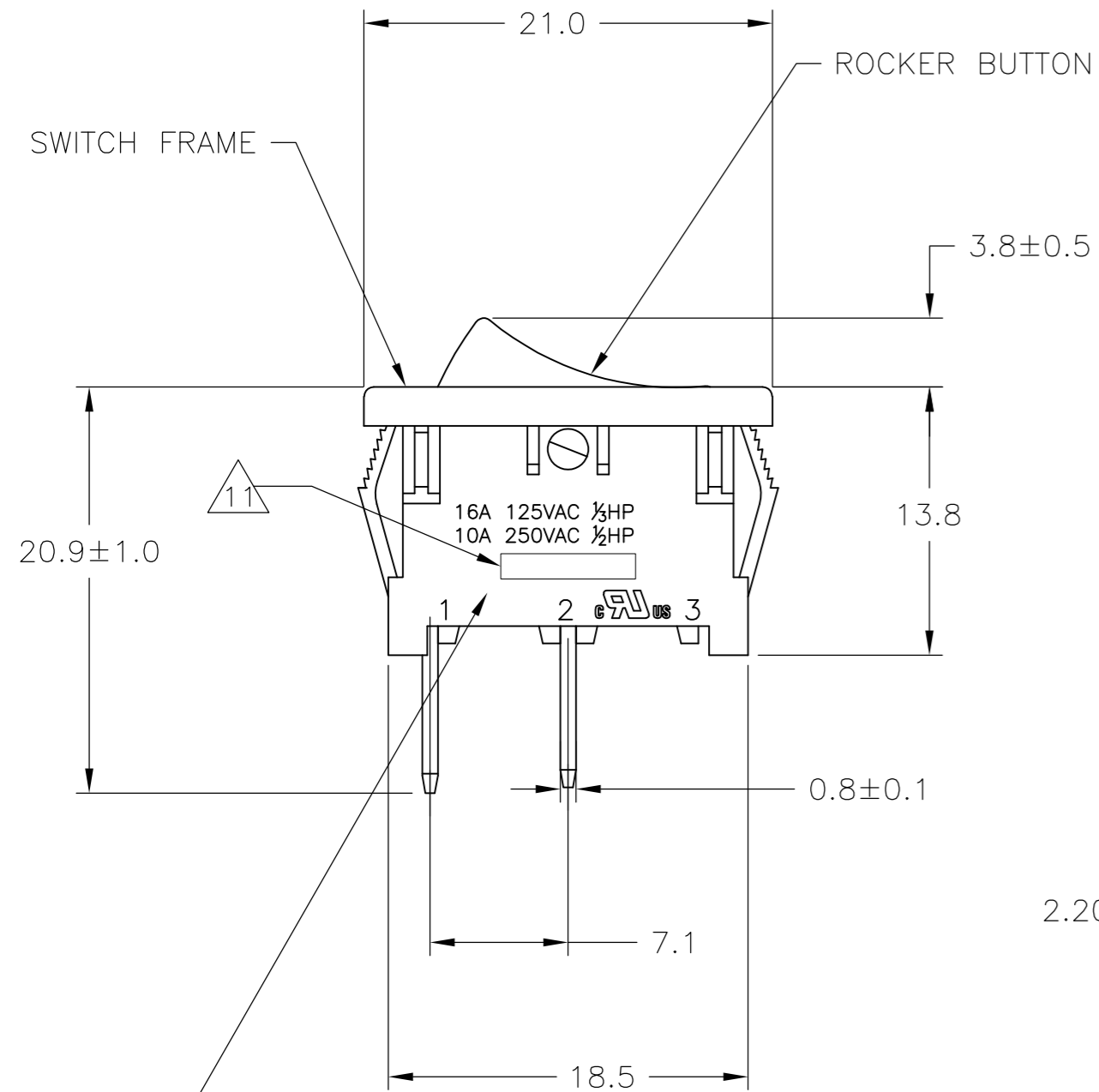
LOC	DIST	REVISIONS			
P	LTR	DESCRIPTION	DATE	DWN	APVD
AD	00	J4	REVISED PER ECO-11-004587	11MAR11	RK HMR



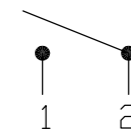
PANEL CUT OUT



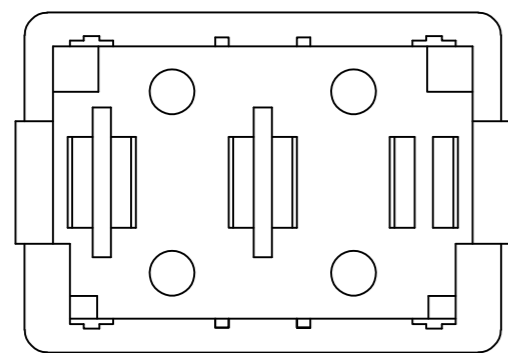
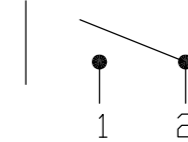
2.00-3.00	19.8-0.1	13.0+0.1
1.25-2.00	19.4-0.1	13.0+0.1
0.75-1.25	19.2-0.1	13.0+0.1
PANEL THICKNESS	X	Y



SWITCH FUNCTION A1
CIRCUIT DIAGRAM



SWITCH FUNCTION A3
CIRCUIT DIAGRAM

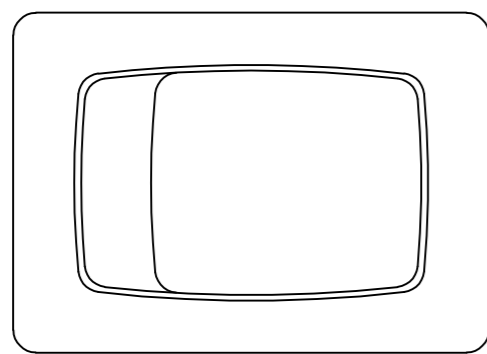


1571076-9 SHOWN

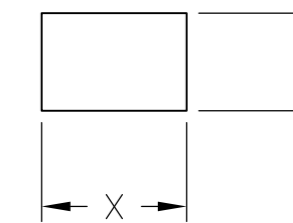
THIS DRAWING IS A CONTROLLED DOCUMENT.		DWN M.BINNER	25FEB2002	TE TE Connectivity	
DIMENSIONS: MM		CHK J.MOSIER	APVD -		
TOLERANCES UNLESS OTHERWISE SPECIFIED:		PRODUCT SPEC NOT APPLICABLE		SIZE A2	CAGE CODE 00779
0 PLC ± -		APPLICATION SPEC NOT APPLICABLE		DRAWING NO C=1571076	RESTRICTED TO -
1 PLC ± 0.30		WEIGHT -		SCALE 3:1	SHEET 1 of 4
2 PLC ± 0.05		MATERIAL 1		REV J4	
3 PLC ± -		FINISH 2			
4 PLC ± -					
ANGLES ± -					
CUSTOMER DRAWING					

THIS DRAWING IS UNPUBLISHED. RELEASED FOR PUBLICATION
 © COPYRIGHT - By - ALL RIGHTS RESERVED.

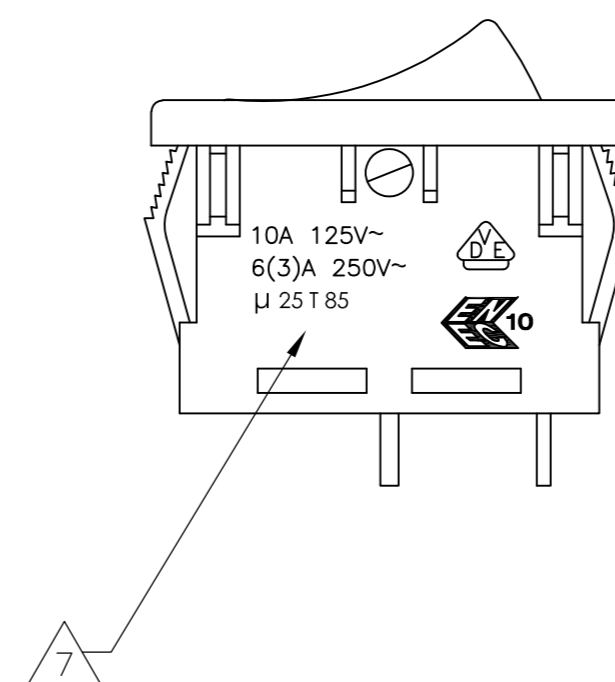
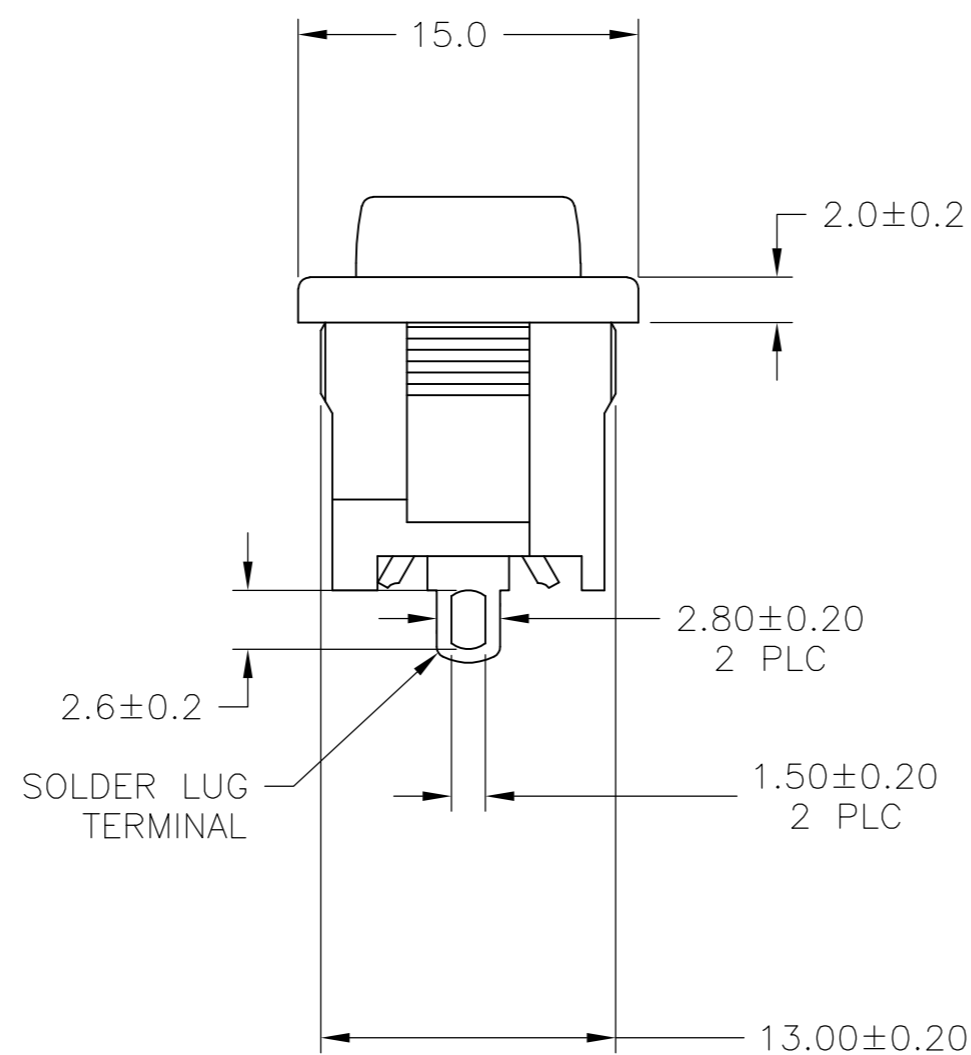
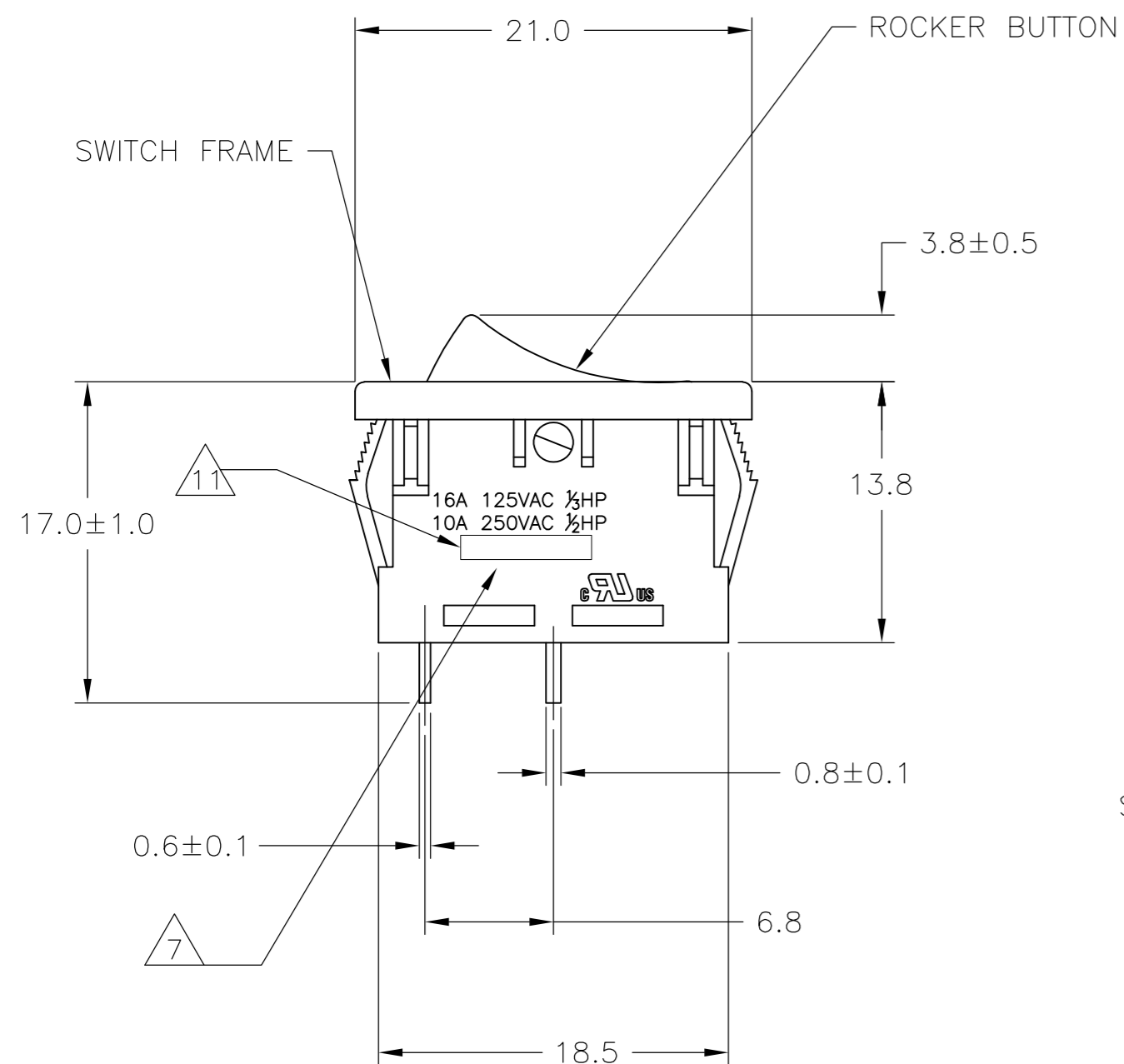
LOC	DIST	REVISIONS			
P	LTR	DESCRIPTION	DATE	DWN	APVD
-	-	SEE SHEET 1	-	-	-



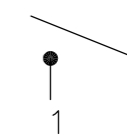
PANEL CUT OUT



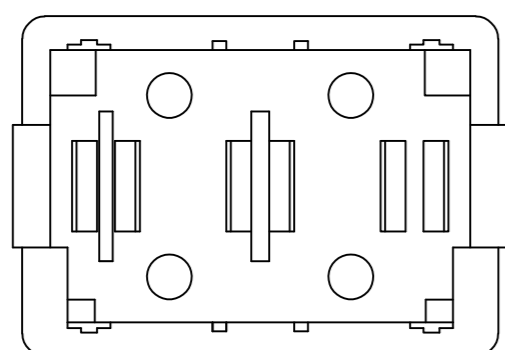
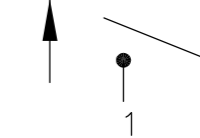
2.00-3.00	19.8-0.1	13.0+0.1
1.25-2.00	19.4-0.1	13.0+0.1
0.75-1.25	19.2-0.1	13.0+0.1
PANEL THICKNESS	X	Y



SWITCH FUNCTION A1
CIRCUIT DIAGRAM



SWITCH FUNCTION A3
CIRCUIT DIAGRAM

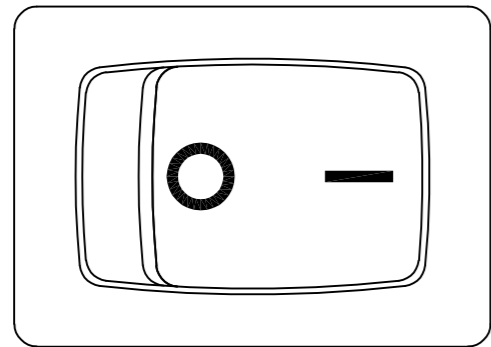


1-1571076-2 SHOWN

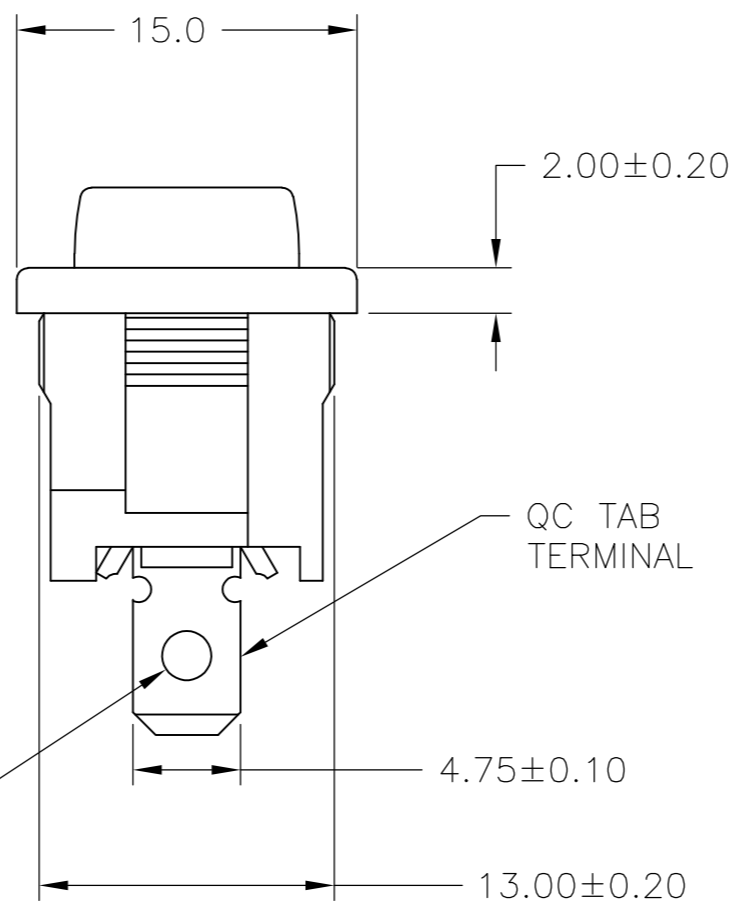
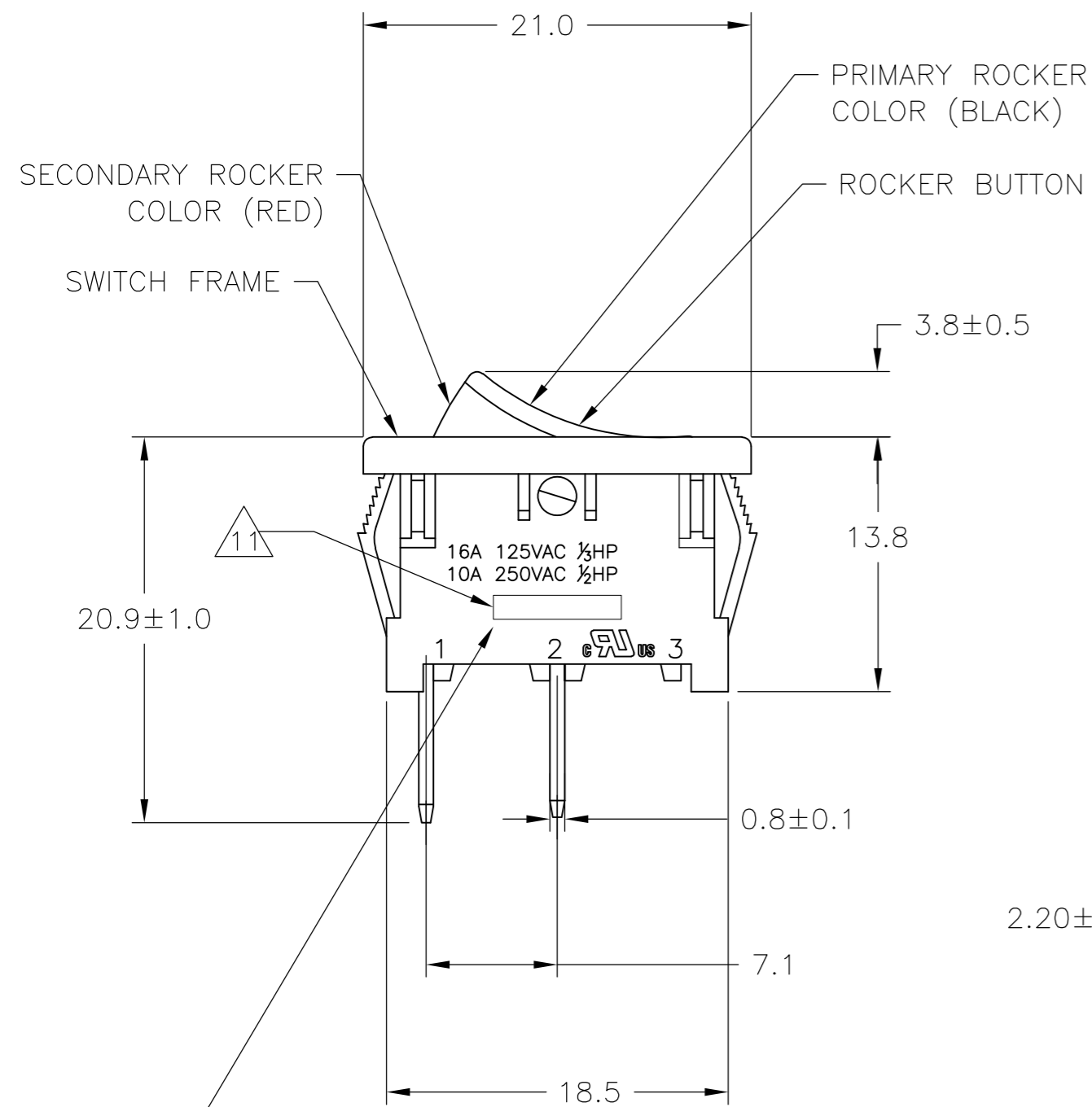
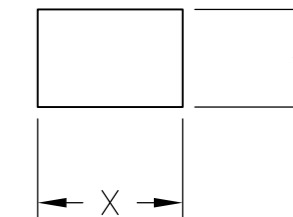
THIS DRAWING IS A CONTROLLED DOCUMENT.		DWN M.BINNER	25FEB2002		
DIMENSIONS: MM		CHK J.MOSIER	-		
TOLERANCES UNLESS OTHERWISE SPECIFIED:		APVD -	-	NAME POWER ROCKER SWITCH, 13.0mm X 19.2mm PANEL CUT-OUT SIZE, SINGLE POLE, SINGLE THROW, TWO TERMINALS, NON-ILLUMINATED	
0 PLC ± -		PRODUCT SPEC	NOT APPLICABLE	SIZE	RESTRICTED TO
1 PLC ± 0.30		APPLICATION SPEC	NOT APPLICABLE	A2	-
2 PLC ± 0.05		WEIGHT	-	CAGE CODE	DRAWING NO
3 PLC ± -		CUSTOMER DRAWING	SCALE 3:1	00779	C=1571076
4 PLC ± -		FINISH	2	SHEET	2 OF 4
ANGLES ± -				REV	J4
MATERIAL					

THIS DRAWING IS UNPUBLISHED. RELEASED FOR PUBLICATION
 © COPYRIGHT - By - ALL RIGHTS RESERVED.

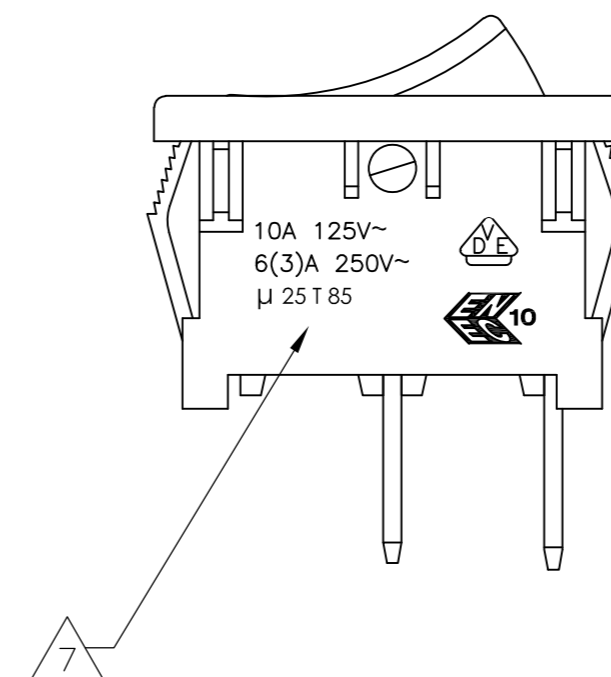
LOC	DIST	REVISIONS			
P	LTR	DESCRIPTION	DATE	DWN	APVD
AD	00	SEE SHEET 1	-	-	-



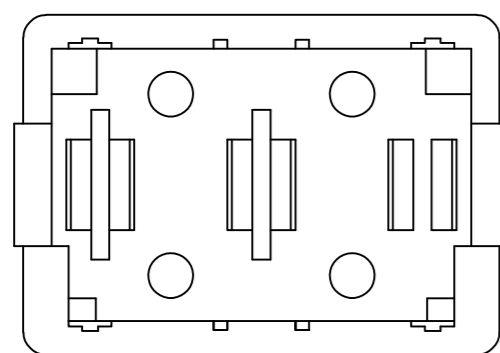
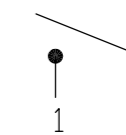
PANEL CUT OUT



2.00-3.00	19.8-0.1	13.0+0.1
1.25-2.00	19.4-0.1	13.0+0.1
0.75-1.25	19.2-0.1	13.0+0.1
PANEL THICKNESS	X	Y



SWITCH FUNCTION A2
CIRCUIT DIAGRAM



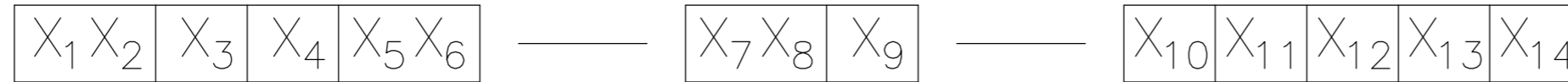
6-1571076-7 SHOWN
(WITH DUAL COLOR ROCKER BUTTON)

THIS DRAWING IS A CONTROLLED DOCUMENT.		DWN M.BINNER 25FEB2002		
DIMENSIONS: MM		CHK J.MOSIER		
TOLERANCES UNLESS OTHERWISE SPECIFIED:		APVD -	NAME POWER ROCKER SWITCH, 13.0mm X 19.2mm	
0 PLC ± -	1 PLC ± 0.30	PRODUCT SPEC NOT APPLICABLE	PANEL CUT-OUT SIZE, SINGLE POLE, SINGLE THROW, TWO TERMINALS, NON-ILLUMINATED	
2 PLC ± 0.05	3 PLC ± -	APPLICATION SPEC NOT APPLICABLE	SIZE A2	CAGE CODE 00779
4 PLC ± -	ANGLES ± -	FINISH 2	DRAWING NO C=1571076	RESTRICTED TO -
MATERIAL 1	FINISH 2	WEIGHT -	SCALE 3:1	SHEET 3 OF 4
CUSTOMER DRAWING			REV J4	

THIS DRAWING IS UNPUBLISHED. RELEASED FOR PUBLICATION
 © COPYRIGHT - By - ALL RIGHTS RESERVED.

LOC		DIST		REVISIONS			
P	LTR	DESCRIPTION	DATE	DWN	APVD		
-	-	SEE SHEET 1	-	-	-		

LEGACY PART NUMBER



SWITCH TYPE: X1 X2 = PR - POWER ROCKER

NOMINAL PANEL CUT OUT SIZE: X3 = A - 13.0x19.2

NUMBER OF POLES: X4 = S - SINGLE

SWITCH FUNCTION: X5 X6 =

A1 - ON-OFF, WITH OPAQUE, SINGLE-COLOR ROCKER BUTTON

A2 - ON-OFF, WITH OPAQUE, DUAL-COLOR ROCKER BUTTON

A3 - (ON)-OFF, WITH OPAQUE, SINGLE-COLOR ROCKER BUTTON

CURRENT RATING: X7 X8 = 16 - △6

TERMINAL TYPE: X9 = E - QC TAB

L - SOLDER LUG

FRAME COLOR: X10 = B - BLACK

W - WHITE

ROCKER COLOR: X11 = B - BLACK

G - GREEN

R - RED

W - WHITE

SECONDARY ROCKER COLOR: X12 = ∅ - NOT APPLICABLE

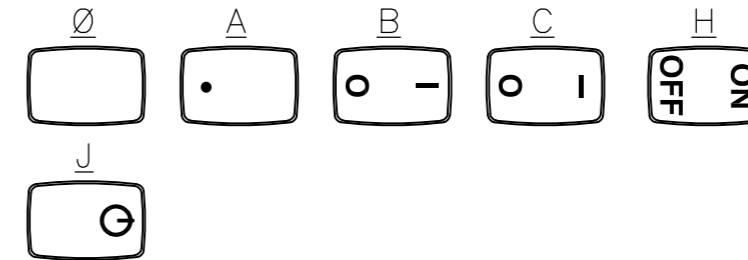
B - BLACK

G - GREEN

R - RED

W - WHITE

LEGEND TEXT PATTERN: X13 =



LEGEND TEXT COLOR: X14 = ∅ - NOT APPLICABLE

G - GREEN

R - RED

B - BLACK

W - WHITE

1 MATERIALS:
 ROCKER BUTTON & HOUSING FRAME: NYLON 66, UL 94 V-2.
 TERMINAL, ACTIVE CONTACTOR: COPPER ALLOY PER ASTM B152/B152M
 PLUNGER: COPPER ALLOY PER ASTM B036
 SPRING: STEEL WIRE PER ASTM A228/A228M
 CONTACT: SILVER-TIN OXIDE
 BOTTOM PLATE(SOLDER LUG OPTION): PHENOLIC LAMINATE

2 FINISH:
 TERMINAL, ACTIVE CONTACTOR: 1.0µm MIN SILVER
 PLUNGER: 3.0µm MIN NICKEL

3 ELECTRICAL SPECIFICATIONS:
 CURRENT AND VOLTAGE: **6**
 CONTACT RESISTANCE (INITIAL): <100mΩ (5V, 1A DC)
 DIELECTRIC STRENGTH (INITIAL): >1000 VAC, 1 MINUTE
 INSULATION RESISTANCE (INITIAL): >100MΩ MIN (500VDC BETWEEN OPEN CONTACTS)
 INRUSH CURRENT: 50A / 3msec (CAPACITIVE LOAD)
 ELECTRICAL LIFE ENDURANCE: >6000 OPERATIONS,
 TEMPERATURE RISE AT TERMINALS: <30°C, 6000 OPERATIONS (AMBIENT CONDITIONS: 25±2°C AND 65±5%R.H)
 DEGREE OF PROTECTCION: IP40

4 MECHANICAL SPECIFICATIONS:
 ACTUATING FORCE: 150g MIN, 650g MAX
 OPERATING LIFE ENDURANCE: >100,000 OPERATIONS
 TERMINAL RETENTION FORCE: >2.5kg- SOLDER LUG
 >6.8kg- QC TAB

5 ENVIRONMENTAL SPECIFICATIONS:
 AMBIENT TEMPERATURE: -20°C TO +85°C
 HUMIDITY: MAX 85%
 SALT SPRAY: NO REMAKABLE RUST IN METAL PARTS. (5%SALT / 35°C 24HRS)
 SHOCK: NO MECHANICAL DEFECT OR DAMAGE. (100g / 10MSEC/ X,Y,Z 3 TIMES)
 VIBRATION: NO MECHANICAL DEFECT OR DAMAGE. (10-55Hz /1.5mm/ X,Y,Z 2HRS)
 DEGREE OF PROTECTION: IP40

6 UL: 16A@125VAC 1/3HP / 10A@250VAC 1/2HP
 ENEC: 10A 125V~, 6(3)A 250V~ µ25T85.

7 ELECTRICAL RATINGS, AGENCY APPROVAL LOGOS, TERMINAL IDENTIFICATION NUMBERS, MOLDED APPROXIMATELY AS SHOWN ON THE SIDE OF THE SWITCH HOUSING.

8 COMPONENT RECOGNIZED TO US AND CANADIAN STANDARDS, UL FILE NO. E46765.

9 COMPONENT RECOGNIZED TO EUROPEAN STANDARDS, (ENEC & VDE). MARKS LICENSE NO. 40006757.

10 ROHS 2002/95/EC COMPLIANT.

11 TE CONNECTIVITY LOGO LOCATED APPROXIMATELY AS SHOWN

3	PRASA2-16F-BBRBR	6-1571076-7
2	PRASA1-16L-BR000	6-1571076-6
1	PRASA1-16F-BR000	6-1571076-5
2	PRASA1-16L-BR0BW	3-1571076-0
1	PRASA3-16F-BB000	2-1571076-6
1	PRASA3-16F-BB0JW	2-1571076-1
1	PRASA1-16F-BB0HW	2-1571076-0
2	PRASA1-16L-BB0CW	1-1571076-4
2	PRASA1-16L-BB0BW	1-1571076-3
2	PRASA1-16L-BB000	1-1571076-2
1	PRASA1-16F-BB0CW	1-1571076-1
1	PRASA1-16F-BB0BW	1-1571076-0
1	PRASA1-16F-BB000	1571076-9

SHEET REF.	LEGACY PART NUMBER	PART NUMBER
------------	--------------------	-------------

THIS DRAWING IS A CONTROLLED DOCUMENT.		DWN M.BINNER	25FEB2002	TE TE Connectivity	
DIMENSIONS: MM		CHK J.MOSIER	APVD -		
TOLERANCES UNLESS OTHERWISE SPECIFIED:		PRODUCT SPEC		POWER ROCKER SWITCH, 13.0mm X 19.2mm	
0 PLC ± -		NOT APPLICABLE		PANEL CUT-OUT SIZE, SINGLE POLE, SINGLE THROW,	
1 PLC ± 0.30		APPLICATION SPEC		TWO TERMINALS, NON-ILLUMINATED	
2 PLC ± 0.05		NOT APPLICABLE		SIZE	RESTRICTED TO
3 PLC ± -		WEIGHT		A2	-
4 PLC ± -		CUSTOMER DRAWING		CAGE CODE	DRAWING NO
ANGLES ± -		SCALE		00779	1571076
FINISH		SHEET		3:1	4 OF 4
1		REV		J4	