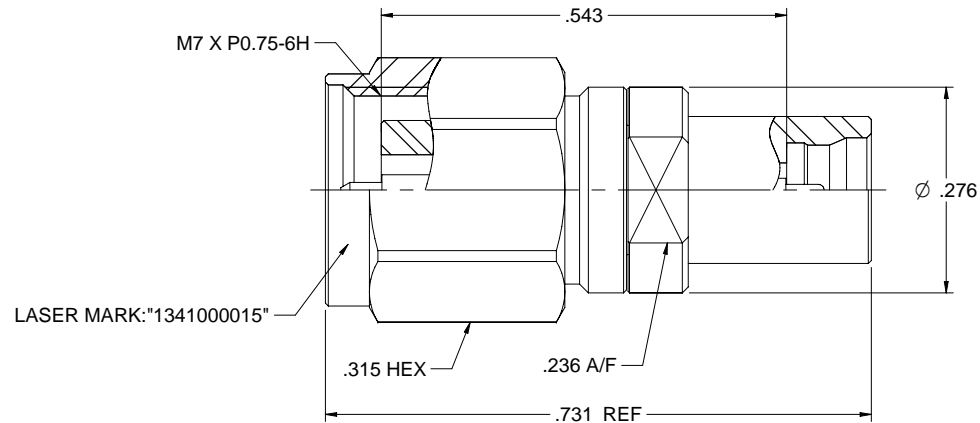


REV	ECO	DATE
001	ECO-17-0022	11/28/2017

MODEL NO.	PACKAGING
134-1000-015	ONE PCS PER BAG



NOTES: UNLESS OTHERWISE SPECIFIED

1. MATERIAL & FINISH:

- 1.1 BODY, CONTACT BODY & SHELL: PASSIVATED STAINLESS STEEL
- 1.2 CONTACT PIN : GOLD PLATED BERYLLIUM COPPER
- 1.3 INSULATOR: ULTEM 1000 AMBER
- 1.4 C RING: BERYLLIUM COPPER
- 1.5 GASKET: SILICONE RED

2. ELECTRICAL:

- 2.1 IMPEDANCE: 50 OHMS
- 2.2 FREQUENCY RANGE: 0-40 GHz
- 2.3 RETURN LOSS: -20DB MAX
- 2.4 CONTACT RESISTANCE: CENTER CONTACT: 6 MILLIOHMS MAX  
OUTERR CONTACT: 2.5 MILLIOHMS MAX
- 2.5 INSULATION RESISTANCE: 5000 MOHM MIN

3. MECHANICAL:

- 3.1 ENGAGEMENT / DISENGAGEMENT FORCE: 0.23 NM MAX (2.4MM)  
45 N MAX (SMP) / 9 N MAX (SMP)
- 3.2 COUPLING PROOF TORQUE: 1.65 NM MIN
- 3.3 COUPLING NUT RETENTION: 267 N MIN
- 3.4 CONTACT RETENTION: 20 N MIN
- 3.5 DURABILITY: 500 CYCLES MIN

4. ENVIRONMENT:

- 4.1 THERMAL SHOCK: MIL-STD-202, METHOD 107, CONDITION B.
- 4.2 OPERATING TEMPERATURE: -55 TO 125°C
- 4.3 SALT SPRAY: MIL-STD-202, METHOD 101, CONDITION B
- 4.4 SHOCK: MIL-STD-202, METHOD 213, CONDITION I
- 4.5 VIBRATION: MIL-STD-202, METHOD 204, CONDITION D
- 4.6 MOISTURE RESISTANCE: MIL-STD-202, METHOD 106

	Model No. 134-1000-015	<b>Johnson</b>	
	 2011/65/EU	Part: ADAPTER ASSEMBLY, 2.4mm PLUG TO SMP PLUG (LIMITED DETENT)	
 2011/65/EU	 2011/65/EU	Drawing No. 134-1000-015	Rev. 001
 2011/65/EU	Date: 10/27/2017	Size: C	Do NOT SCALE DRAWINGS NONE
 2011/65/EU	Design: Betty Yu	Drawing No. 134-1000-015	Sheet 1 of 1