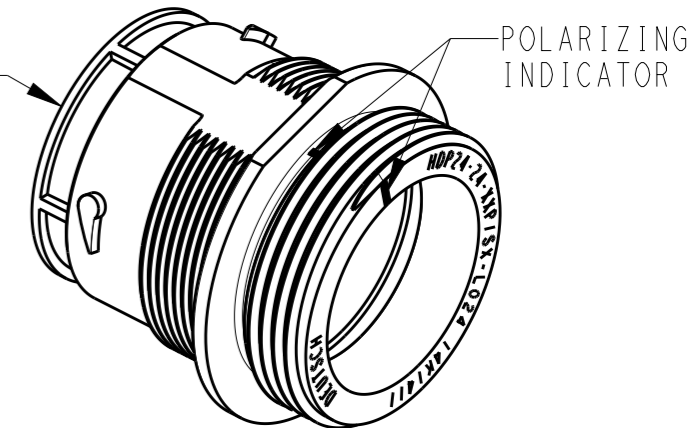
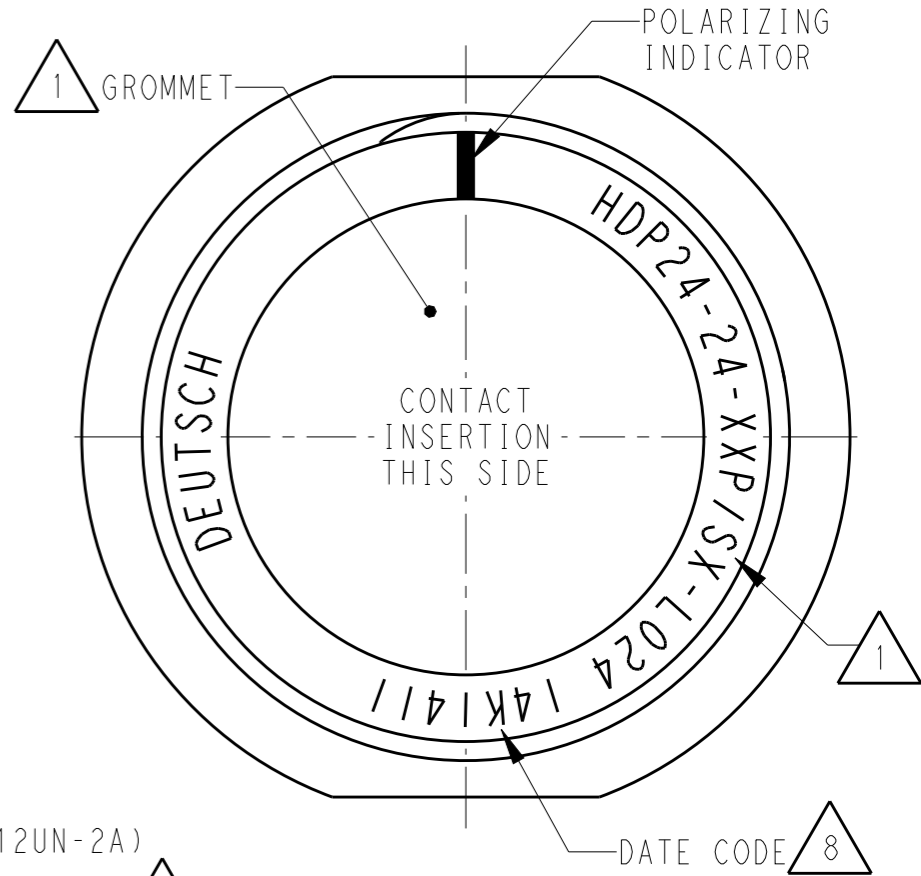
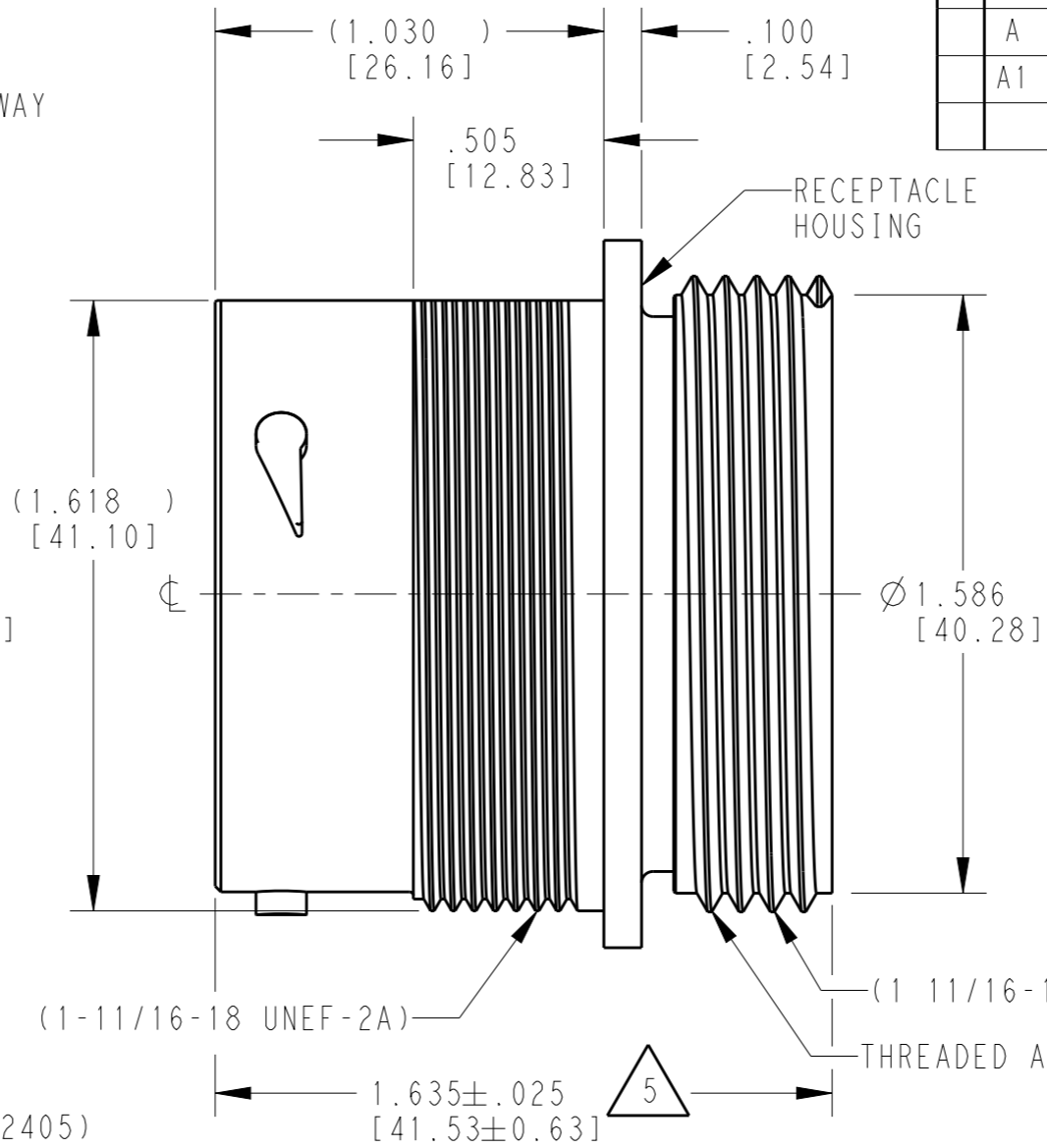
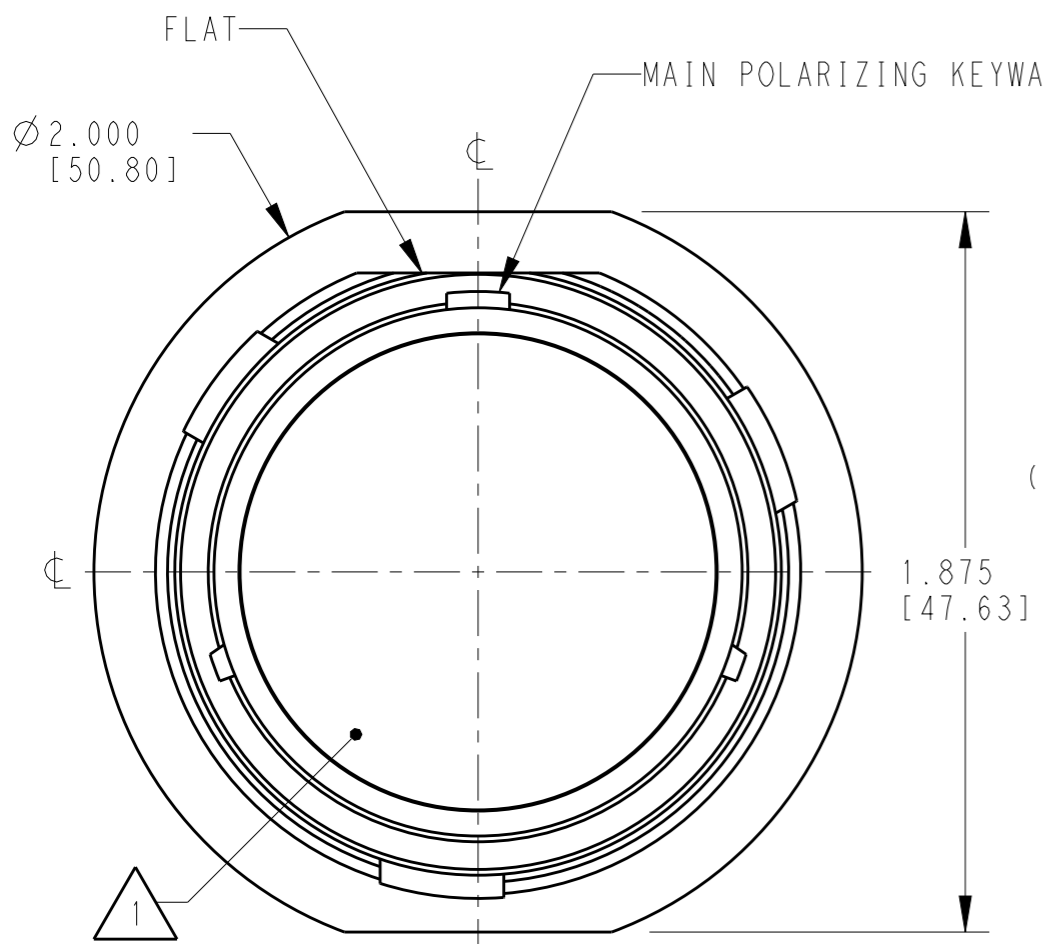


| LOC | DIST | REVISIONS | | | |
|-----|------|-------------|-----------------------------|-----------|-------|
| P | LTR | DESCRIPTION | DATE | DWN | APVD |
| | | NC | NEW RELEASE PER E.O. P21414 | 24AUG2012 | IG DM |
| | | A | REVISED PER ECO-14-019072 | 23FEB2015 | JA DM |
| | | A1 | REVISED PER ECO-16-013285 | 08SEP2016 | DD DM |



- 6. RECEPTACLE IS SUPPLIED WITH DUST CAP (2415-001-2405)
- 5. NOTED DIMENSION DOES NOT INCLUDE GROMMET PROTRUSION.
- 4. MATERIAL: RECEPTACLE HOUSING: PA66 GF10 (BLACK)
 THREADED ADAPTER: PA66 GF10 (GREEN, GRAY, BLUE)
 GROMMET: SILICONE (ORANGE-RED)
- 3. SEE 0425-021-0000 APPLICATION SPECIFICATION
 A. RECOMMENDED WIRE INSULATION RANGE
 B. CONTACT REMOVAL TOOLS
 C. RECOMMENDED MOUNTING HOLE & PANEL THICKNESS
 D. MOUNTING HARDWARE & MOUNTING TORQUE.

- 8. DATE CODE: IDENTIFIES THE YEAR, MONTH, DAY AND HOUR OF ASSEMBLY.
 YEAR: FIRST AND SECOND DIGITS. (14 = 2014)
 MONTH: THIRD DIGIT, EXCLUDING I. A = JAN., B = FEB., C = MARCH... (K = OCTOBER)
 DAY: FOURTH AND FIFTH DIGITS (14 = 14th DAY)
 HOUR: SIXTH AND SEVENTH DIGITS (11 = 11AM)
- 7. PART MODIFICATION: THREADED ADAPTER
 ACCEPT BACKSHELL: 2428-024-2405

- 2. THIS RECEPTACLE MATES WITH HDP26-24-XXP/SX-XXXX PLUG
 X = SEAL TYPE (N,T,E)
 XX = INSERT ARRANGEMENT
 XXXX = MODIFICATION
- 1. SEE CUSTOMER DRAWING, 0425-014-2400 FOR AVAILABLE INSERT ARRANGEMENTS AND PART NUMBERS.

NOTES:

| | | | | |
|---|------------|---------------------------------------|--|-----------------|
| THIS DRAWING IS A CONTROLLED DOCUMENT. | | DWN 13 JUL 2012 ILINA GRANICHAROVA | TE Connectivity | |
| DIMENSIONS: INCHES [mm] | | CHK 23 AUG 2012 ILINA GRANICHAROVA | | |
| TOLERANCES UNLESS OTHERWISE SPECIFIED: | | APVD 23 AUG 2012 DAVID MEYER | NAME RECEPTACLE, THREADED SIZE 24, -L024 MOD HDP SERIES | |
| 0 PLC ± 1 PLC ± 2 PLC ± 3 PLC ±.015 [0.38] 4 PLC ± ANGLES ±0°30'0" | | PRODUCT SPEC 0425-021-0000 | APPLICATION SPEC 3 | |
| MATERIAL 4 | FINISH N/A | WEIGHT | SIZE A3 | CAGE CODE 4AFU8 |
| Customer Drawing | | DRAWING NO. HDP24-24-XXP/SX-L024 | | RESTRICTED TO |
| | | SCALE 2:1 | SHEET 1 OF 1 | REV A1 |