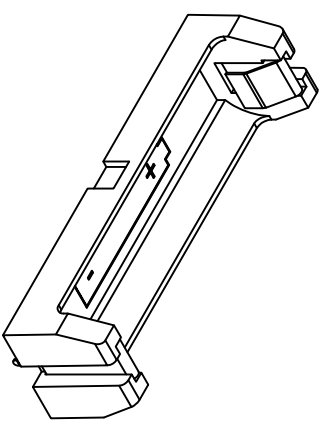


DATE	DESCRIPTION	REV.
10.08.13	CHANGE AS PER ECN 13-091	A
10.04.16	CHANGE AS PER ECN 16-091 (B1) WAS 2.145 [54.48] ±.010 [±0.25]	B



- NOTE:
1. BASE:
MATERIAL: HEAT RESISTANCE NYLON
STAINYL 46 OR EQUIVALENT
 2. CONTACT:
MATERIAL: .012 [0.30] THK STAINLESS STEEL
FINISH: TIN NICKEL PLATE

THIS DOCUMENT IS THE PROPERTY OF KEYSTONE ELECTRONICS CORP. AND SHALL NOT BE REPRODUCED, DISTRIBUTED OR USED AS A BASIS FOR MANUFACTURE WITHOUT PRIOR WRITTEN PERMISSION FROM KEYSTONE ELECTRONICS CORP.

KEYSTONE ELECTRONICS CORP.			
www.keystec.com • ASTORIA, N.Y. 11105-2017 • Tel (718) 956-8900			
PART NAME THM BATTERY HOLDER, AA			
MATERIAL AS NOTED			
FINISH AS NOTED		DRN BY NT	DATE 3.11.10
TOLERANCES	INCH [MM]	CODE	DWG NO.
DECIMAL	± .010 [± 0.25]	C	1015
ANGULAR	± 1°		
UNLESS OTHERWISE SPECIFIED			
App'D LN		SCALE	2X