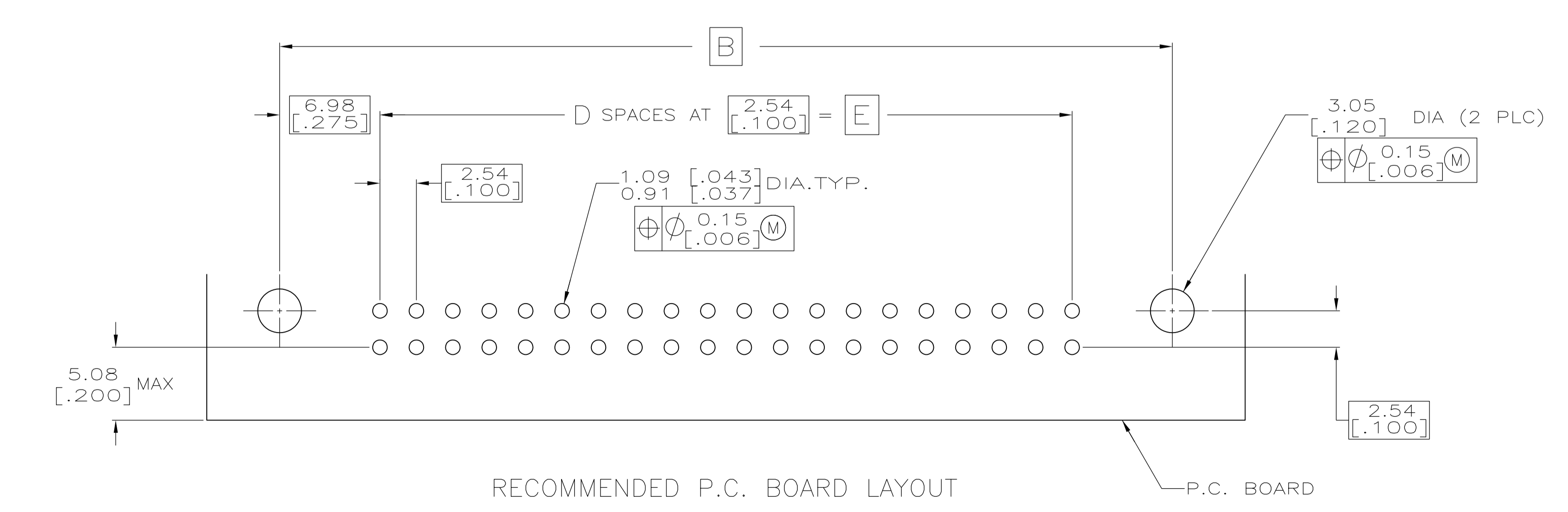
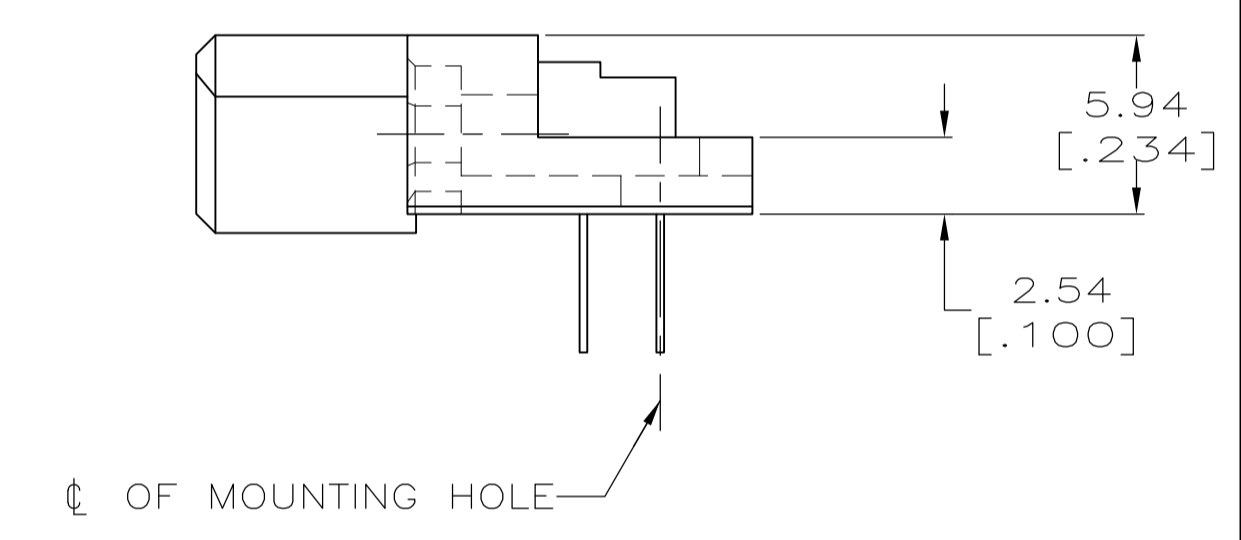
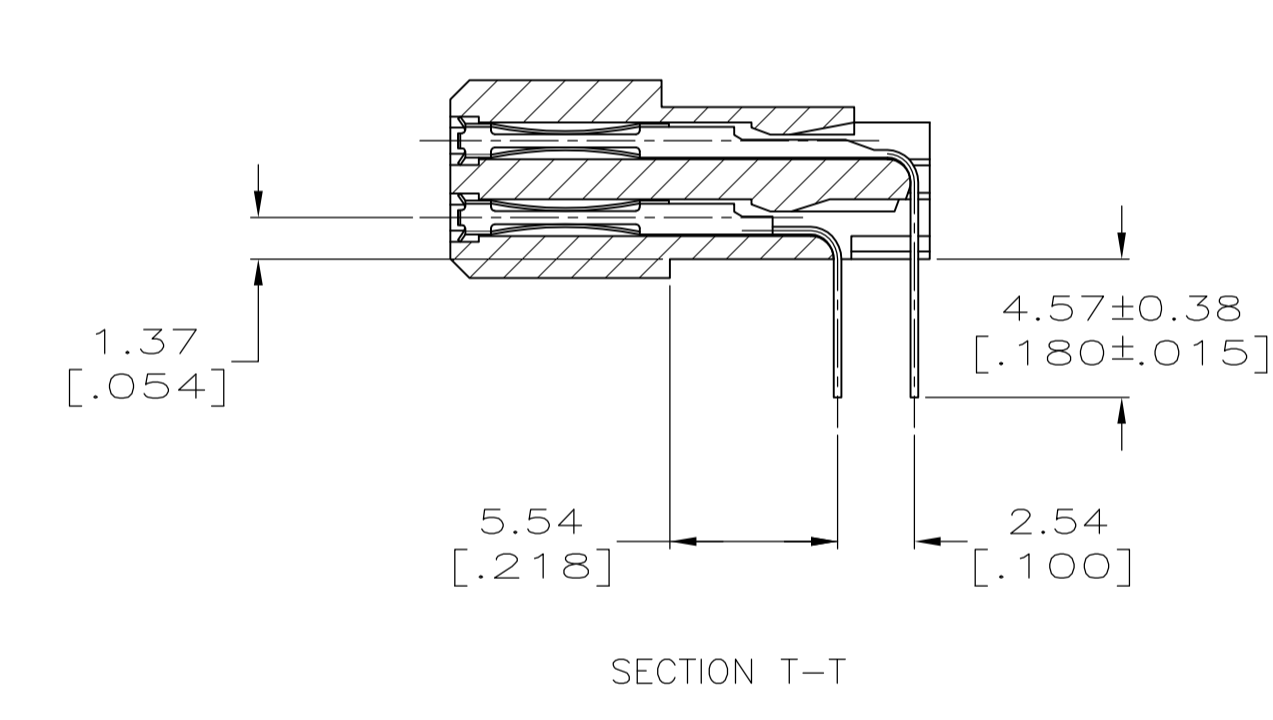
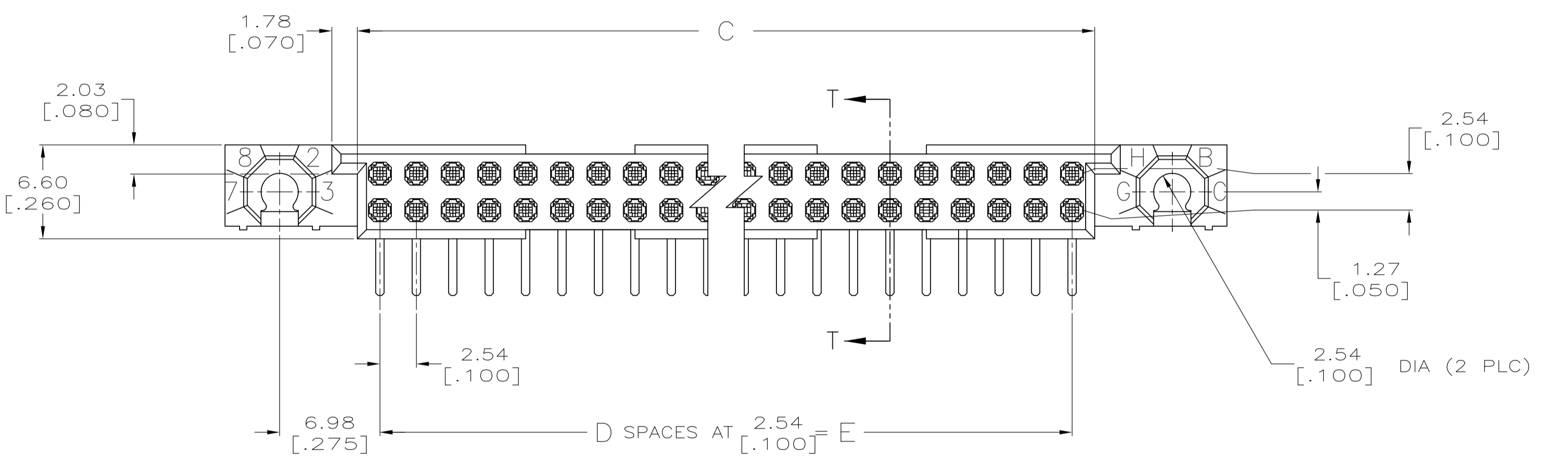
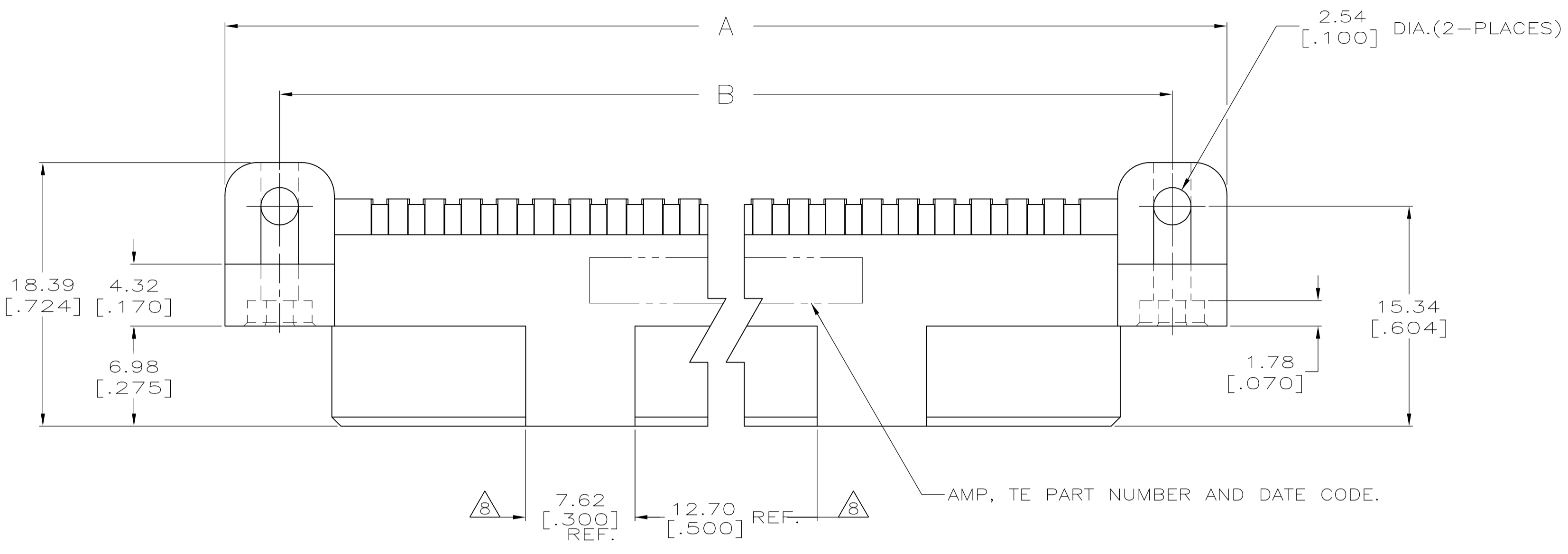


THIS DRAWING IS A CONTROLLED DOCUMENT. DWG NO. 532428



THIS INFORMATION IS CONFIDENTIAL AND PROPRIETARY TO TE CONNECTIVITY AND ITS AFFILIATES. IT IS NOT TO BE DISCLOSED, REPRODUCED, COPIED, OR TRANSMITTED IN ANY FORM OR BY ANY MEANS, WITHOUT AUTHORIZATION FROM TE CONNECTIVITY.

DWG: R.K. SEIFRIED		DATE: 06/14/90		MATERIAL: -		HEAT TREAT: -	
CHK: G.E.SKIPPER		DATE: 3/29/94		APVD: -		TE Connectivity	
NAME: HDI, 2 ROW, RECEPTACLE ASSEMBLY, 4.57 [.180] LONG SOLDER TAILS		SCALE: 4:1		SIZE: A1		SHEET: 1 of 2	
REVISION RECORD		DATE		DWG		APVD	
U REVISED PER ECO-16-009924		7JUL2016		DS		SY	
P LTR		REVISION RECORD		DATE		DWG	
APVD		DATE		DWG		APVD	
DIMENSIONS: mm [INCHES]		TOLERANCES UNLESS OTHERWISE SPECIFIED:		ANGLES: -		SURFACE TEXTURE: √	
0 PLC ± -		1 PLC ± -		2 PLC ± -		3 PLC ± 0.13 [.005]	
4 PLC ± -		5 PLC ± -		6 PLC ± -		7 PLC ± -	

- ① HOUSING MATERIAL: THERMOPLASTIC, COLOR-NATURAL, COLOR IS BLACK FOR P/N 1-532428-0.
- ② CONTACT MATERIAL: COPPER ALLOY.
- ③ FINISH: MATING AREA: MEETS THE PERFORMANCE REQUIREMENTS OF PRODUCT SPECIFICATION 108-9063; BASED ON TELCORDIA DR-1217-CORE APPLICATIONS IN UNCONTROLLED ENVIRONMENTS. SOLDER TAILS AREA: TIN-LEAD PLATED.
- ④ SOLDER TAILS MUST FIT HOLE PATTERN AS SHOWN ON THE RECOMMENDED P.C. BOARD LAYOUT.
- 5 DIMENSIONS IN BRACKETS ARE IN INCHES.
- ⑥ HOUSINGS WITH CENTER MOUNTING IS RECOMMENDED FOR ASSEMBLIES HAVING 75 CONTACTS PER ROW OR MORE.
- ⑦ PART NUMBER IS OBSOLETE.
- ⑧ QUANTITIES OF VOID CORING ARE DEPENDENT ON THE POSITION SIZE OF THE HOUSING.
- ⑨ OBSOLETE PARTS: OBSOLETE CIS STREAMLINING PER D.RENAUD/D.SINISI
- ⑩ FINISH: CONTACT FINISH: .00127-.00254 [.000050-.000100] NICKEL UNDERPLATE ALL OVER; .000762 [.000030] GOLD PLATE IN CONTACT AREA, TIN-LEAD PLATED POSTS.

⑩	226.06 [8.900]	89	229.21 [9.024]	240.03 [9.450]	247.65 [9.750]	180	4-532428-8
⑩	200.66 [7.900]	79	203.81 [8.024]	214.63 [8.450]	222.25 [8.750]	160	4-532428-6
⑩	251.46 [9.900]	99	254.61 [10.024]	265.43 [10.450]	273.05 [10.750]	200	4-532428-5
⑩	175.26 [6.900]	69	178.41 [7.024]	189.23 [7.450]	196.85 [7.750]	140	4-532428-3
⑩	149.86 [5.900]	59	153.01 [6.024]	163.83 [6.450]	171.45 [6.750]	120	4-532428-1
⑩	124.46 [4.900]	49	127.61 [5.024]	138.43 [5.450]	146.05 [5.750]	100	3-532428-9
⑩	99.06 [3.900]	39	102.21 [4.024]	113.03 [4.450]	120.65 [4.750]	80	3-532428-7
⑩	73.66 [2.900]	29	76.81 [3.024]	87.63 [3.450]	95.25 [3.750]	60	3-532428-5
⑩	60.96 [2.400]	24	64.11 [2.524]	74.93 [2.950]	82.55 [3.250]	50	3-532428-4
⑩	48.26 [1.900]	19	51.41 [2.024]	62.23 [2.450]	69.85 [2.750]	40	3-532428-3
⑦⑥	210.82 [8.300]	83	213.97 [8.424]	224.79 [8.850]	232.41 [9.150]	168	2-532428-1
⑦⑥	—	—	—	—	—	—	2-532428-0
⑦⑥	—	—	—	—	—	—	1-532428-9
⑥	226.06 [8.900]	89	229.21 [9.024]	240.03 [9.450]	247.65 [9.750]	180	1-532428-8
⑦⑥	—	—	—	—	—	—	1-532428-7
⑥	200.66 [7.900]	79	203.81 [8.024]	214.63 [8.450]	222.25 [8.750]	160	1-532428-6
⑥	251.46 [9.900]	99	254.61 [10.024]	265.43 [10.450]	273.05 [10.750]	200	1-532428-5
⑥	187.96 [7.400]	74	191.11 [7.524]	201.93 [7.950]	209.55 [8.250]	150	1-532428-4
⑥	175.26 [6.900]	69	178.41 [7.024]	189.23 [7.450]	196.85 [7.750]	140	1-532428-3
⑥	—	—	—	—	—	—	1-532428-2
⑥	149.86 [5.900]	59	153.01 [6.024]	163.83 [6.450]	171.45 [6.750]	120	1-532428-1
⑥	137.16 [5.400]	54	140.31 [5.524]	151.13 [5.950]	158.75 [6.250]	110	1-532428-0
⑥	124.46 [4.900]	49	127.61 [5.024]	138.43 [5.450]	146.05 [5.750]	100	532428-9
⑥	—	—	—	—	—	—	532428-8
⑥	99.06 [3.900]	39	102.21 [4.024]	113.03 [4.450]	120.65 [4.750]	80	532428-7
⑥	86.36 [3.400]	34	89.51 [3.524]	100.33 [3.950]	107.95 [4.250]	70	532428-6
⑥	73.66 [2.900]	29	76.81 [3.024]	87.63 [3.450]	95.25 [3.750]	60	532428-5
⑥	60.96 [2.400]	24	64.11 [2.524]	74.93 [2.950]	82.55 [3.250]	50	532428-4
⑥	48.26 [1.900]	19	51.41 [2.024]	62.23 [2.450]	69.85 [2.750]	40	532428-3
⑥	—	—	—	—	—	—	532428-2
⑥	22.86 [.900]	9	26.01 [1.024]	36.83 [1.450]	44.45 [1.750]	20	532428-1
	E	D	C	B	A	POSN	PART NUMBER

DIMENSIONS: mm [INCHES]		TOLERANCES UNLESS OTHERWISE SPECIFIED:										
0 PLC ± .	1 PLC ± .	2 PLC ± .	3 PLC ± 0.13 [.005]	4 PLC ± .								
ANGLES: —		SURFACE TEXTURE:										
P LTR		REVISION RECORD	DATE	DWN	APVD							
—		SEE SHEET 1	—	—	—							
DWN		R.K. SEIFRIED	06/14/90	MATERIAL	—	HEAT TREAT	—					
CHK		G.E. SKIPPER	3/29/94	—			—					
APVD		—	—	—			—					
NAME		HDI, 2 ROW, RECEPTACLE ASSEMBLY, 4.57 [1.80] LONG SOLDER TAILS										
SCALE		4:1	SIZE	A1	DRAWING NO	532428	SHEET	2	OF	2	REV	U

D
C
B
A