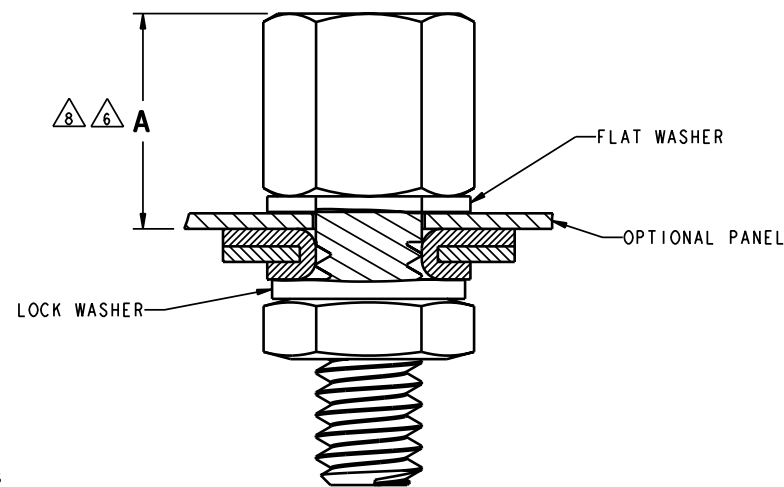
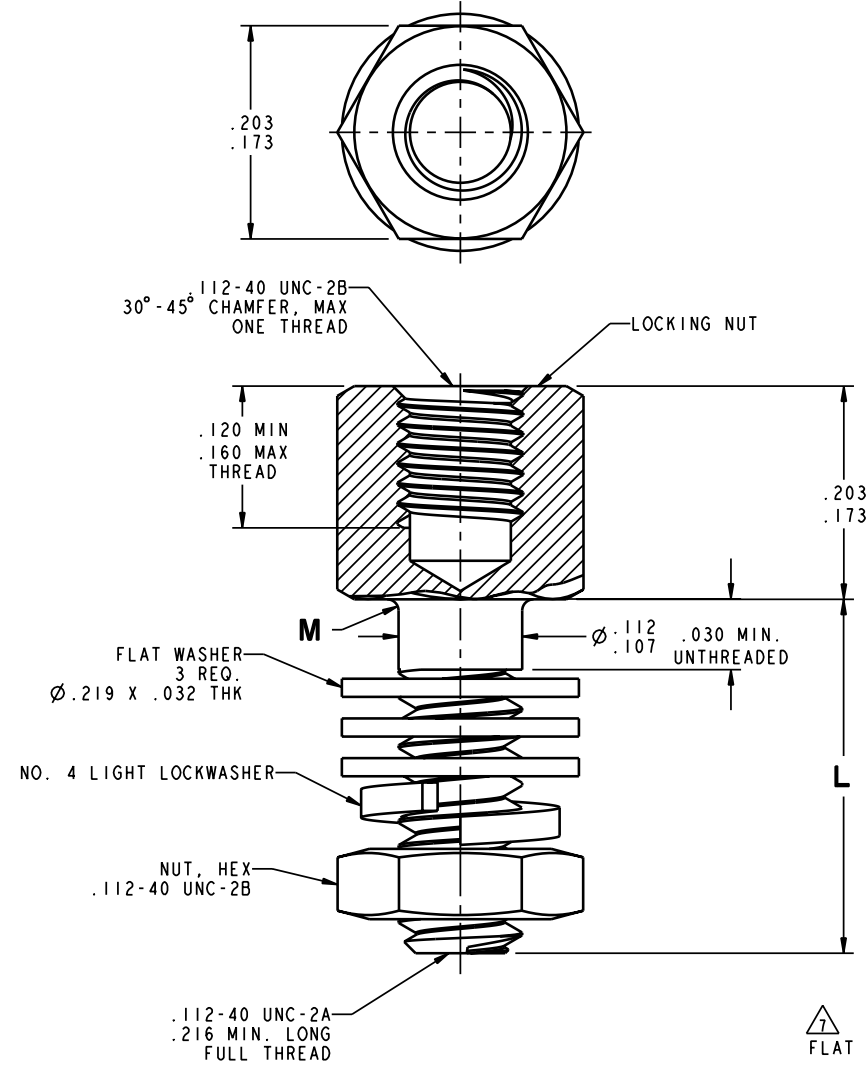
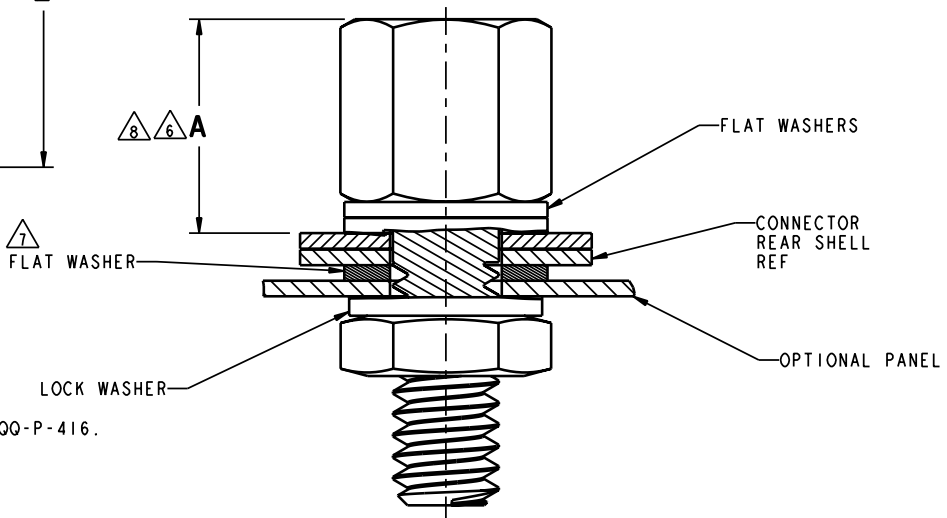


THIS IS ISSUED IN STRICT CONFIDENCE ON CONDITION THAT IT IS NOT USED AS A BASIS FOR MANUFACTURE OR SALE, AND THAT IT IS NOT COPIED, REPRODUCED OR DISCLOSED TO A THIRD PARTY EITHER WHOLLY OR IN PART WITHOUT THE PRIOR WRITTEN CONSENT OF ITT CANNON.

DWG NO. 027391Y0001		SR	REV
REV	DCR	DESCRIPTION	DATE
			APPROVAL



RIVET SHELL STYLE (REAR PANEL MOUNTING SHOWN)



TAB SHELL STYLE (FRONT PANEL MOUNTING SHOWN)

PART NUMBER (QTY 1 SET)	PART NUMBER (QTY 2 SET)	FINISH	ROHS CODE	L ±.015	M MAX
D20418-145	D20418-82	△2	NTC	.312	.005
D20418-146		△3	NTC	.312	.005
D20418-147	D20418-83	△2	NTC	.625	.005
D20418-148		△3	NTC	.625	.005
D20418-50	D20418-131	△2	NTC	.500	.010
D20418-74	D20418-132	△2	NTC	.750	.010
D20418-134		△4	ROH	.312	.010
D20418-135		△4	ROH	.500	.010
D20418-136		△4	ROH	.625	.010
D20418-137		△4	ROH	.750	.010

SHELL SIZE	A±.030
1 & 2 (E & A)	.250
3, 4, 5 (B, C, D)	.238

- NOTES: UNLESS OTHERWISE SPECIFIED
- MATERIAL: COLD ROLLED STEEL.
 - FINISH: YELLOW CHROMATE OVER CADMIUM IN ACCORDANCE WITH SAE AMS-QQ-P-416.
 - FINISH: YELLOW CHROMATE OVER ZINC IN ACCORDANCE WITH ASTM B633.
 - FINISH: CLEAR TRIVALENT CHROMATE (CR+3) OVER ZINC PER ASTM B633 (REF ITTC CODE A235).
 - INSPECTION PER MIL-DTL-24308, GROUP A REQUIRED
 - REMOVE ONE FLAT WASHER FOR EACH .030 THICKNESS OF PANEL WHEN REAR MOUNTING SO THAT "A" DIMENSION IS MAINTAINED.
 - FOR FRONT PANEL MOUNTING OF TAB TYPE SHELL ONE WASHER IS REQUIRED BETWEEN REAR SHELL AND PANEL.
 - RECOMMENDED INSTALLATION CONFIGURATIONS. OTHER CONFIGURATION COMBINATIONS POSSIBLE DEPENDING ON FRONT OR REAR PANEL MOUNTING AND SHELL STYLE; HOWEVER DIMENSION "A" SHOULD ALWAYS BE MAINTAINED.
 - A 5 INCH-POUND MAXIMUM TORQUE DURING ASSEMBLY IS RECOMMENDED.

ITT Cannon LLC
56 Technology Drive, IRVINE, CA 92618

UNLESS OTHERWISE SPECIFIED: -DIMENSIONS AND TOLERANCES AS PER ASME Y14.5M-1994 -DIMENSIONS ARE IN INCHES AND (MM). -REMOVE ALL BURRS AND SHARP EDGES .005 (0.13) MAX. -DO NOT SCALE DRAWING.		WEIGHT	CRITICAL DIM
		DENSITY	SPEC DIM
		VOLUME	REF DIMENSION KEY
DRAWN Ho Le	DATE 9/21/17	SURFACE AREA	
CHECKED Lorry Ensign	DATE 9/22/17	REF	
APPROVED Lorry Ensign	DATE 9/22/17	PART NO	
TOL DECIMALS X ± .02 (0.51) XX ± .01 (0.25) XXX ± .005 (0.127) XXXX ± .005 (0.127)	TOL ANGLES ° ± 1° SURFACE ROUGHNESS 32 11.4µ	SCALE 12.000	DESCRIPTION CLAMP, ELECTRICAL, CONNECTOR FEMALE SCREWLOCK ASSEMBLY MASTER
NOTE - REFER TO TABLE/NOTES		CAGE CODE 71468	
3RD ANGLE PROJECTION		SIZE USE D P/C	SHEET 1 / 1

NOTE

027391Y0001

DWG FILE NAME: 027391Y0001

EXPORT CODE C

This document contains technical data that is subject to export controls under the Export Administration Act and Export Administration Regulations (15 CFR 730, et seq.). Any transfer of this data to non-US persons or to any location outside the United States must be in compliance with the Export Administration Regulations.

PRINTED COPIES ARE NOT MAINTAINED TO LATEST REVISION.