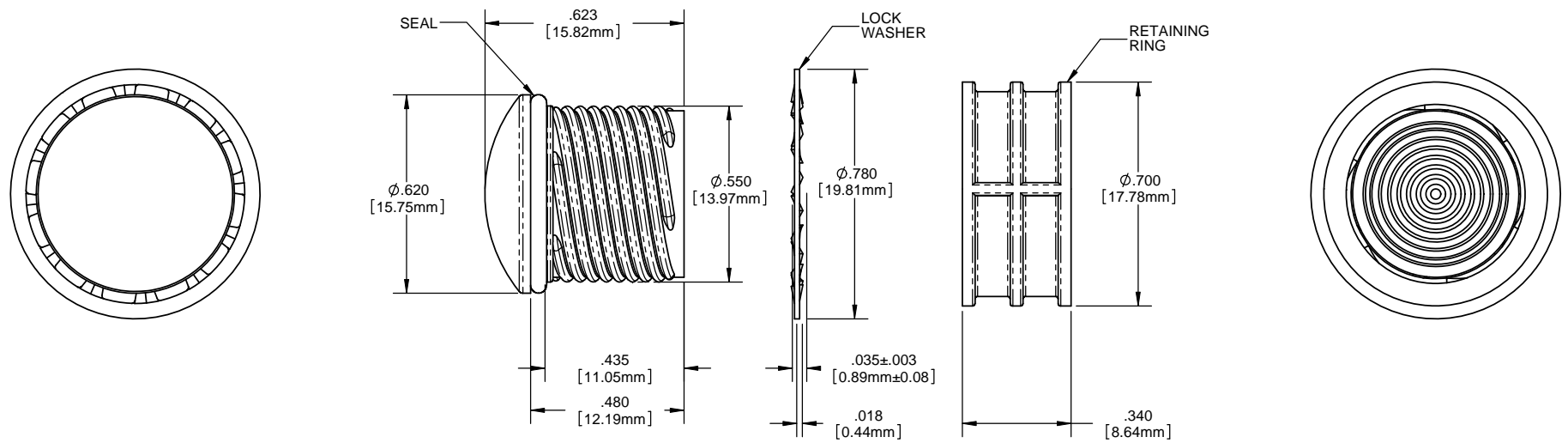
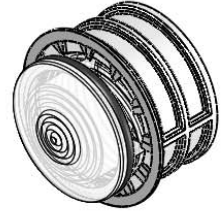


NOTES:

1. MOUNTING: Mounts in a $\phi .562 \pm .002$ [$\phi 16.56\text{mm} \pm .05$] panel hole on $.750$ [19.05mm] centers. Panel thickness $.031$ [$.8\text{mm}$] to $.187$ [4.75mm]. Panel hole should be deburred, but not chamfered.
2. ASSEMBLY: Insert lens through panel hole, slide lock washer onto lens barrel and twist on retaining ring. PCB mounted LEDs slide into lens when the panel cover is closed or the PCB card is inserted into the case.
3. MATERIAL: Lens-Polycarbonate, UL 94-V2
Lock Washer- FH Steel, Nickel plate
Retaining ring - Thermoplastic, U.L. 94 V0 Rated
Seal- EPDM
4. U.S. & Foreign Pat. Issued & Pend.

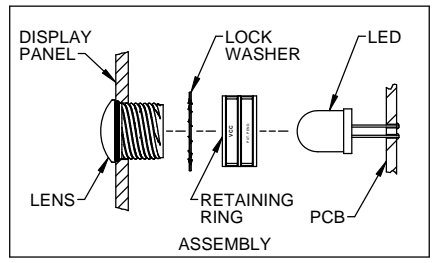
REVISIONS				
ECN#	REV.	DESCRIPTION	DATE	INITIALS
	001	REVISED PER ECR111009AZ01	4-23-10	SMU



ORDERING CODE : **HMS 462 XXX**

MODEL

LENS COLOR	
RTP	RED TRANSPARENT
ATP	AMBER TRANSPARENT
GTP	GREEN TRANSPARENT
BTP	BLUE TRANSPARENT
YTP	YELLOW TRANSPARENT
CTP	CLEAR TRANSPARENT



DIMENSION STYLE: INCHES / MM GENERAL TOLERANCES UNLESS OTHERWISE SPECIFIED	
INCHES	MM
XX $\pm .020$	508 $\pm .508$
XX $\pm .010$	254 $\pm .254$
XXX $\pm .005$	127 $\pm .127$
ANGLE & 1/8" DEGREE UNLESS OTHERWISE SPECIFIED	
THIRD ANGLE PROJECTION	
THE INFORMATION CONTAINED IN THIS DRAWING IS THE PROPERTY OF VEGA COMMUNICATIONS COMPANY, INC. AND IS TO BE USED ONLY FOR THE PURPOSES SPECIFIED HEREIN. ANY REPRODUCTION IN PART OR AS A WHOLE WITHOUT THE WRITTEN PERMISSION OF VEGA COMMUNICATIONS COMPANY, INC. IS PROHIBITED.	

MATERIAL		SEE NOTES
FINISH		SEE NOTES
APPROVAL	DATE	
DRAWN: SMU	4-23-10	
CHECKED: DZ	4-23-10	
DO NOT SCALE DRAWING		

VCG OPTOELECTRONICS
 190 BOSSTICK BLVD, SUITE 101 SAN MARCOS, CA 92669 U.S.A.
 PHONE: (760) 560-1300, FAX: (760) 560-1301 EMAIL: vccsales@vccsite.com

TITLE: 10MM ROUND STANDARD THREADED FRESNEL LENS WITH SEAL

SIZE	DWG. NO.	REV
B	HMS 462 XXX	001
SCALE: 4:1	SHEET 1 OF 1	