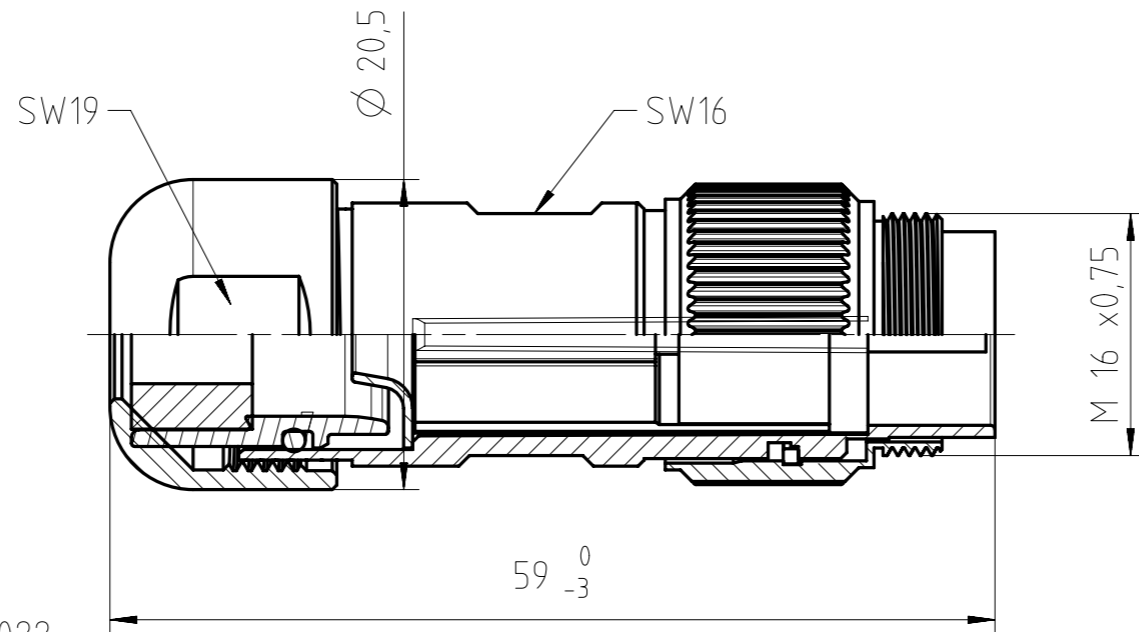


Copying of this document and giving it to others and the use or communication of the contents thereof, are forbidden without express authority. Offenders are liable to the payment of damages. All rights are reserved in the event of the grant of a patent or the registration of the utility model or design.



@ Assembly instruction see N 22 091 0022

Number of contacts	Standard	3	4	5	5	6	7	7	8	12	14	
Contact arrangement	IEC 61076-2-106	03-a	04-a	05-a	05-b	06-a	07-a	07-b	08-a	12-a	14-a	
Rated voltage	IEC 60664-1	150 V		100 V						32 V		
Rated impulse withstand voltage	IEC 60664-1	2500 V		1500 V						800 V		
Pollution degree	IEC 60664-1	3 ⁿ										
Installation category	IEC 60664-1	III										
Insulation group	IEC 60664-1	II										
Current rating	IEC 60512-5-3	10A/+40°C			7A/+40°C						3A/+40°C	
Insulation resistance	IEC 60512-3-1	>10 ¹⁰ Ohm ²⁾										
Contact resistance	IEC 60512-2-1	<5mOhm										
Climatic category	IEC 60668-1	40 / 100 / 21										
Temperatur range		-40°C...+100°C										
IP degree	IEC 60529	IP 68										
Insertion and withdrawal force	IEC 60512-13-2	25N	30N	35N	35N	50N	55N	55N	60N	50N	50N	
mechanical operation	IEC 60512-9-1	≥500										
material housing		Zinc die cast, nickel plated										
dielectric material		Thermoplast										
sealing material		Chloroprene										
contacts		silver or gold plated, please order contacts separately acc. to drawing M-N 01 015 00XX X (3-8pol) or M-N 01 010 0158 X (12-14pol)										
termination technique		crimp										
wire gauge		0,09-1,0mm ²		0,09-0,75mm ²	0,09-1,0mm ²	0,09-0,75mm ²			0,09-0,25mm ²			
flamability		UL 94 V0										
locking system		metal screw coupling; tightening torque 0,5 - 0,7Nm										

¹⁾ under operating conditions >10⁹ Ohm
²⁾ designed according pollution degree 2, can be used under pollution degree 3 if the rules according IEC 60664-1 are fulfilled
 All technical data have been measured in a laboratory environment and can be different during practical usage of the product. Any product information is for descriptive usage only and not legally binding; particularly the information does not constitute or provide any legal guaranties ("Beschaffheitsgarantie" or "Haltbarkeitsgarantie").
 Do not connect or disconnect under load. Metal housing parts shall be securely incorporated to protected ground.

	14 (14-a)	C091 11H014 000 4 U
	12 (12-a)	C091 11H012 000 4 U
	8 (08-a)	C091 11H008 000 4 U
	7 (07-b)	C091 11H107 000 4 U
	7 (07-a)	C091 11H007 000 4 U
	6 (06-a)	C091 11H006 000 4 U
	5 (05-b)	C091 11H105 000 4 U
	5 (05-a)	C091 11H005 000 4 U
	4 (04-a)	C091 11H004 000 4 U
	3 (03-a)	C091 11H003 000 4 U
Contact arrangement View on mating side	Number of contacts (Contact arrangement acc. IEC 61076-2-106)	Part number

Gewicht (errechnet) / Calc WT: g		Zul. Abw./Tolerances:		Maßstab / Scale: 2:1		A3			
Prüfmaß / Testdimension		DIN / ISO 13715		Material:		male cable connector			
Teileindex Partindexnumber		2013 Datum/Date		Name		for cable diameters 4-6mm			
		Gez. 24.06.		Carle					
		Drawn							
		Gepr.							
		Checked							
02 201300837 04.12.13 IM		Amphenol-Tuchel Electronics GmbH		M		C091 11HXXX 000 4 U		Blatt/Sheet 1	
01 201300382 02.07.13 Cm								1 Bl.	
Index Änderung/Description Datum/Date Name						Ers. f. / Replacement for:			

Weitergabe sowie Vervielfältigung dieser Unterlage, Verwertung und Mitteilung ihres Inhalts nicht gestattet, soweit nicht ausdrücklich zugestanden. Zuwiderhandlungen verpflichten zu Schadenersatz. Alle Rechte für den Fall der Patenterteilung oder Gebrauchsmuster-Eintragung vorbehalten.