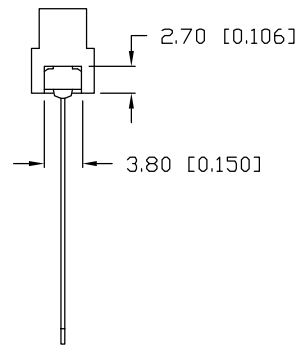
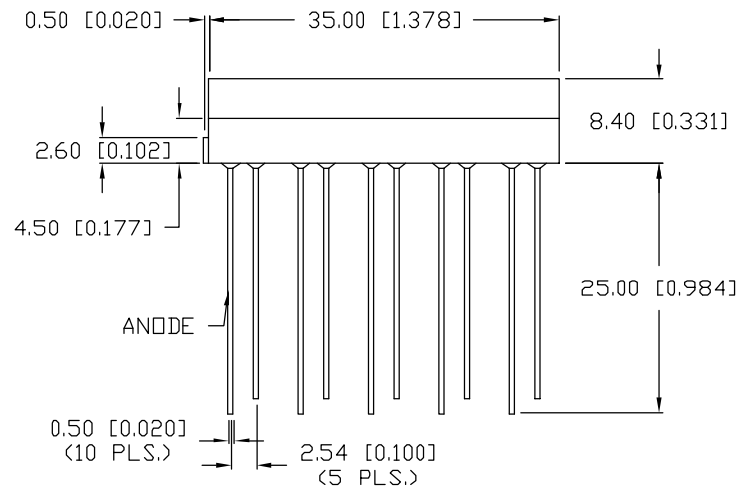
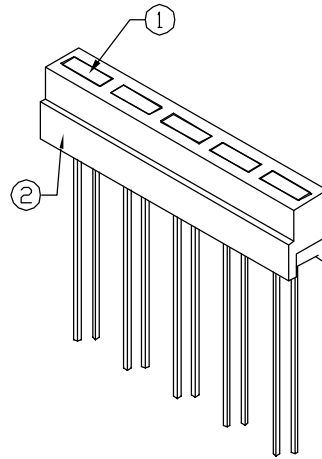
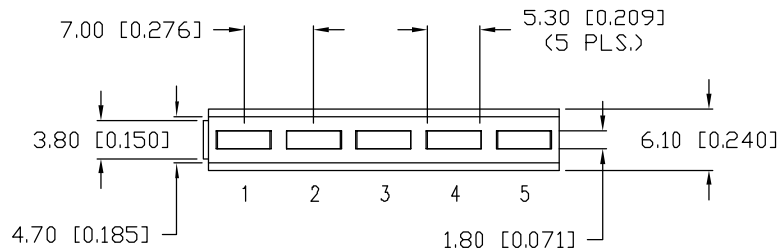


UNCONTROLLED DOCUMENT

PART NUMBER		REV.
SSA-LXB525-Y1G3I1D		A
REV.	E.C.N. NUMBER AND REVISION COMMENTS	DATE
A	E.C.N. #10BRDR. & REDRAWN.	6.4.01



ELECTRO-OPTICAL CHARACTERISTICS $T_A=25^{\circ}\text{C}$ $I_f=20\text{mA}$

PARAMETER	YELLOW	GREEN	RED	UNITS	TEST COND
PEAK WAVELENGTH	585	565	635	nm	
FORWARD VOLTAGE (TYP.)	2.1	2.2	2.0	nm	
FORWARD VOLTAGE (MAX.)	2.5	2.6	2.5	V _f	
REVERSE VOLTAGE	5.0	5.0	5.0	V _r	I _r =100μA
AXIAL INTENSITY	10	10	15	mcd	I _f =20mA
VIEWING ANGLE	110	110	110	2x theta	
LED POSITION:	1	2~4	5		

EPOXY LENS FINISH: DIFFUSED SAME AS EMITTED COLOR

LIMITS OF SAFE OPERATION AT 25°C PER CHIP

PARAMETER	COLORS	MAX	UNITS
PEAK FORWARD CURRENT*		150	mA
STEADY CURRENT	(Y/G/R)	30/25/30	mA
POWER DISSIPATION		105	mW
DERATE FROM 25°C		-1.2	mW/°C
OPERATING, STORAGE TEMP.		-40 TO +85	°C
SOLDERING TEMP.		+260	°C
2.0mm FROM BODY			3 SEC. MAX

* $t < 10\mu\text{s}$

NOTES:

1. SSL-LX2583YD, LED. (1 PC.)
SSL-LX2583GD, LED. (3 PCS.)
SSL-LX2583ID, LED. (1 PC.)
2. SSH-LXH525, HOLDER.
3. BACKFILL BOTTOM OF HOLDER WITH U.V. GLUE TO SECURE LEADS.

UNCONTROLLED DOCUMENT

*UNLESS OTHERWISE SPECIFIED TOLERANCES PER DECIMAL PRECISION ARE: X=±1 (±0.039), X.X=±0.5 (±0.020), X.XX=±0.25 (±0.010), X.XXX=±0.127 (±0.005). LEAD SIZE=±0.05 (±0.002), LEAD LENGTH=±0.75 (±0.030). MIN.= +DECIMAL PRECISION MAX.= +0.00 -DECIMAL PRECISION

REV.	PART NUMBER
A	SSA-LXB525-Y1G3I1D
1.8mm x 5.3mm 5 UNIT LED ARRAY, POS.1: YELLOW, POS.2~4: GREEN, POS.5: RED, COLOR DIFFUSED PER POSITION.	

CONFIDENTIAL INFORMATION
THE INFORMATION CONTAINED IN THIS DOCUMENT IS THE PROPERTY OF LUMEX INC. EXCEPT AS SPECIFICALLY AUTHORIZED IN WRITING BY LUMEX INC., THE HOLDER OF THIS DOCUMENT SHALL KEEP ALL INFORMATION CONTAINED HEREIN CONFIDENTIAL AND SHALL PROTECT SAME IN WHOLE OR IN PART FROM DISCLOSURE AND DISSEMINATION TO ALL THIRD PARTIES.

RELIABILITY NOTE
OUR MANY YEARS OF EXPERIENCE DATA ACCUMULATION INDICATE THAT SOLDER HEAT IS A MAJOR CAUSE OF EARLY AND FUTURE FAILURE. PLEASE PAY ATTENTION TO YOUR SOLDERING PROCESS.



290 E. HELEN ROAD
PALATINE, IL 60067-6976
PHONE: +1.847.359.2790
US WEB: www.lumex.com
TW WEB: www.lumex.com.tw

DRAWN BY:	CHECKED BY:	APPROVED BY:	DATE: 3.27.98
CT			PAGE: 1 OF 1
			SCALE: N/A