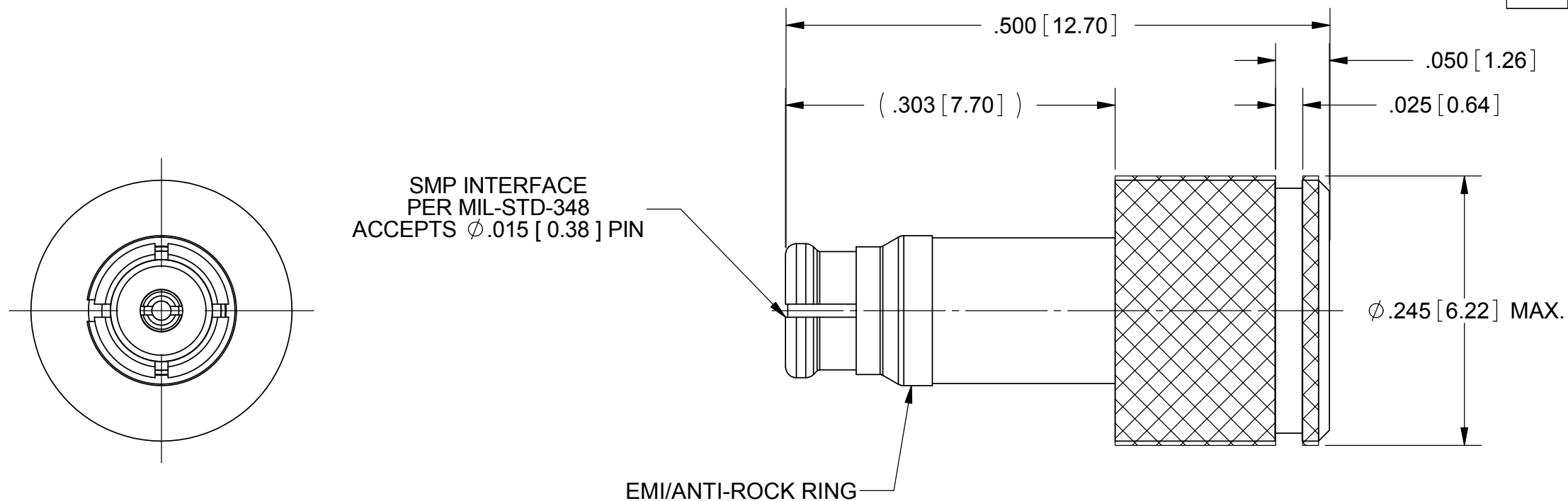


PRODUCT DATA DRAWING

REVISION HISTORY			
REV	DESCRIPTION	DATE	APPROVED
-	REL. NRN 39945	10/29/15	STW



MATERIALS:
 BODY, CONTACT,
 EMI/ANTI-ROCK RING
 & CAP:

BERYLLIUM COPPER ALLOY PER ASTM B196
 ALLOY No. UNS17300 TD04
 PTFE PER ASTM D1710
 ALUMINA SUBSTRATE WITH NICHROME RESISTOR

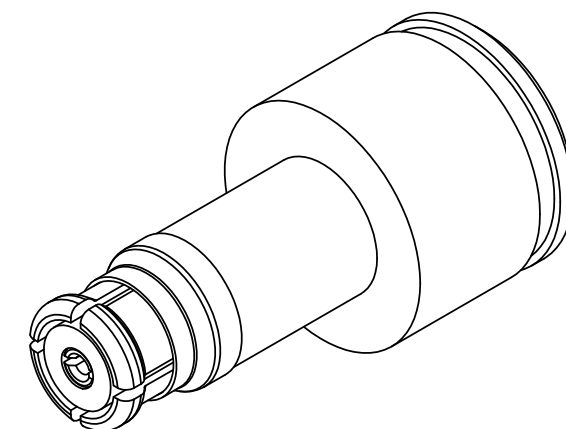
INSULATOR:
RESISTOR ELEMENT:

FINISHES:
 BODY, CONTACT,
 EMI/ANTI-ROCK RING
 & CAP:

GOLD PER ASTM B488, TYPE II, GRADE C, CLASS 1.27,
 OVER NICKEL PER AMS-QQ-N-290, CLASS 1

ELECTRICAL:
IMPEDANCE:
FREQ. RANGE:
VSWR:
AVG. POWER:
PEAK POWER:

50 OHMS
 DC TO 26.5 GHZ
 1.25:1, DC TO 26.5 GHZ
 2 WATTS (POWER INPUT DERATED LINEARLY
 FROM 25°C TO .2 WATTS AT 125 °C)
 50 WATTS, PULSE WIDTH OF 5 MICROSECONDS
 AND A DUTY CYCLE OF 5 X10-4



MATERIAL: SEE NOTES	DIMENSIONS ARE IN INCHES TOLERANCES: FRACTIONAL: ±1/64 ANGULAR: X° ±1'0" X°X' ±15'	UNLESS OTHERWISE SPECIFIED 1) ALL DIMENSIONS ARE IN INCHES (MILLIMETERS) 2) ALL DIMENSIONS ARE AFTER PLATING. 3) BREAK CORNERS & EDGES .005 R. MAX. 4) CHAM. 1ST & LAST THREADS. 5) SURFACE ROUGHNESS 63-MIL-STD-10. 6) DIA.'S ON COMMON CENTERS TO BE CONCENTRIC WITHIN .005 T.I.R. 7) REMOVE ALL BURRS	SV Microwave, Inc. 2400 Centrepark West Drive, Suite 100 West Palm Beach, FL 33409 TITLE: SMP FEMALE TERMINATION 2 WATTS
FINISH: SEE NOTES	DECIMAL: X ±.030 .XX ±.010 .XXX ±.005	INTERPRET DIMENSIONS AND TOLERANCES PER ASME Y14.5M - 1994	
SURFACE AREA: N/A	THIRD ANGLE PROJECTION	DRAWN: JMC 10/29/15	SIZE: B CAGE CODE: 95077 DWG. NO. 8012-4013
PROPRIETARY THE INFORMATION CONTAINED IN THIS DRAWING IS THE SOLE PROPERTY OF SV MICROWAVE, INC. ANY REPRODUCTION IN PART OR AS A WHOLE WITHOUT THE WRITTEN PERMISSION OF SV MICROWAVE, INC IS PROHIBITED.		CHECKED: STW 10/29/15	SCALE: 8:1
		APPROVED: STW 10/29/15	SHEET 1 OF 1