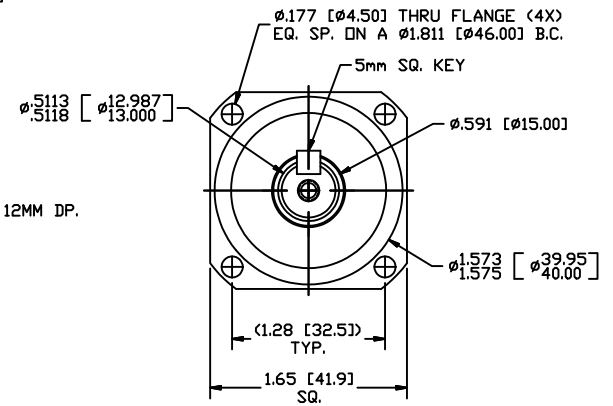
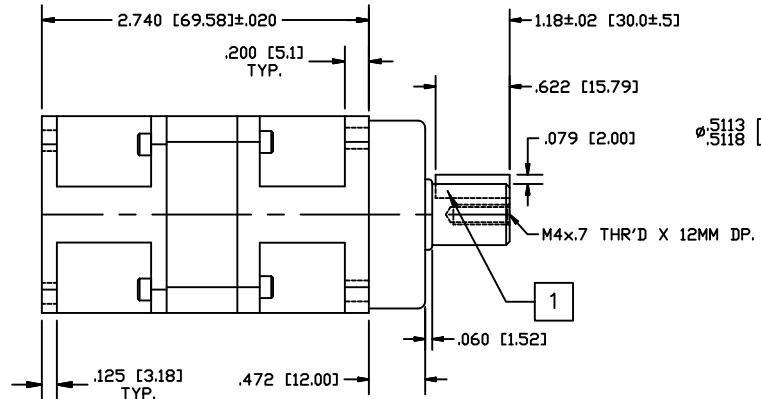
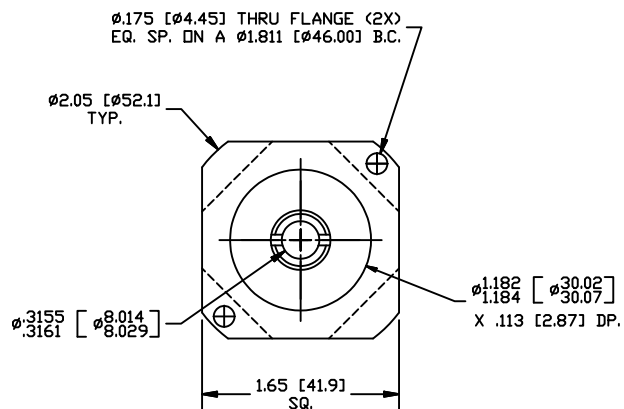


REVISIONS			
REV	DESCRIPTION	DATE	APPROVED
A	INITIAL RELEASE ECO 6709	2/22/13	J Kordik



NOTES: UNLESS OTHERWISE SPECIFIED

- 1 5MM SQUARE KEY
2. 40PM010 RATIO- 10:1
3. FOR TECHNICAL DETAILS, CONTACT APPLIED MOTION PRODUCTS.

TOLERANCES DECIMALS: [MM] INCH X.XXX = ± .005 X.XX = ± [0.13] .010 X.X = ± [0.25] .020 ANGLES: MACH. = ± .5° CHAM. = ± 5°	THIRD ANGLE PROJECTION 		APPLIED MOTION PRODUCTS, INC. OUTLINE, GEAR HEAD, PM040, 1 STAGE		
	APPROVALS DRAWN R. JONEZ CHECKED	DATE 2/22/13			B
	COMPUTER DATA BASE DRAWING	APPROVED	SCALE: FULL	SHEET 1 OF 1	