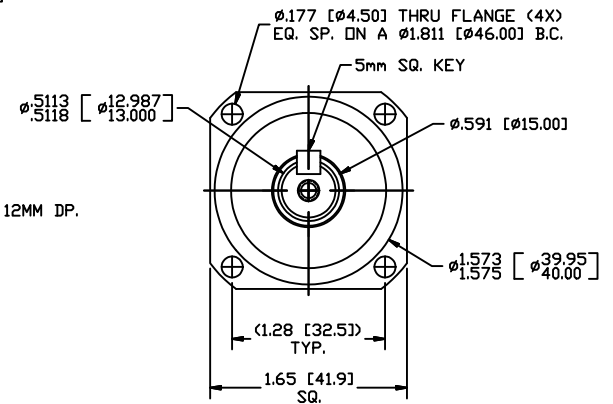
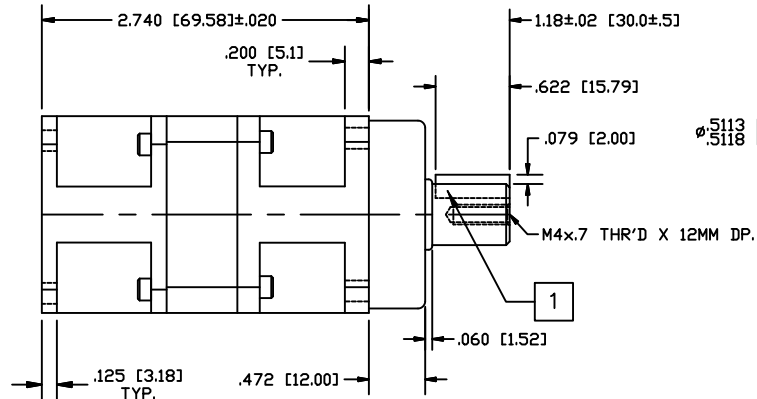
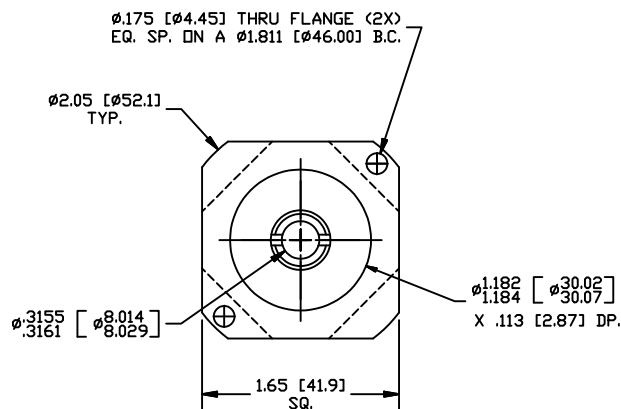


REVISIONS			
REV	DESCRIPTION	DATE	APPROVED
A	INITIAL RELEASE ECO 6709	2/22/13	J Kordik



NOTES: UNLESS OTHERWISE SPECIFIED

- 1 5MM SQUARE KEY
2. 40PM010 RATIO- 10:1
3. FOR TECHNICAL DETAILS, CONTACT APPLIED MOTION PRODUCTS.

TOLERANCES		THIRD ANGLE PROJECTION		APPLIED MOTION PRODUCTS, INC.	
DECIMALS: [MM] INCH X.XXX = ± .005 X.XX = ± [0.13] .010 X.X = ± [0.25] .020 ANGLES: MACH. = ± .5° CHAM. = ± 5°					
COMPUTER DATA BASE DRAWING		APPROVALS DRAWN: R. JONEZ CHECKED:			
		DATE: 2/22/13		DWG NO. 40PM010	
		APPROVED:		REV A	
		SCALE: FULL		SHEET 1 OF 1	