

REVISION DESCRIPTION	APP.	REV.	DATE	CHANGE NO.
Δ X				
Δ X				
Δ X				

TECHNICAL CHARACTERISTICS

1. General Characteristics

- Dimension: 13.28L x 13.70W x 2.60H mm
- Weight: Approx. 0.38 g
- Contact principle: Friction technology
- Operating position: Shaft up / Down / Horizontal
- Mounting System: SMT Type (without post)
- Durability: 5,000 cycles min.

2. Mechanical Characteristics

- Insulation material: Thermoplastic, UL 94V-0
- RoHS Directive 2002/95/EC Compliant

3. Electrical Characteristics

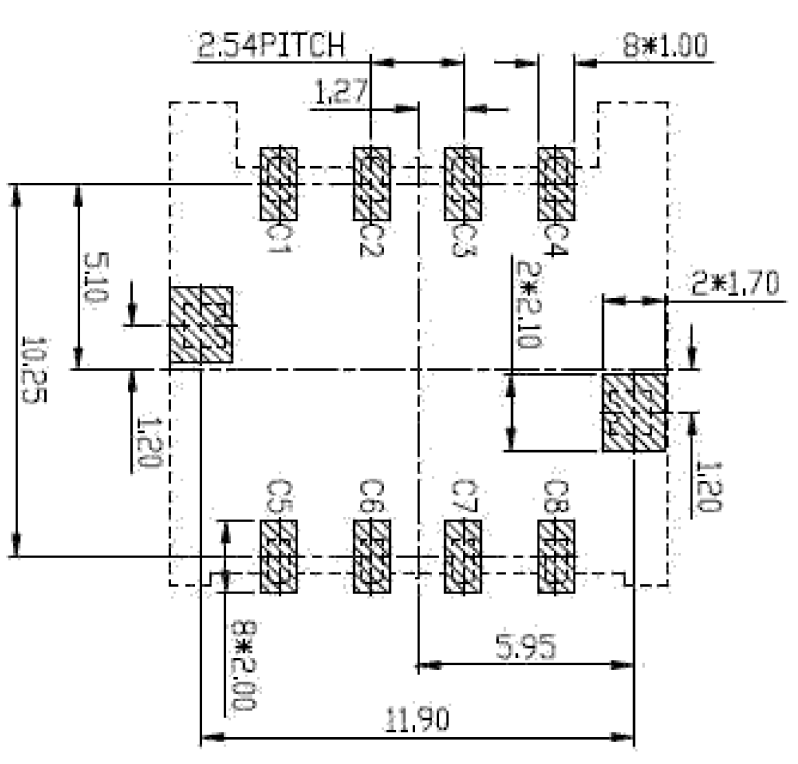
- Number of contacts: 8 pins
- Contact resistance: 50 mΩ typical, 100 mΩ max.
- Insulation resistance: >1000 MΩ / 500 VDC

4. Solderability

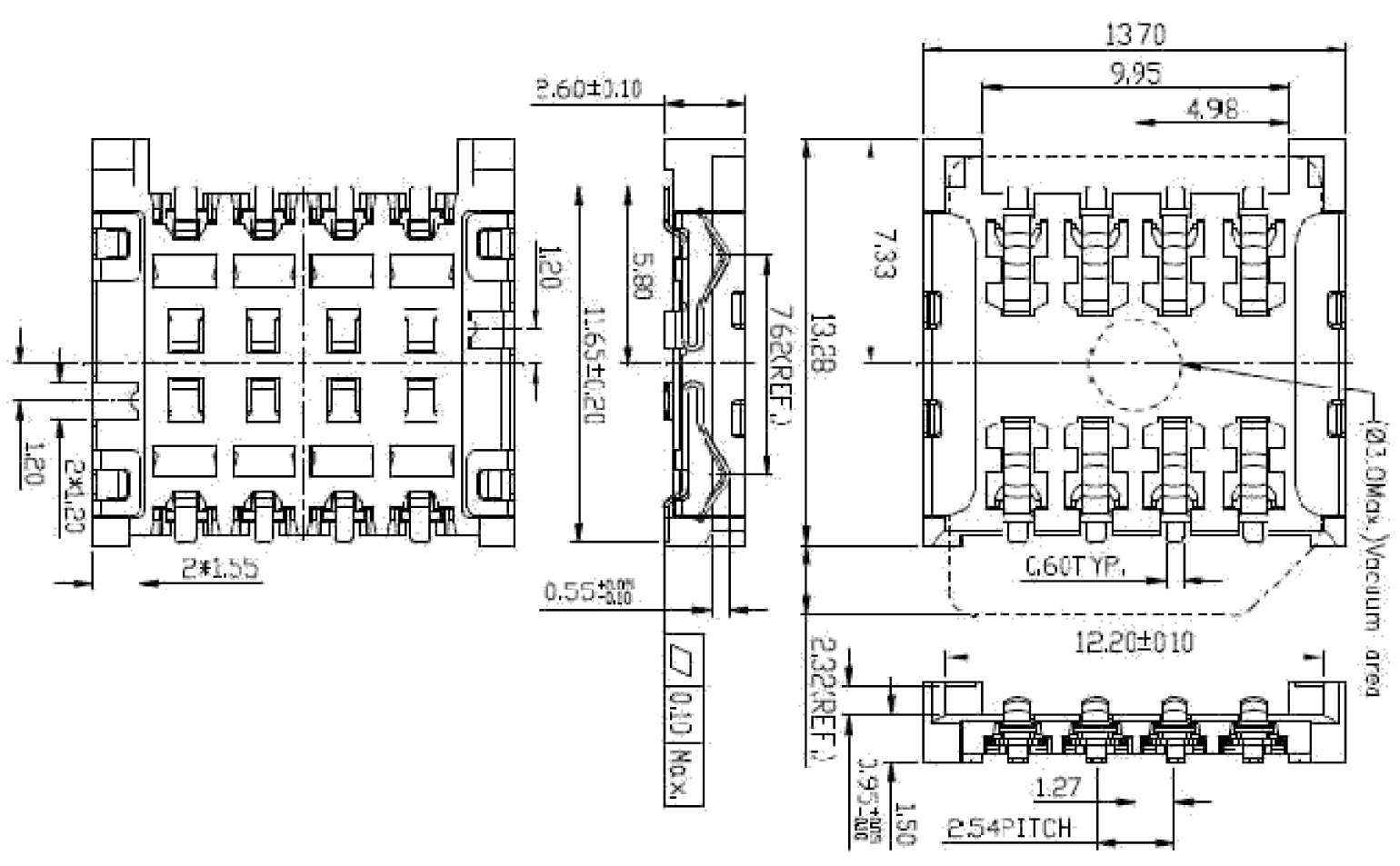
- Wave: Not applicable
- IR reflow: 260°C, 10 sec. Max.
- Manual soldering: 360°C, 3 sec. Max.

5. Environmental Characteristics

- Operating temperature: -40°C ~ +85°C
- Operating humidity: 10% ~ 95% RH
- Storage temperature: -40°C ~ +85°C
- Storage humidity: 10% ~ 95% RH



Unit: mm; Tolerances: ±0.05 mm
Reference dimension for PCB layout



Unit: mm; Tolerances: ±0.15 mm
Mechanical outline dimension

SCALE		APP.		CHK.		DRW.		DSGN.		Part #	
MM		11/01/31		K.		R.		R.		FUS008U-5000-0	
ANGLE PROU		Abe		Abe		Yang		Yang		YEU-A1562	
3rd										Sheet No. / REV. A	
CLASS Micro SIM Card Connector 8 Pin											