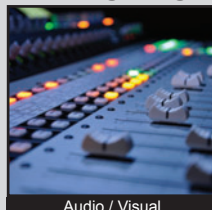


# PV6 SERIES ANTI-VANDAL SWITCH

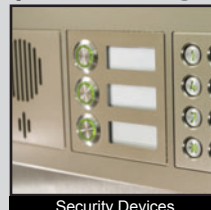
ANTI-VANDAL SWITCHES  
DETECTOR SWITCHES  
DIP SWITCHES  
KEYLOCK SWITCHES  
NAVIGATION SWITCHES  
PUSHBUTTON SWITCHES  
ROCKER SWITCHES  
ROTARY SWITCHES  
SLIDE SWITCHES  
SNAP ACTION SWITCHES  
TACTILE SWITCHES  
TOGGLE SWITCHES  
CAP OPTIONS



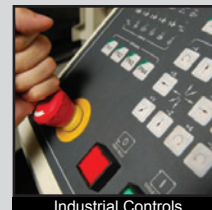
## APPLICATIONS / MARKETS



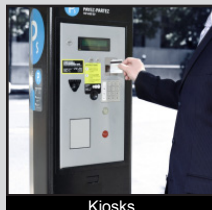
Audio / Visual



Security Devices



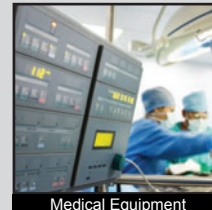
Industrial Controls



Kiosks



Electrical Housewares



Medical Equipment

# RoHS

## SPECIFICATIONS

**Electrical Rating:** 2A, 48VDC  
**Mechanical Life:** 1,000,000 Cycles  
**Electrical Life:** 50,000 Cycles  
**Contact Resistance:** 50mΩ Max.  
**Insulation Resistance:** 1000 MΩ Min.  
**Dielectric Strength:** 2,000VAC  
**Operating/Storage Temperature:** -20°C to 55°C  
**Travel:** 1.50mm  
**Moisture Protection:** IP65  
**Contact Arrangement:** SPST Off-(On)  
**Actuation Force:** 400 gf  
**Panel Thickness:** 1-10mm  
**Mounting Nut Torque:** 5-14Nm

## FEATURES & BENEFITS

- 16mm diameter panel cutout
- RGB LED option
- Dot or ring illumination options available
- Multiple actuator options
- Pilot indicator option
- IP65 rated, Off-(On), SPST

## PART NUMBER CONFIGURATOR

| Series                           | Actuator Options   | Terminal Options                        | Function Options   | Rating Options   | Body Finish Options   | Actuator Finish Options   | Contact Material Options  | Lens Style Options   | LED-Color Options  | Illumination Voltage Options  |
|----------------------------------|--|---|--|--|---|---|---|--|--|---|
| <input type="text" value="PV6"/> | <input type="text" value="F - Flat"/><br><input type="text" value="H - High"/> | <input type="text" value="2 - Solder"/> | <input type="text" value="4 - Off - (On)*"/><br><input type="text" value="P - Pilot Indicator**"/> | <input type="text" value="0 - 2A, 48VDC"/><br><input type="text" value="X - Pilot Indicator"/> | <input type="text" value="N - Nickel Plated"/><br><input type="text" value="S - Stainless Steel"/><br><input type="text" value="1 - Black Anodized"/> | <input type="text" value="N - Nickel Plated"/><br><input type="text" value="S - Stainless Steel"/><br><input type="text" value="1 - Black Anodized"/> | <input type="text" value="NONE - Silver"/><br><input type="text" value="G - Gold"/> | <input type="text" value="NONE - Non-Illuminated"/><br><input type="text" value="2 - Dot Illumination"/><br><input type="text" value="3 - Ring Illumination"/> | <input type="text" value="NONE - Non-Illuminated"/><br><input type="text" value="0 - White"/><br><input type="text" value="1 - Red"/><br><input type="text" value="2 - Orange"/><br><input type="text" value="3 - Green"/><br><input type="text" value="4 - Blue"/><br><input type="text" value="5 - Yellow"/><br><input type="text" value="F - Red/Orange"/><br><input type="text" value="G - Red/Green"/><br><input type="text" value="H - Red/Blue"/><br><input type="text" value="J - Red/Yellow"/><br><input type="text" value="K - Orange/Green"/><br><input type="text" value="L - Orange/Blue"/><br><input type="text" value="M - Orange/Yellow"/><br><input type="text" value="R - RGB"/> | <input type="text" value="NONE - Non-Illuminated"/><br><input 11"="" type="text" value="1 - Base Voltage†&lt;/td&gt; &lt;/tr&gt; &lt;tr&gt; &lt;td colspan="/> <p><b>NOTES:</b><br/>                     *(On) denotes function is momentary<br/>                     **Pilot indicator does not have internal switch contacts, only illumination<br/>                     †Base voltage for LED colors red, yellow, and orange is 1.8V @ 20mA<br/>                     ‡Base voltage for LED colors blue, green and white is 2.8V @ 20mA</p> |

Specifications subject to change without notice



**E-SWITCH®**

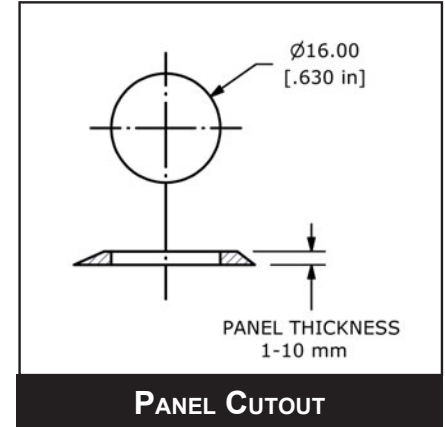
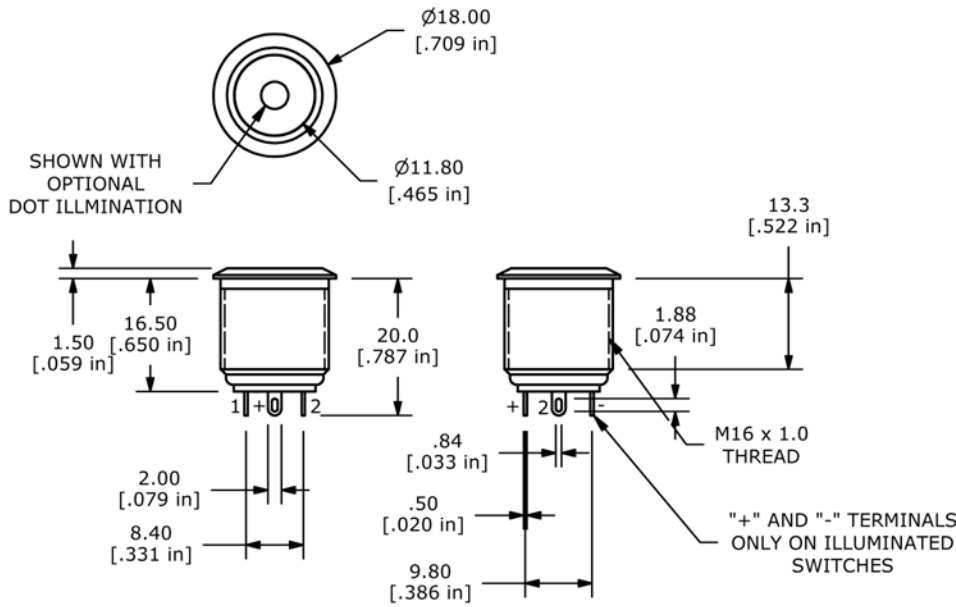
www.e-switch.com

800.867.2717

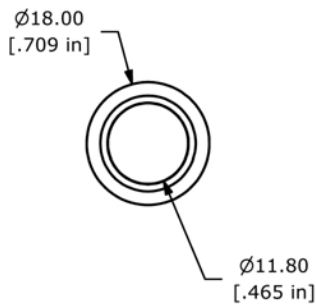
2

# PV6 SERIES ANTI-VANDAL SWITCH

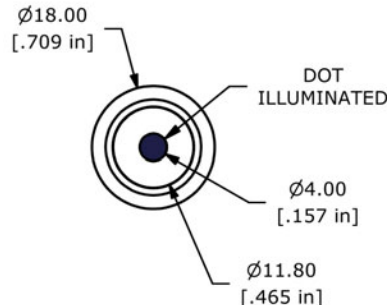
## BODY DIMENSIONS



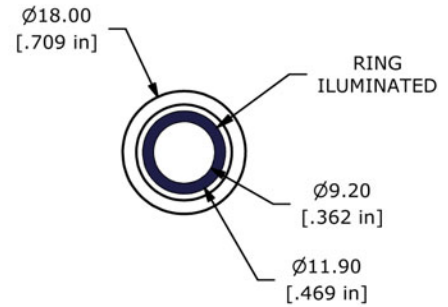
## ILLUMINATION OPTIONS



NON-ILLUMINATED

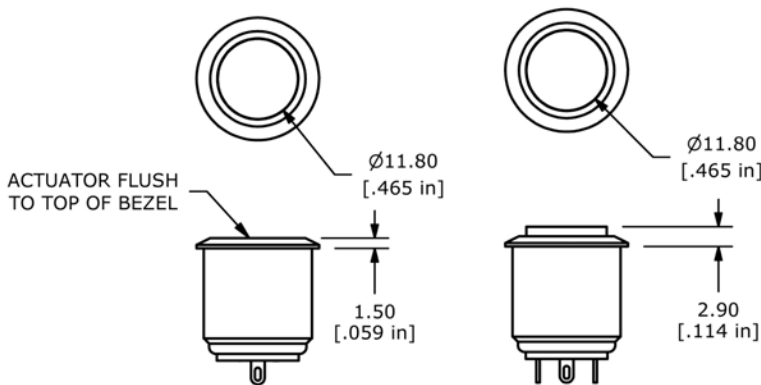


DOT ILLUMINATED



RING ILLUMINATED

## ACTUATOR OPTIONS



FLAT ACTUATOR

HIGH ACTUATOR

