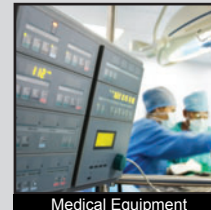
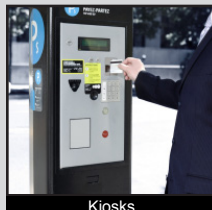
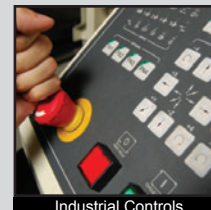
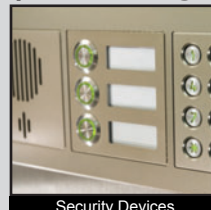


# PV6 SERIES ANTI-VANDAL SWITCH

ANTI-VANDAL SWITCHES  
DETECTOR SWITCHES  
DIP SWITCHES  
KEYLOCK SWITCHES  
NAVIGATION SWITCHES  
PUSHBUTTON SWITCHES  
ROCKER SWITCHES  
ROTARY SWITCHES  
SLIDE SWITCHES  
SNAP ACTION SWITCHES  
TACTILE SWITCHES  
TOGGLE SWITCHES  
CAP OPTIONS



## APPLICATIONS / MARKETS



**RoHS**

## SPECIFICATIONS

**Electrical Rating:** 2A, 48VDC  
**Mechanical Life:** 1,000,000 Cycles  
**Electrical Life:** 50,000 Cycles  
**Contact Resistance:** 50mΩ Max.  
**Insulation Resistance:** 1000 MΩ Min.  
**Dielectric Strength:** 2,000VAC  
**Operating/Storage Temperature:** -20°C to 55°C  
**Travel:** 1.50mm  
**Moisture Protection:** IP65  
**Contact Arrangement:** SPST Off-(On)  
**Actuation Force:** 400 gf  
**Panel Thickness:** 1-10mm  
**Mounting Nut Torque:** 5-14Nm

## FEATURES & BENEFITS

- 16mm diameter panel cutout
- RGB LED option
- Dot or ring illumination options available
- Multiple actuator options
- Pilot indicator option
- IP65 rated, Off-(On), SPST

## PART NUMBER CONFIGURATOR

Series	Actuator Options	Terminal Options	Function Options	Rating Options	Body Finish Options	Actuator Finish Options	Contact Material Options	Lens Style Options	LED-Color Options	Illumination Voltage Options
<input type="text" value="PV6"/>	<input type="text" value="F"/> F - Flat <input type="text" value="H"/> H - High	<input type="text" value="2"/> 2 - Solder	<input type="text" value="4"/> 4 - Off - (On)* <input type="text" value="P"/> P - Pilot Indicator**	<input type="text" value="0"/> 0 - 2A, 48VDC <input type="text" value="X"/> X - Pilot Indicator	<input type="text" value="N"/> N - Nickel Plated <input type="text" value="S"/> S - Stainless Steel <input type="text" value="1"/> 1 - Black Anodized	<input type="text" value="N"/> N - Nickel Plated <input type="text" value="S"/> S - Stainless Steel <input type="text" value="1"/> 1 - Black Anodized	<input type="text" value="NONE"/> NONE - Silver <input type="text" value="G"/> G - Gold	<input type="text" value="NONE"/> NONE - Non-Illuminated <input type="text" value="2"/> 2 - Dot Illumination <input type="text" value="3"/> 3 - Ring Illumination	<input type="text" value="NONE"/> NONE - Non-Illuminated <input type="text" value="0"/> 0 - White <input type="text" value="1"/> 1 - Red <input type="text" value="2"/> 2 - Orange <input type="text" value="3"/> 3 - Green <input type="text" value="4"/> 4 - Blue <input type="text" value="5"/> 5 - Yellow <input type="text" value="F"/> F - Red/Orange <input type="text" value="G"/> G - Red/Green <input type="text" value="H"/> H - Red/Blue <input type="text" value="J"/> J - Red/Yellow <input type="text" value="K"/> K - Orange/Green <input type="text" value="L"/> L - Orange/Blue <input type="text" value="M"/> M - Orange/Yellow <input type="text" value="R"/> R - RGB	<input type="text" value="1"/> NONE - Non-Illuminated 1 - Base Voltage†

**NOTES:**  
 \*(On) denotes function is momentary  
 \*\*Pilot indicator does not have internal switch contacts, only illumination  
 †Base voltage for LED colors red, yellow, and orange is 1.8V @ 20mA  
 ‡Base voltage for LED colors blue, green and white is 2.8V @ 20mA

Specifications subject to change without notice



**E-SWITCH®**

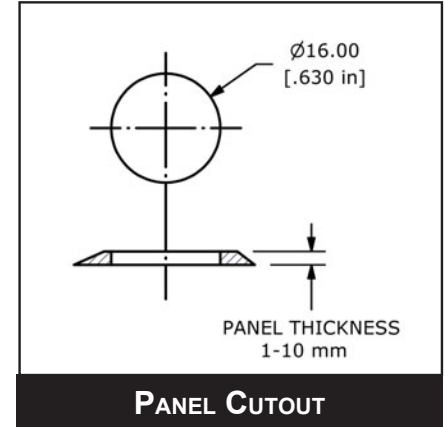
www.e-switch.com

800.867.2717

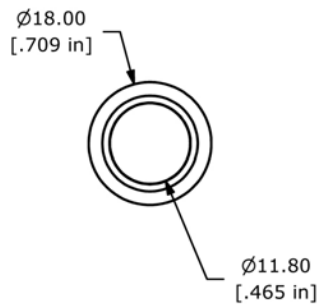
2

# PV6 SERIES ANTI-VANDAL SWITCH

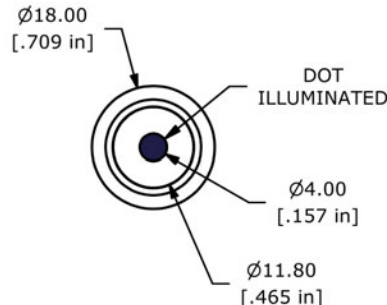
## BODY DIMENSIONS



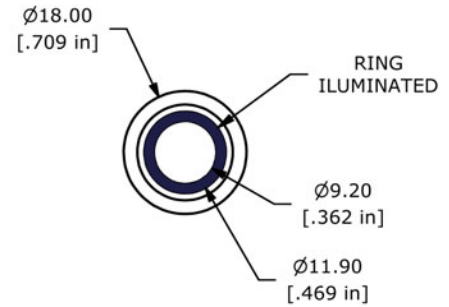
## ILLUMINATION OPTIONS



NON-ILLUMINATED

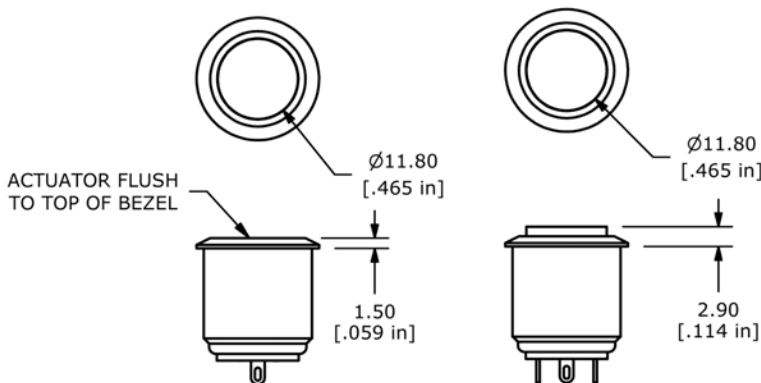


DOT ILLUMINATED



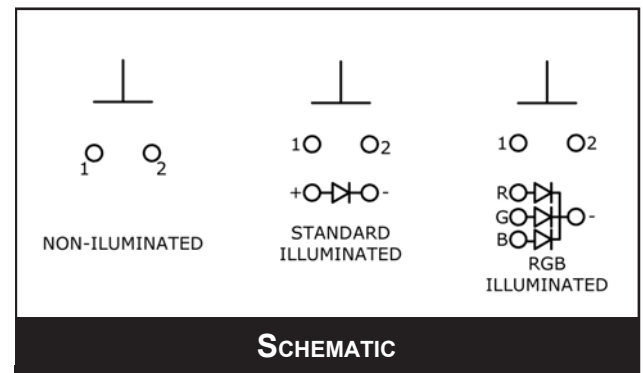
RING ILLUMINATED

## ACTUATOR OPTIONS



FLAT ACTUATOR

HIGH ACTUATOR



ANTI-VANDAL SWITCHES  
 DETECTOR SWITCHES  
 DIP SWITCHES  
 KEYLOCK SWITCHES  
 NAVIGATION SWITCHES  
 PUSHBUTTON SWITCHES  
 ROTARY SWITCHES  
 ROTARY SWITCHES  
 SLIDE SWITCHES  
 SNAP ACTION SWITCHES  
 TACTILE SWITCHES  
 TOGGLE SWITCHES  
 CAP OPTIONS