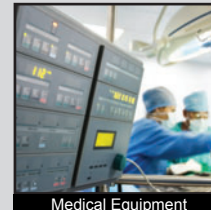
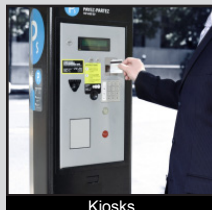
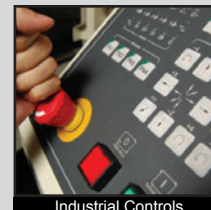
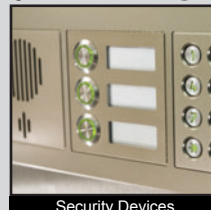
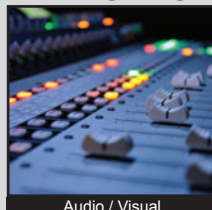


# PV6 SERIES ANTI-VANDAL SWITCH

ANTI-VANDAL SWITCHES  
DETECTOR SWITCHES  
DIP SWITCHES  
KEYLOCK SWITCHES  
NAVIGATION SWITCHES  
PUSHBUTTON SWITCHES  
ROCKER SWITCHES  
ROTARY SWITCHES  
SLIDE SWITCHES  
SNAP ACTION SWITCHES  
TACTILE SWITCHES  
TOGGLE SWITCHES  
CAP OPTIONS



## APPLICATIONS / MARKETS



**RoHS**

## SPECIFICATIONS

**Electrical Rating:** 2A, 48VDC  
**Mechanical Life:** 1,000,000 Cycles  
**Electrical Life:** 50,000 Cycles  
**Contact Resistance:** 50mΩ Max.  
**Insulation Resistance:** 1000 MΩ Min.  
**Dielectric Strength:** 2,000VAC  
**Operating/Storage Temperature:** -20°C to 55°C  
**Travel:** 1.50mm  
**Moisture Protection:** IP65  
**Contact Arrangement:** SPST Off-(On)  
**Actuation Force:** 400 gf  
**Panel Thickness:** 1-10mm  
**Mounting Nut Torque:** 5-14Nm

## FEATURES & BENEFITS

- 16mm diameter panel cutout
- RGB LED option
- Dot or ring illumination options available
- Multiple actuator options
- Pilot indicator option
- IP65 rated, Off-(On), SPST

## PART NUMBER CONFIGURATOR

Series	Actuator Options	Terminal Options	Function Options	Rating Options	Body Finish Options	Actuator Finish Options	Contact Material Options	Lens Style Options	LED-Color Options	Illumination Voltage Options
PV6	F - Flat H - High	2 - Solder	4 - Off - (On)* P - Pilot Indicator**	0 - 2A, 48VDC X - Pilot Indicator	N - Nickel Plated S - Stainless Steel 1 - Black Anodized	N - Nickel Plated S - Stainless Steel 1 - Black Anodized	NONE - Silver G - Gold	NONE - Non-Illuminated 2 - Dot Illumination 3 - Ring Illumination	NONE - Non-Illuminated 0 - White 1 - Red 2 - Orange 3 - Green 4 - Blue 5 - Yellow F - Red/Orange G - Red/Green H - Red/Blue J - Red/Yellow K - Orange/Green L - Orange/Blue M - Orange/Yellow R - RGB	NONE - Non-Illuminated 1 - Base Voltage†

**NOTES:**  
 \*(On) denotes function is momentary  
 \*\*Pilot indicator does not have internal switch contacts, only illumination  
 †Base voltage for LED colors red, yellow, and orange is 1.8V @ 20mA  
 ‡Base voltage for LED colors blue, green and white is 2.8V @ 20mA

Specifications subject to change without notice



**E-SWITCH®**

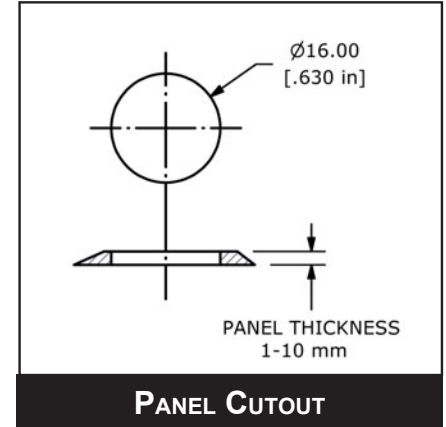
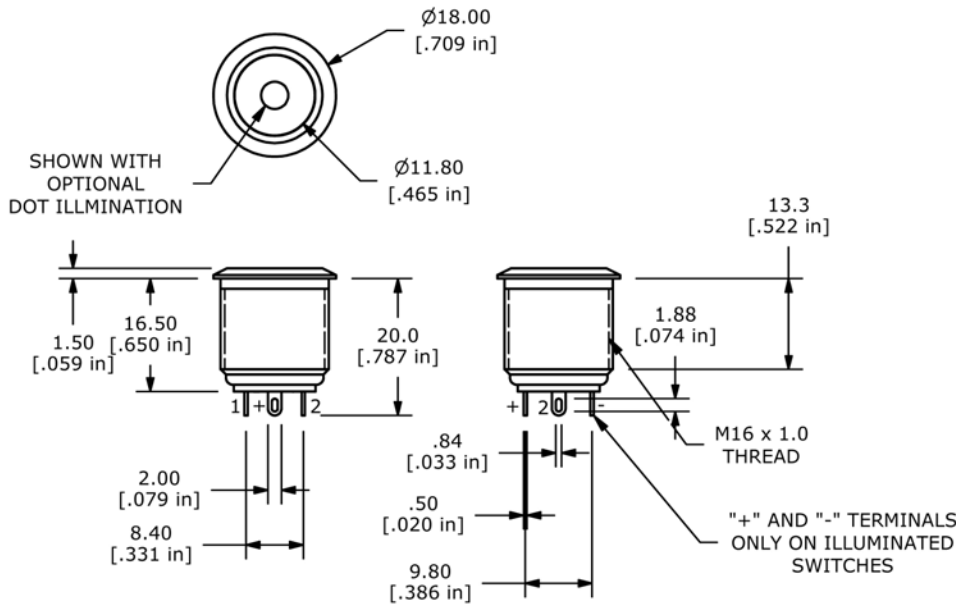
www.e-switch.com

800.867.2717

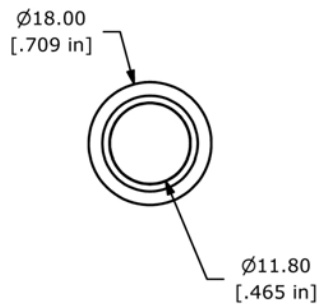
2

# PV6 SERIES ANTI-VANDAL SWITCH

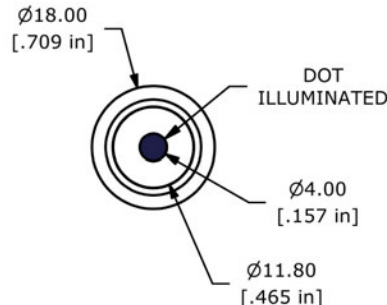
## BODY DIMENSIONS



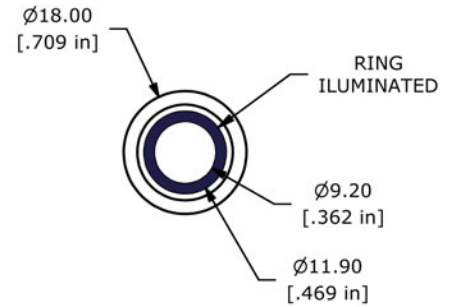
## ILLUMINATION OPTIONS



NON-ILLUMINATED

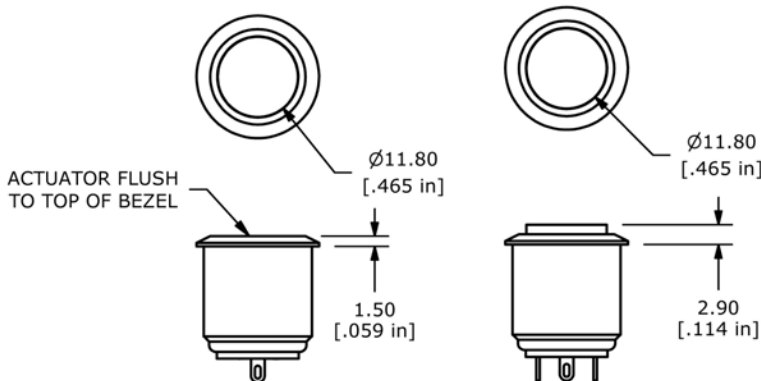


DOT ILLUMINATED



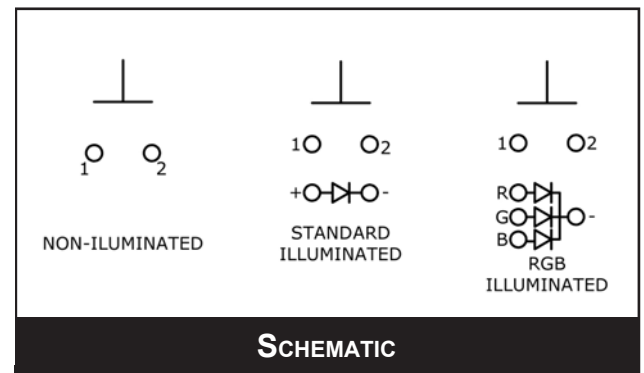
RING ILLUMINATED

## ACTUATOR OPTIONS



FLAT ACTUATOR

HIGH ACTUATOR



ANTI-VANDAL SWITCHES  
DETECTOR SWITCHES  
DIP SWITCHES  
KEYLOCK SWITCHES  
NAVIGATION SWITCHES  
PUSHBUTTON SWITCHES  
ROCKER SWITCHES  
ROTARY SWITCHES  
SLIDE SWITCHES  
SNAP ACTION SWITCHES  
TACTILE SWITCHES  
TOGGLE SWITCHES  
CAP OPTIONS