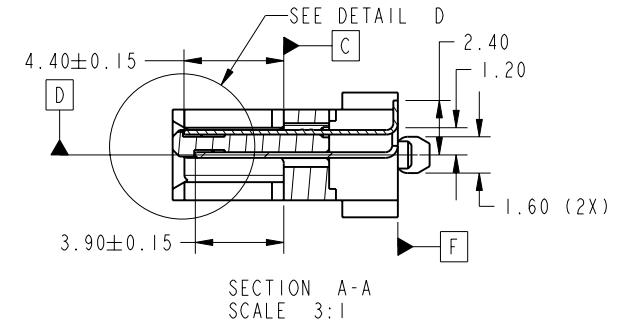
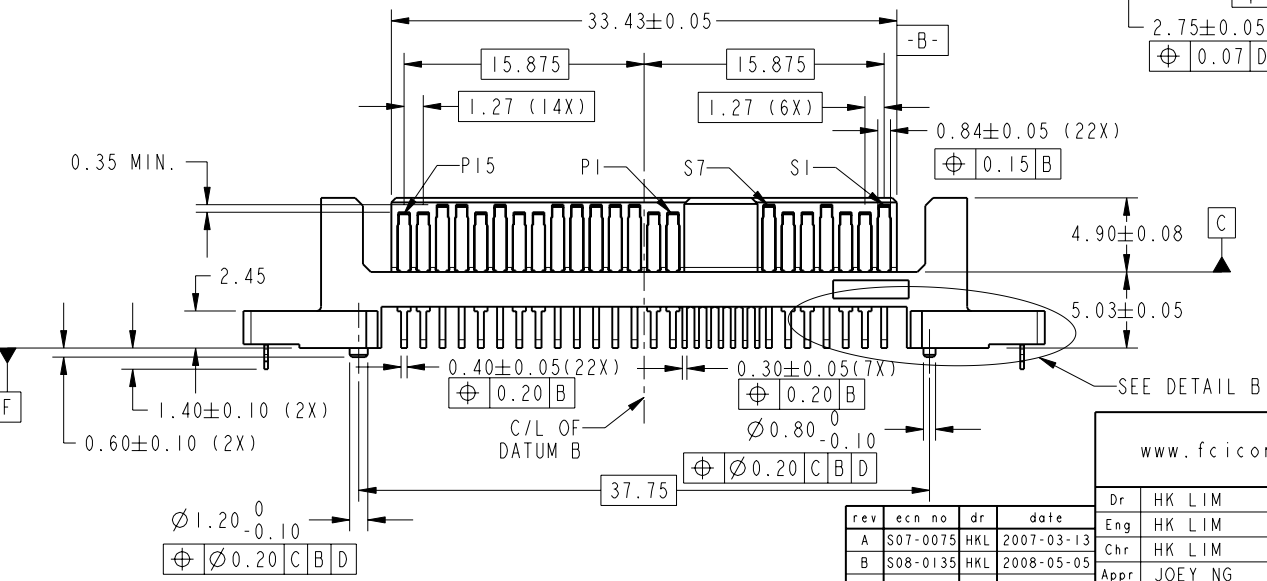
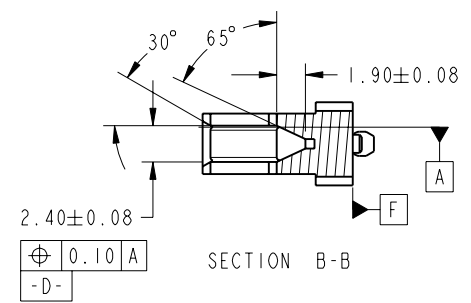
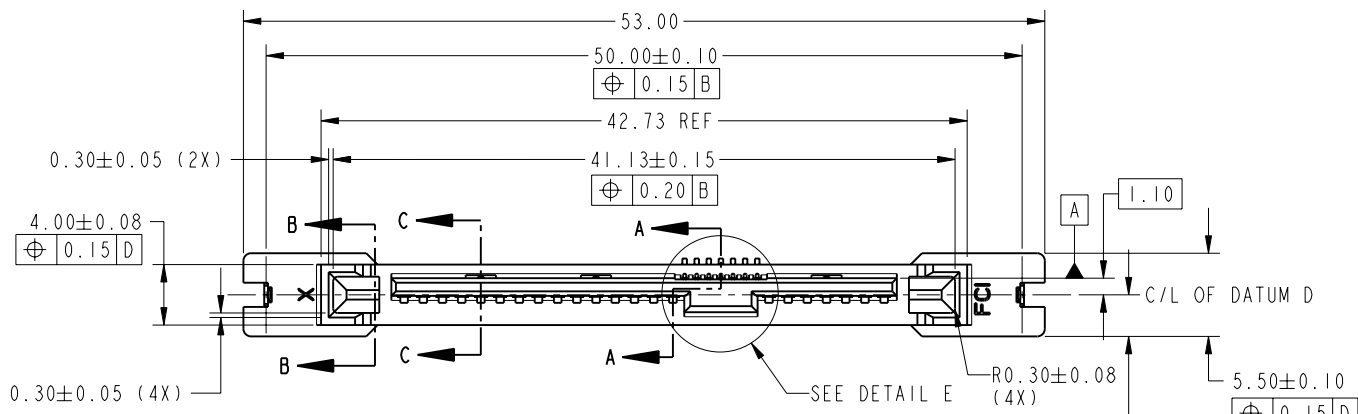
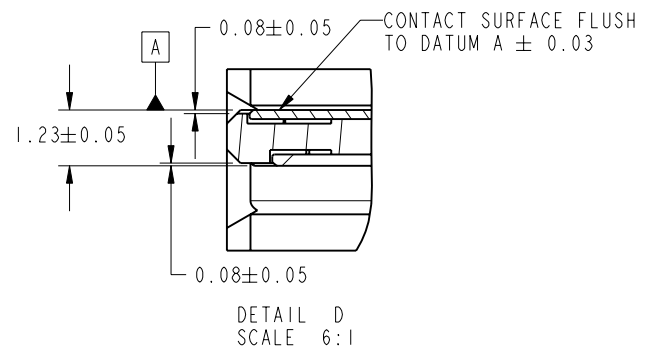
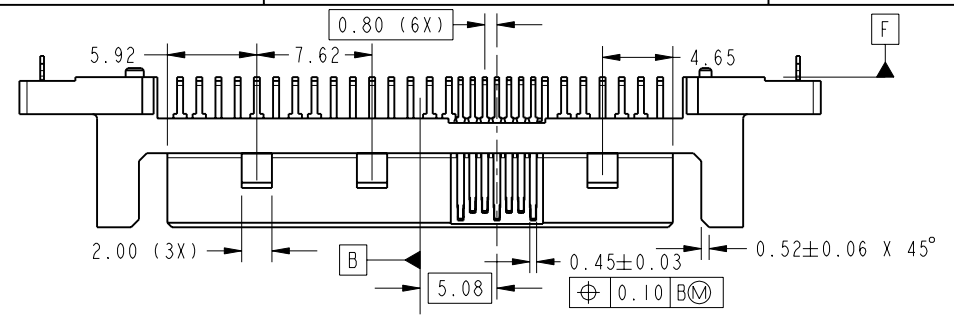


PRODUCT NO.
10071375-001LF



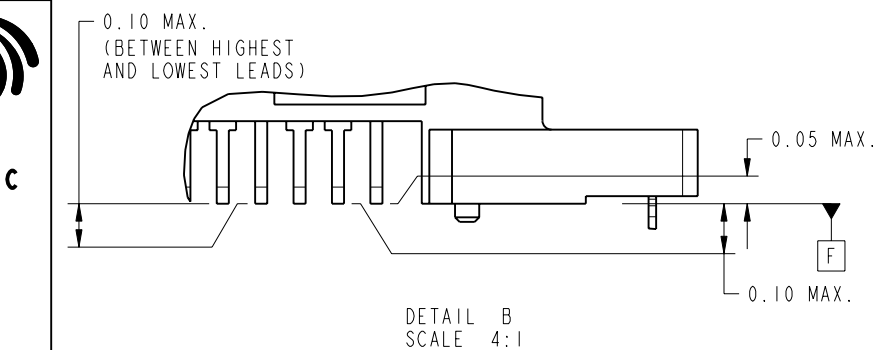
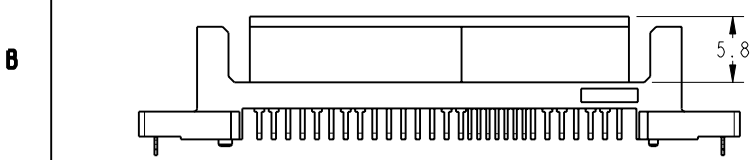
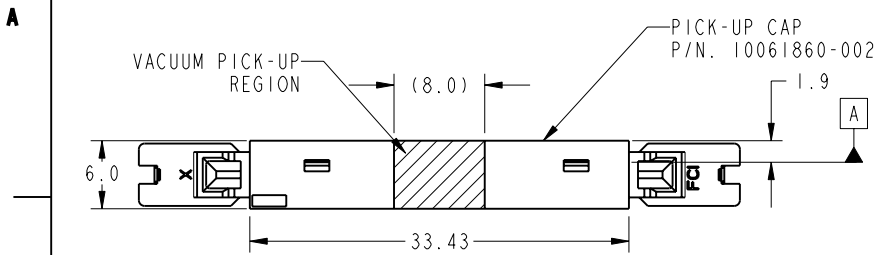
www.fciconnect.com		surface ASME Y14.5	tolerance std ASME Y14.5	projection	MM
		TOLERANCES UNLESS OTHERWISE SPECIFIED		size A4	Scale 2:1
Dr	HK LIM	2006-09-01	ANGULAR	0.X ±0.25	ECN S08-0135
Eng	HK LIM	2008-05-05	LINEAR	0.XX ±0.20	Spec ref
Chr	HK LIM	2008-05-05	0° ±2°	0.XXX ±0.050	
Appr	JOEY NG	2008-05-05	Product family		
FCI		SAS PLUG VERTICAL SMT ASSY		dwg no 10071375	Rev. B
catalog no		CUSTOMER		sheet 1 of 2	

rev	ecn no	dr	date
A	S07-0075	HKL	2007-03-13
B	S08-0135	HKL	2008-05-05
-	-	-	-
-	-	-	-

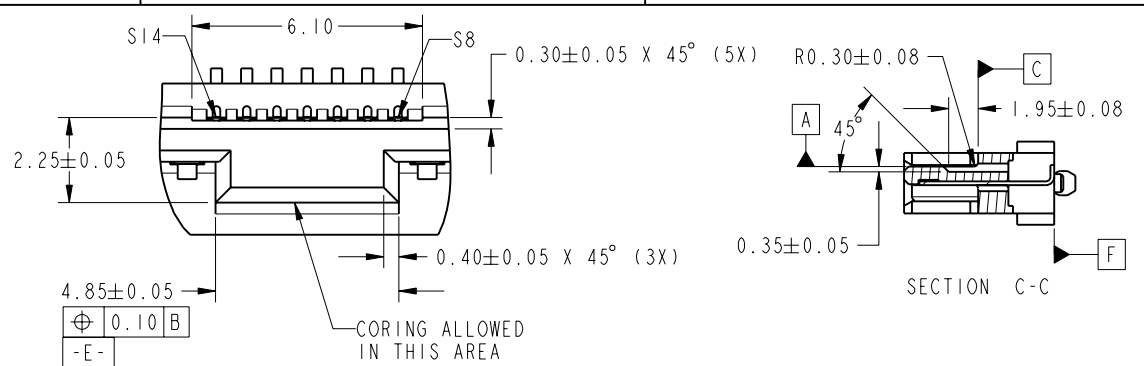
REV E - 2006-03-28

Copyright FCI

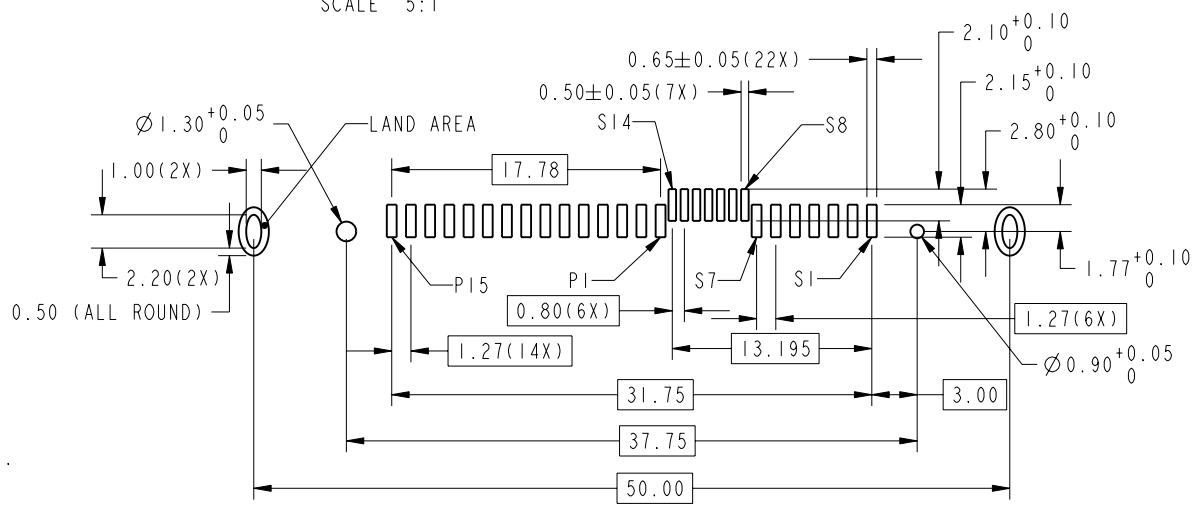
PRODUCT NO.	WITH PICK-UP CAP	PACKAGING
10071375-001LF	NO	TRAY
10071375-001CLF	YES	



- NOTES:
- MATERIAL:
HOUSING & CAP: HIGH TEMPERATURE PLASTIC, BLACK, UL94V-0
CONTACT: COPPER ALLOY
HOLD DOWN: COPPER ALLOY
 - FINISH:
1.27um MIN NICKEL UNDERPLATE OVERALL,
2.54um MIN TIN (LEAD-FREE) ON SOLDER TAIL,
0.76um MIN GOLD ON CONTACT AREA
 - THIS PRODUCT MEETS EUROPEAN UNION DIRECTIVES AND OTHER COUNTRY REGULATIONS AS DESCRIBED IN GS-22-008
 - THE HOUSING WILL WITHSTAND EXPOSURE TO 260°C PEAK TEMPERATURE FOR 10 SECONDS IN A CONVECTION, INFRA-RED OR VAPOR PHASE REFLOW OVEN
 - PART WITH PICK-UP CAP, P/N. XXXXXXXX-XXXCLF
 - A SYMBOL (B) WILL BE NEXT TO ANY DIMENSION, VIEW OR NOTE WHICH HAS BEEN MODIFIED WITH THE CURRENT DRAWING REVISION



DETAIL E SCALE 5:1



RECOMMENDED SOLDER PAD LAYOUT



Copyright FCI.

FCI	TITLE	SAS PLUG	dwg no	10071375	Rev.	B
		VERTICAL SMT ASSY				
	CATALOG NO		CUSTOMER		SHEET 2 OF 2	

REV E - 2006-03-28