



# MICRO SWITCH

FREEPORT, ILLINOIS, U.S.A.  
A DIVISION OF HONEYWELL

FED. MFG. CODE 91929

# ACTUATOR - SWITCH

CATALOG LISTING

## ADD 2721

ADD 2721

M

DRAWING NUMBER

ISSUE 3

REVISIONS

A C078036  
DLT  
17 JUN 94

B CO  
79303  
SAD  
4 MAR 95

DCS 13 JUL 89

DCS 14 JUL 89

DCS 13 JUL 89

FC-90378

FREE POSITION ADJUSTMENT TAB

6-32 UNC X 1.125 REF ROUND HEAD MACHINE SCREW (2)  $\triangle$

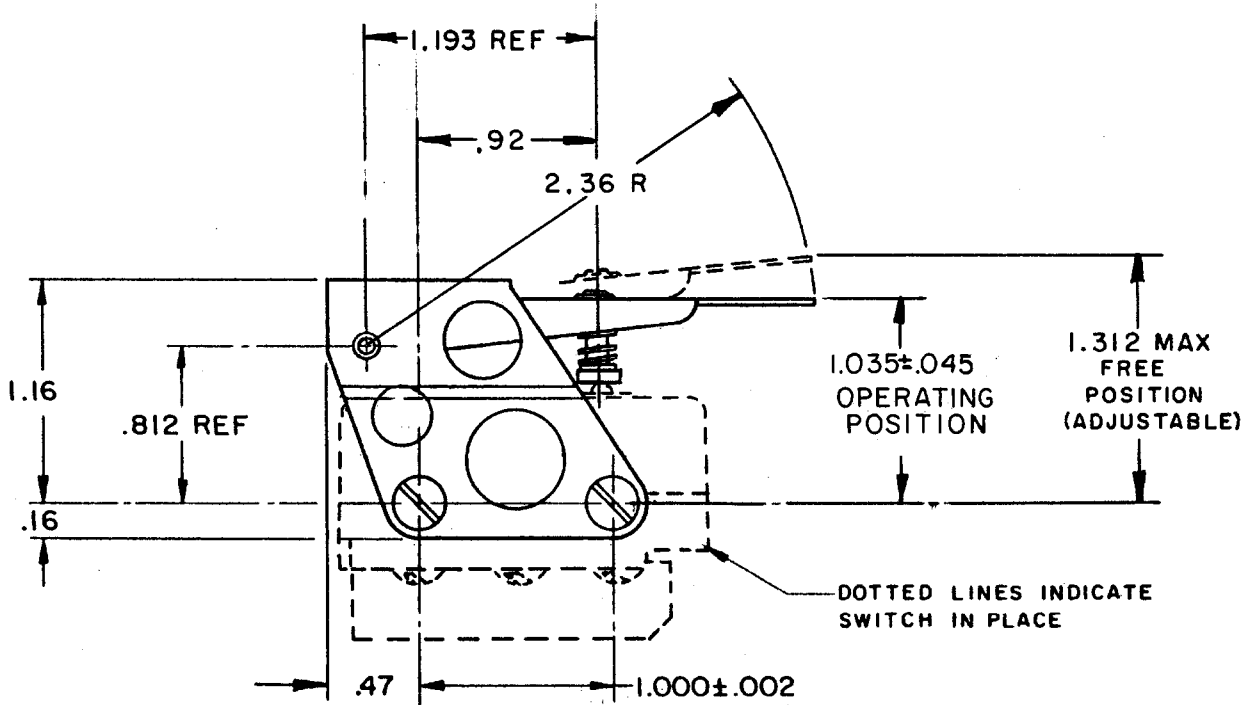
6-32 UNC HEX NUT (2)  $\triangle$

LOCKWASHER (2)  $\triangle$

.375 REF

.75

.31



NOTE  $\triangle$  FURNISHED UNASSEMBLED

THIS DRAWING COVERS A PROPRIETARY ITEM AND IS THE PROPERTY OF MICRO SWITCH, A DIVISION OF HONEYWELL. THIS DRAWING IS NOT TO BE COPIED OR USED WITHOUT THE APPROVAL OF MICRO SWITCH.

CHARACTERISTICS WITH DT-2R-A7 BASIC SWITCH INSTALLED	ELECTRICAL DATA	SCALE FULL
OPERATING FORCE — — — 1 1/2 LB MAX	CONTACT ARRANGEMENT	DO NOT SCALE PRINT
RELEASE FORCE — — — 1/4 LB MIN		UNLESS OTHERWISE NOTED
DIFFERENTIAL TRAVEL — — — .141 MAX		DIMENSIONS ARE IN INCHES
OVERTRAVEL — — — .350 APPROX		<b>TOLERANCES ARE:</b>
		ONE PLACE (.0) $\pm$ .030
		TWO PLACE (.00) $\pm$ .015
		THREE PLACE (.000) $\pm$ .005
		ANGLES $\pm$
		WEIGHT