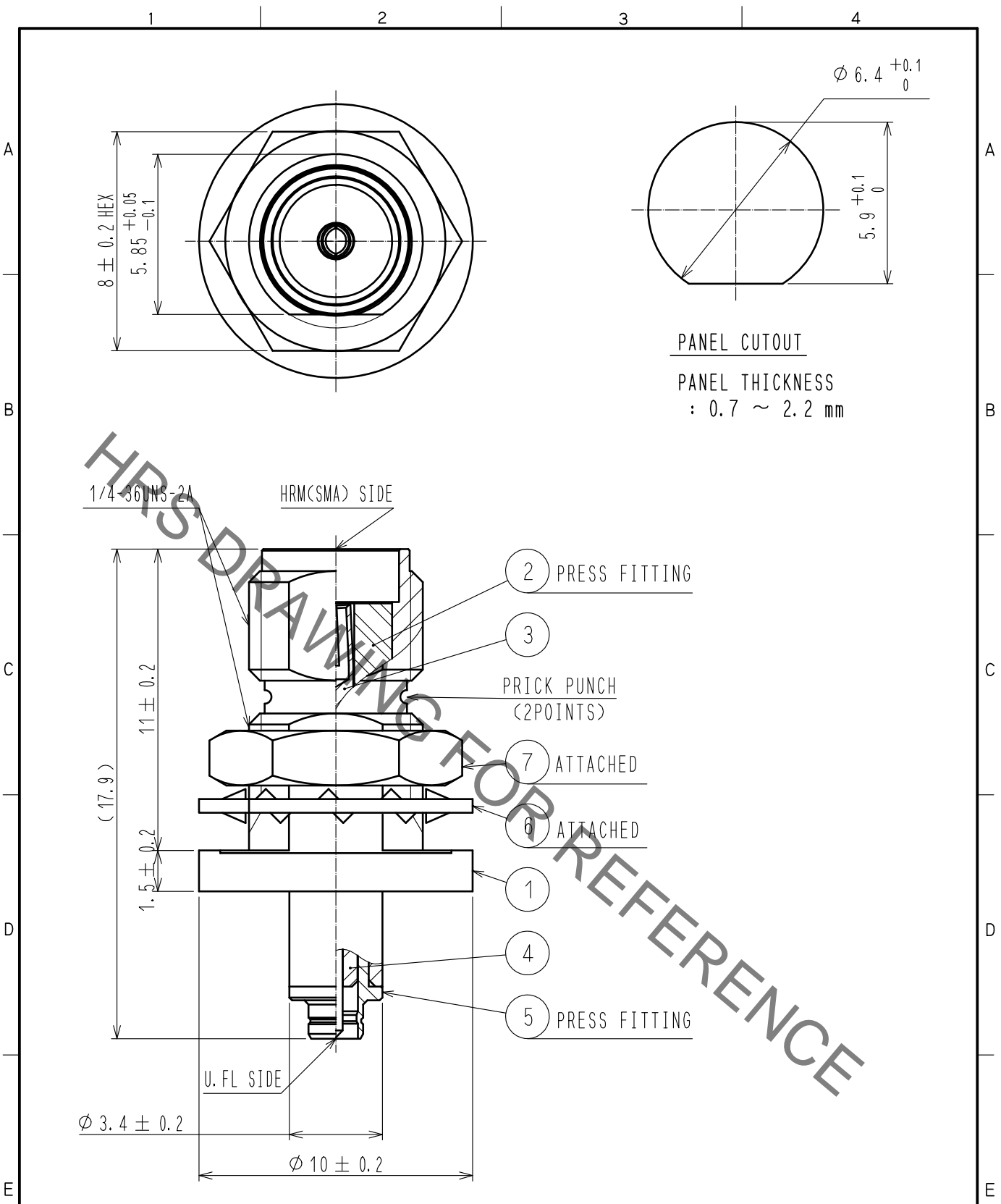


Jul.1.2019 Copyright 2019 HIROSE ELECTRIC CO., LTD. All Rights Reserved.
 In case of consideration for using Automotive equipment / device which demand high reliability, kindly contact our sales window correspondents.



RoHS COMPLIANT

NO.	MATERIAL	FINISH . REMARKS	NO.	MATERIAL	FINISH . REMARKS
4	PTFE		7	BRASS	NICKEL PLATING
3	BERYLLIUM COPPER	GOLD PLATING	6	BRASS	NICKEL PLATING
2	PTFE		5	BRASS	NICKEL PLATING
1	BRASS	NICKEL PLATING			

UNITS	SYMBOL	SCALE	COUNT	DESCRIPTION OF REVISIONS	DESIGNED	CHECKED	DATE
mm		5 : 1					
HRS HIROSE ELECTRIC CO., LTD. APPROVED : KY. SHIMIZU 16.08.23 CHECKED : TO. KATAYAMA 16.08.23 DESIGNED : RO. YOKOYAMA 16.08.22 DRAWN : RO. YOKOYAMA 16.08.22				DRAWING NO. EDC-349745-00-00 PART NO. HRMJ-U. FLJ-BPA-4 CODE NO. CL311-0463-7-00			