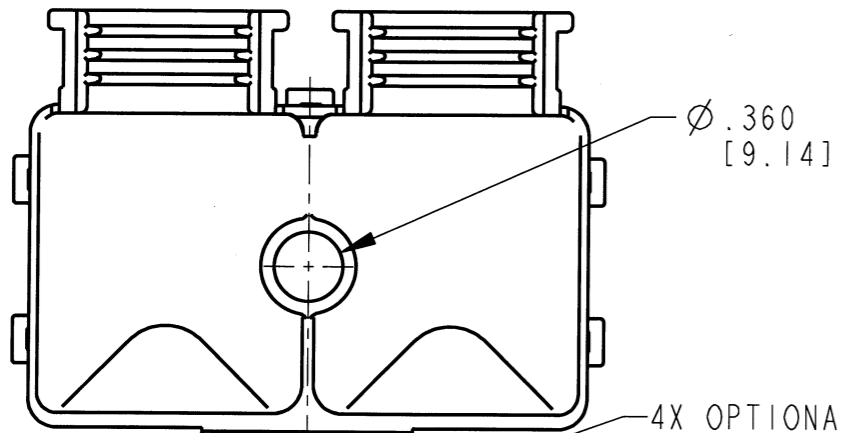
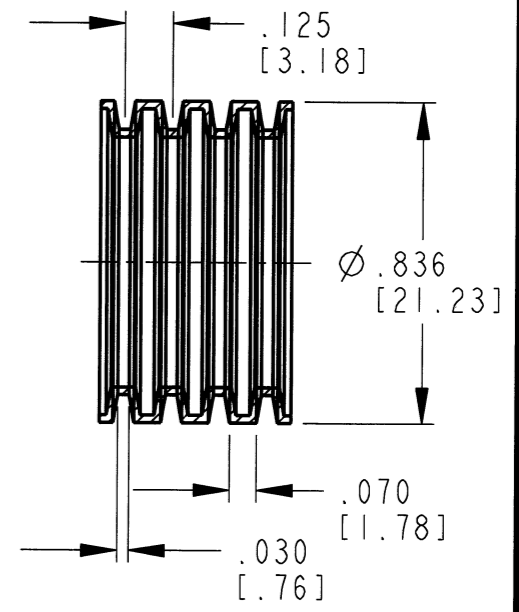
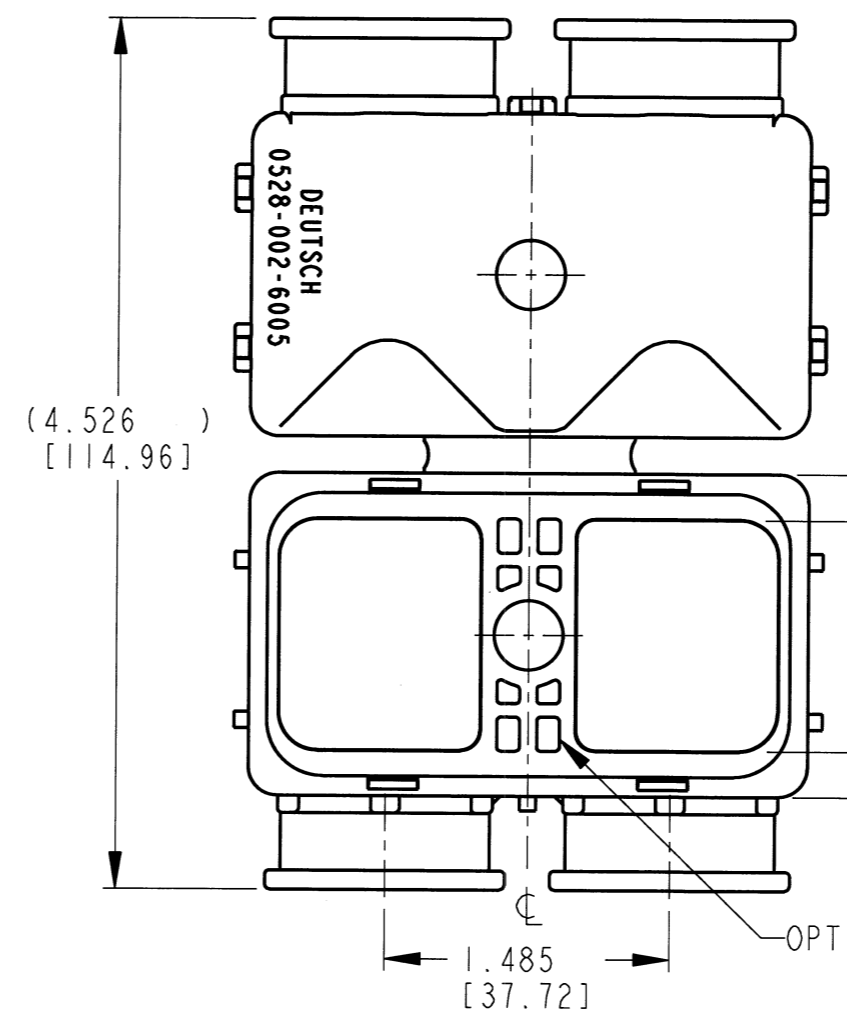
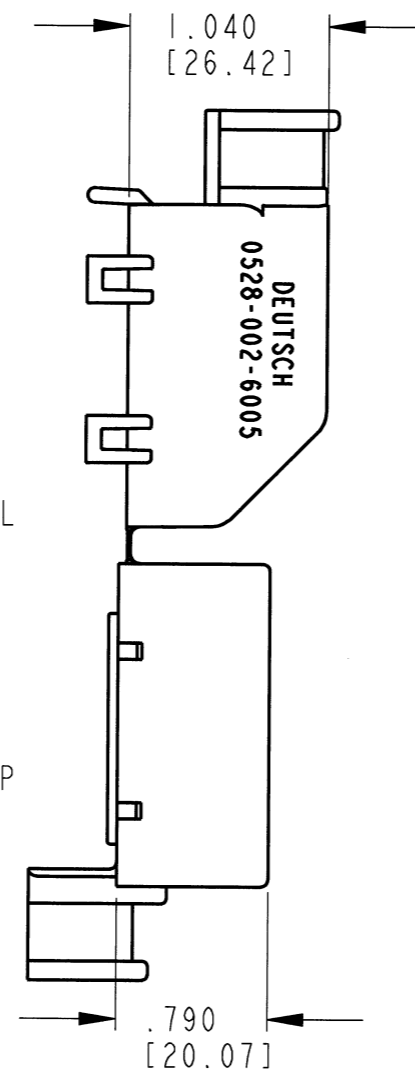


BACKSHELL CLOSED

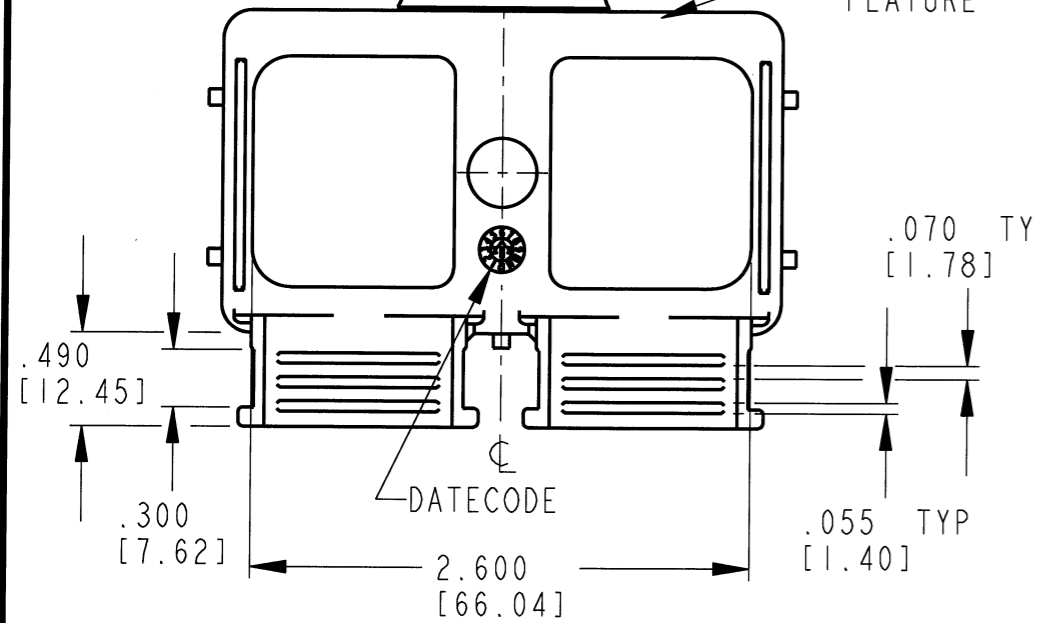
REVISIONS			
SYM	DESCRIPTION	DATE	APPROVED
B	REVISED PER E.O. P20382	12-10-09	R.D.R.
C	REVISED PER E.O. P20556	7-20-10	R.D.R.
D	REVISED PER E.O. P21084	8-23-11	R.D.R.
E	REVISED PER E.O. P21138	1-3-12	RDR



4X OPTIONAL FEATURE



RECOMMENDED CONVOLUTE TUBING DIMENSIONS ARE FOR REFERENCE ONLY CUSTOMER SUPPLIED



- NOTES:
1. DIMENSIONAL TOLERANCE: ±.025 [0.63].
 2. ALL DIMENSIONS ARE IN INCHES [mm].
 3. THIS PART SNAPS ONTO DRC26-60S01 THROUGH DRC26-60S10.
 4. MATERIAL: PLASTIC; COLOR: BLACK.

SIGNATURE & DATE	
DR	D. MEYER 09/27/99
CHK	J. C. [Signature] 12/14/11
PE	D. Hasibuan 12/14/11
APPD	D. Meyer 1/2/12
SCALE	NONE WT 37g

**90° BACKSHELL
60 CONTACTS
SIZE 20
DRC SERIES**

ENVELOPE

EP 075	MATL. CODE
3850 INDUSTRIAL AVE. HEMET, CA 92545	
B 0528-002-6005	
DWG SIZE	CODE 11139 SHEET OF