

# MICRO SWITCH

FREERPORT ILLINOIS, U.S.A  
A DIVISION OF HONEYWELL INC.  
FED. MFG. CODE 91929

# ACTUATOR-SWITCH

CATALOG LISTING

## JM-12

CATALOG LISTING

### JM-12

PAGE 1 OF 1

REPLACES

RELEASE NO. PR-17013

# M

ISSUE  
**6**

CHECK

REVISIONS

A	PR-17013 KAK 23 JAN 89
B	CO79903 DLT 3 MAR 95
C	206498 CSL 23 SEP 02
D	206610 CSL 10 OCT 02

CHECK

25 JAN 89

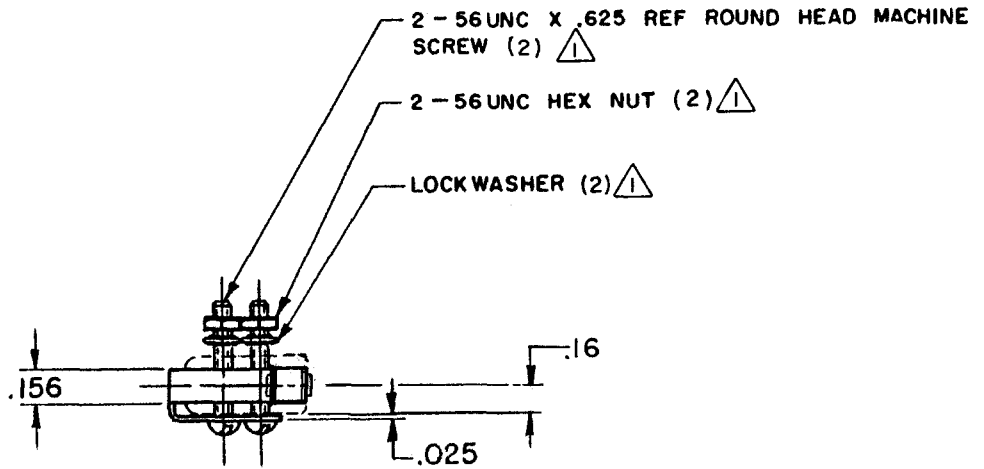
23 JAN 89

RASTER

FO-52848-B

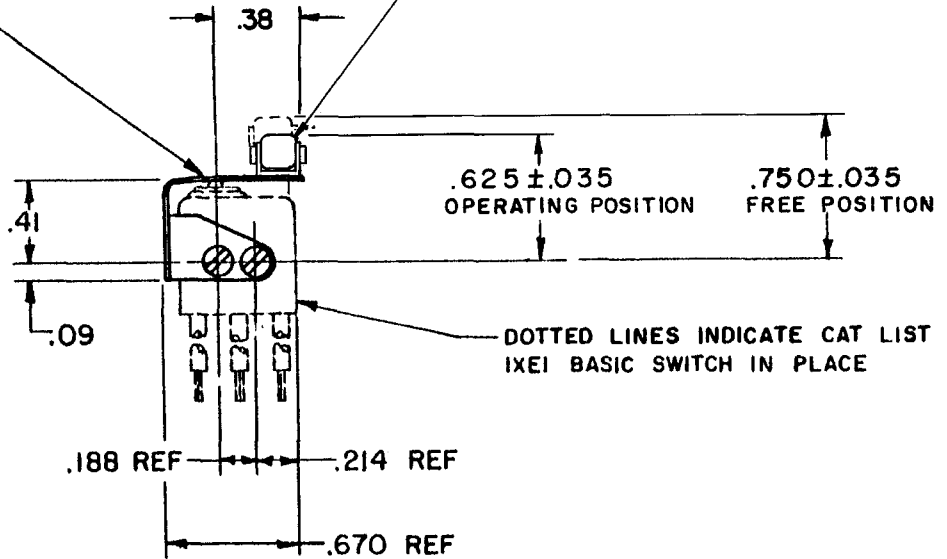
DRAWN

KAK 23 JAN 89



.012 THICK CORROSION RESISTANT STEEL LEAF

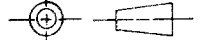
.19 DIA X .19 WIDE SST ROLLER (CONCENTRICITY .005 MAX FIM)



NOTE  
 $\triangle$  FURNISHED UNASSEMBLED

THIS DRAWING COVERS A PROPRIETARY ITEM AND IS THE PROPERTY OF MICRO SWITCH, A DIVISION OF HONEYWELL. THIS DRAWING IS NOT TO BE COPIED OR USED WITHOUT THE APPROVAL OF MICRO SWITCH.

THIRD ANGLE PROJECTION



### CHARACTERISTICS

OPERATING FORCE - - - - 21 OZ MAX

RELEASE FORCE - - - - - 3 OZ MIN

DIFFERENTIAL TRAVEL - - - .012 MAX

OVERTRAVEL - - - - - .009 MIN

### ELECTRICAL DATA

CONTACT ARRANGEMENT

### SCALE FULL

### DO NOT SCALE PRINT

UNLESS OTHERWISE SPECIFIED TOLERANCES ARE

ONE PLACE (.0)  $\pm$  .030

TWO PLACE (.00)  $\pm$  .015

THREE PLACE (.000)  $\pm$  .005

ANGLES  $\pm$

WEIGHT