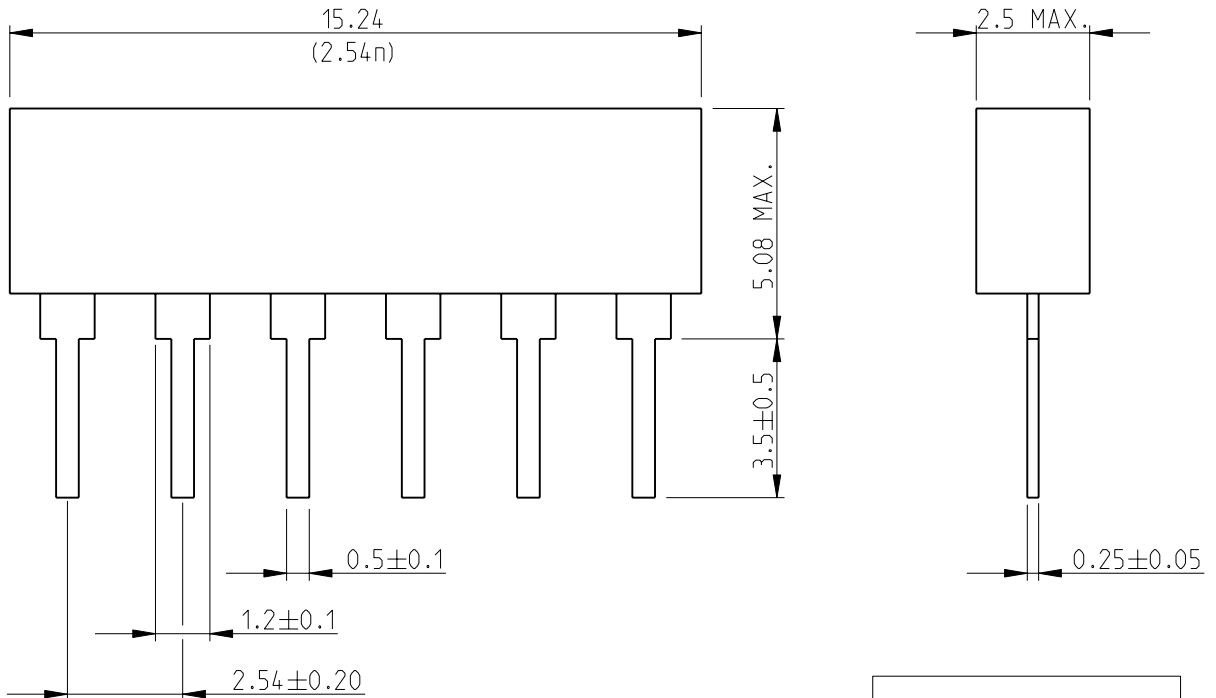
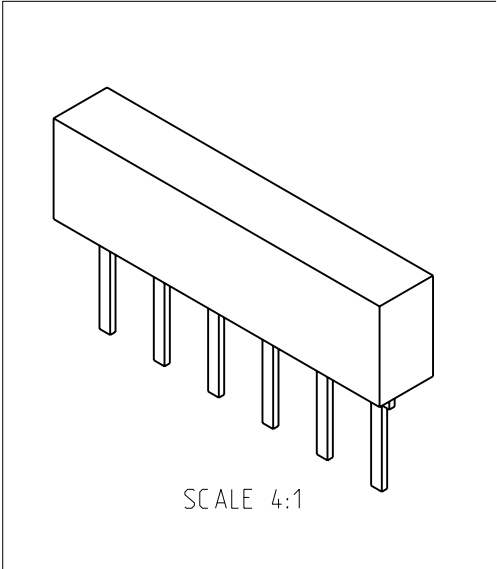


| | | | | | | | |
|-----|------|-----------|-----|-------------|-----------|-----|------|
| LOC | DIST | REVISIONS | | | | | |
| E | B | P | LTR | DESCRIPTION | DATE | DWN | APVD |
| | | BA | | NEW RELEASE | 22-OCT-09 | MRS | St.P |



RoHS Compliant



1. n = NUMBER OF PINS
2. FOR FURTHER INFORMATION SEE DATA SHEET FOR SERIES SIL, GENERAL PURPOSE RESISTOR NETWORKS

2009

RELEASED FOR PUBLICATION

THIS DRAWING IS UNPUBLISHED.

BY TYCO ELECTRONICS CORPORATION. ALL RIGHTS RESERVED.

© COPYRIGHT 2009

| | | | | | | |
|--|-------------------|---|--|---|--------|---|
| DIMENSIONS: mm | DWN MAHARUDRA | 22-OCT-09 | MATERIAL | - | FINISH | - |
| | CHK ALLAN.P | 22-OCT-09 | Tyco Electronics Corporation Dorcan, Swindon, SN3 5HH | | | |
| TOLERANCES UNLESS OTHERWISE SPECIFIED: | APVD STEPHEN.P | 22-OCT-09 | | | | |
| | 0 PLC ±0.2 | PRODUCT SPEC | NAME GENERAL PURPOSE RESISTOR NETWORKS SIL06 RESISTOR NETWORKS | | | |
| 1 PLC ±0.1 | APPLICATION SPEC | SIZE CAGE CODE DRAWING NO RESTRICTED TO | | | | |
| 2 PLC ± | - | A 4 00779 C-1622802 - | | | | |
| 3 PLC ± | WEIGHT | - | | | | |
| 4 PLC ± | CUSTOMER DRAWING | SCALE 6:1 SHEET 1 OF 1 REV BA | | | | |
| ANGLES ±5° | | | | | | |