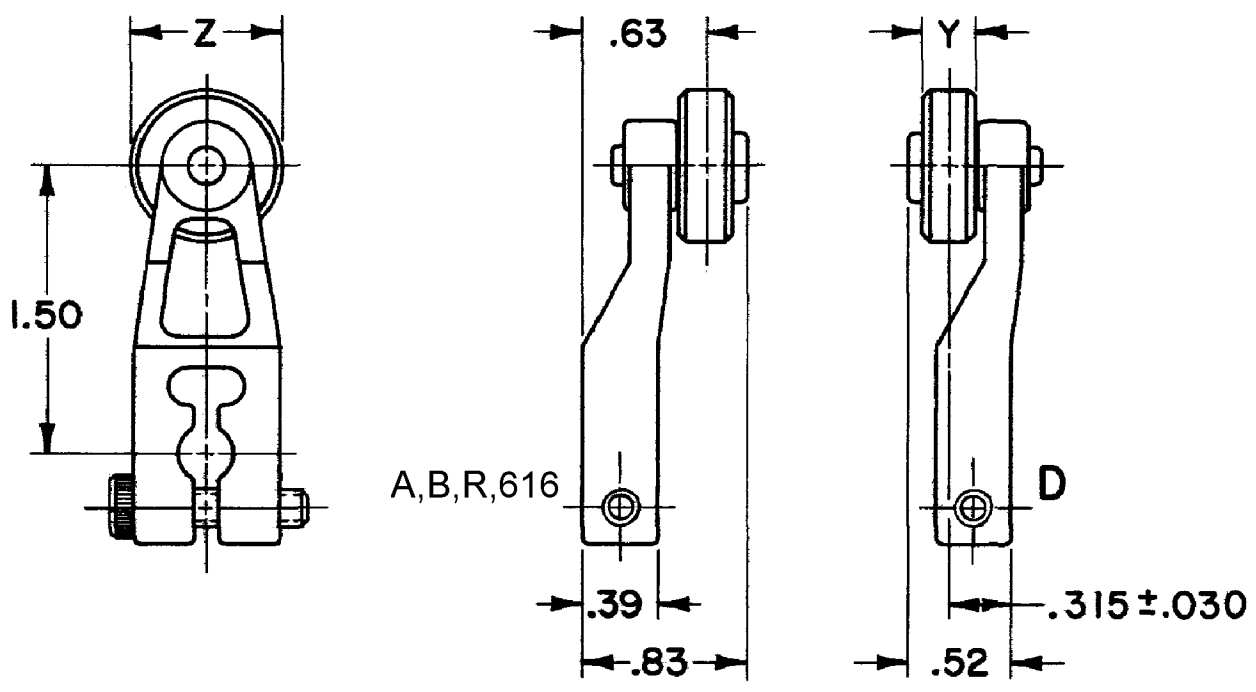
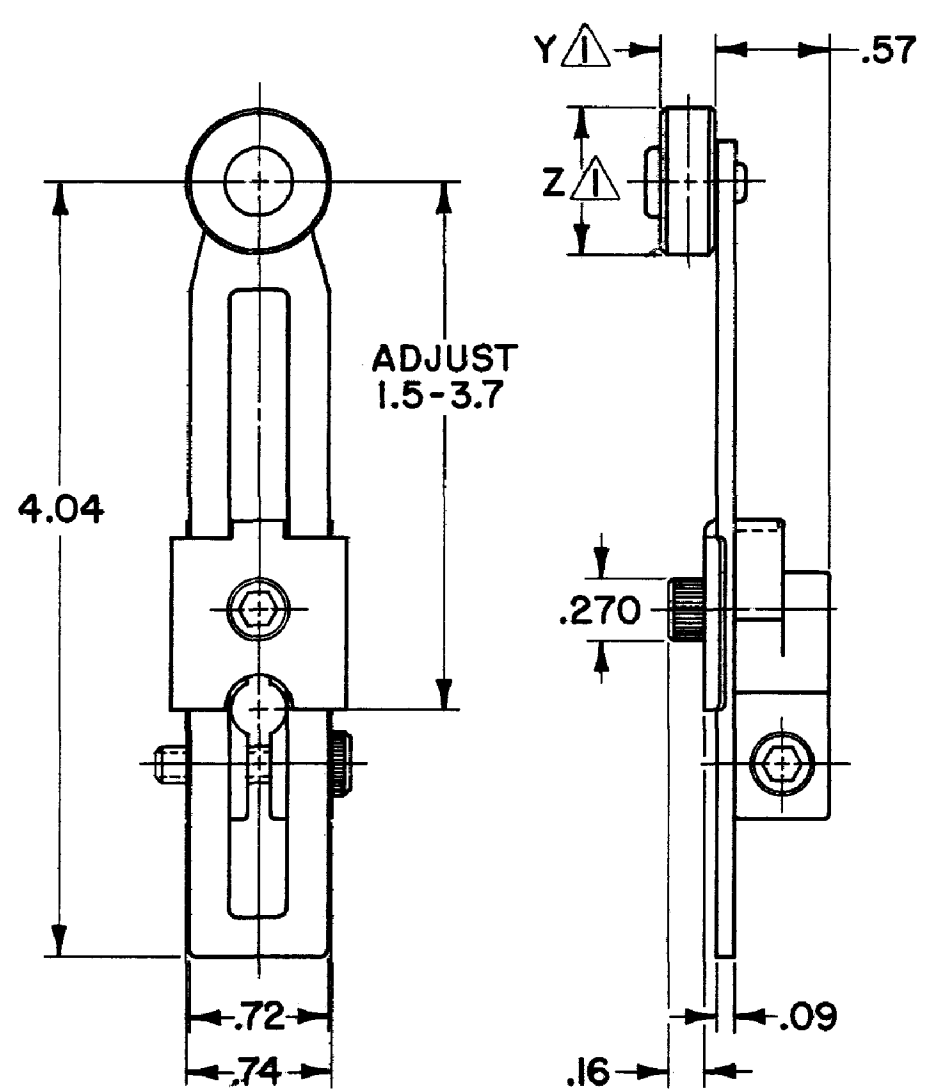


LEVERS FOR ROTARY LIMIT SWITCHES



CATALOG LISTING	ROLLER	Z DIA.	Y WIDTH
LS2Z51A	NYLON	.750	.280
LS2Z51B	STAINLESS STEEL	.750	.280
LS2Z51D	STAINLESS STEEL	.750	.280
LS2Z51R	NYLON	1.59	.280
LS2Z616 ²	STAINLESS STEEL	.750	.280

LEVERS FOR ROTARY LIMIT SWITCHES



CATALOG LISTING	ROLLER	Z DIA.	Y WIDTH
LS2Z52B ¹	STAINLESS STEEL	.750	.280
LS2Z52D	STAINLESS STEEL	.750	.280
LS2Z52A ¹	NYLON	.750	.280

NOTES
¹ ROLLER ON OPPOSITE SIDE OF LEVER
² LEVER TO ACCEPT SPLINE SHAFT

MASTER REDUCED

MICRO SWITCH
 FREEPORT ILLINOIS U.S.A.
 A DIVISION OF HONEYWELL
 FED. REG. CODE 41323

THIS DRAWING COVERS A PROPRIETARY ITEM AND IS THE PROPERTY OF MICRO SWITCH, A DIVISION OF HONEYWELL. THIS DRAWING IS NOT TO BE COPIED OR USED WITHOUT THE APPROVAL OF MICRO SWITCH.

SWITCH-ENCLOSED

LS2Z SERIES
 CHART 1

DESIGN UNITS: INCHES
 TOLERANCES: .0005, .001, .002, .005, .010, .015, .030, .050, .100, .150, .300, .500, 1.000
 DIMENSIONS ARE TO UNLESS OTHERWISE SPECIFIED
 PROTECTIVE COATING AND FINISH ARE AS APPLICABLE
 WEIGHT

CATALOG LISTING	Z DIA	Y LENGTH
LS2Z54N	.125	13.0
LS2Z54	0	0

