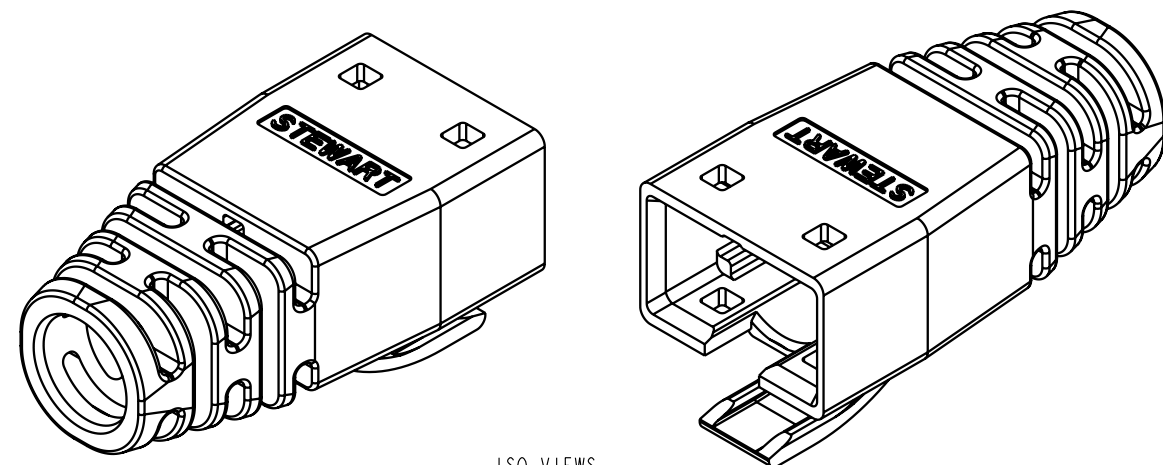
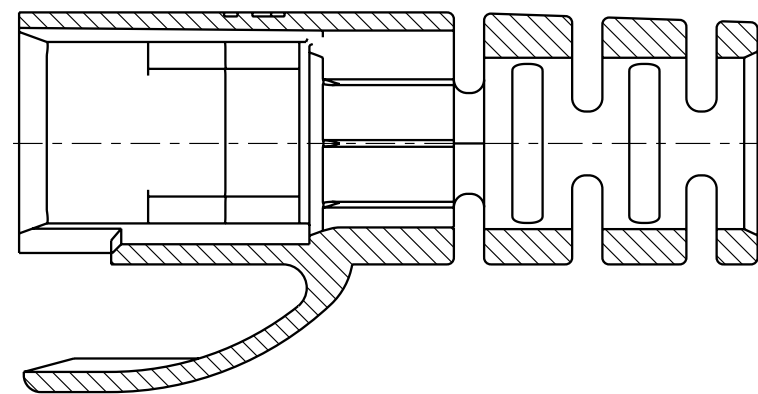
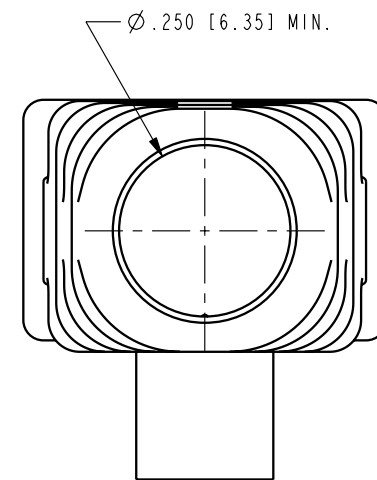
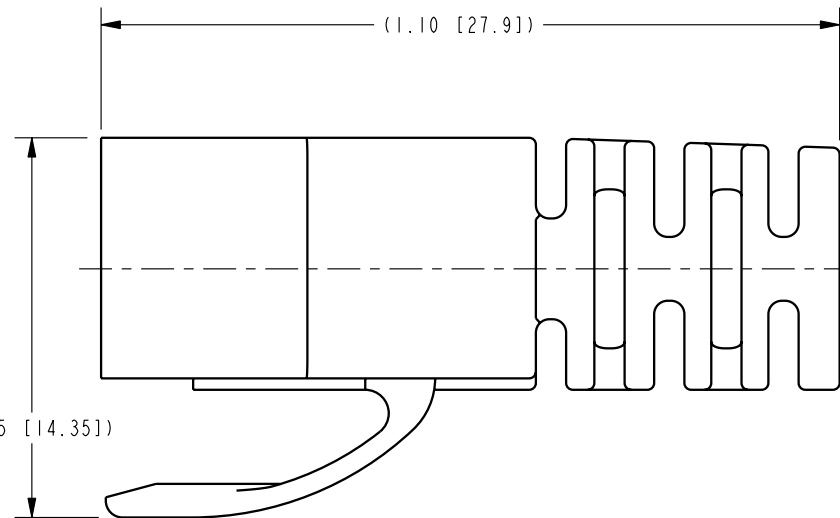
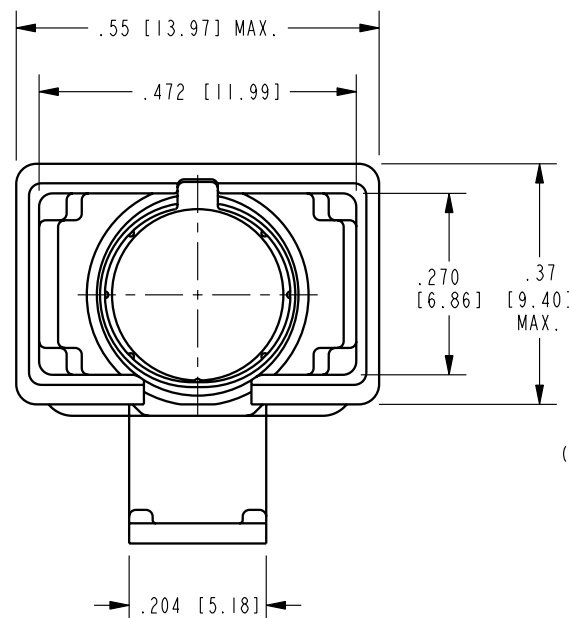


DATE	REV.	ECN	APP'D BY
5-8-07	A4	8042	TRM
12-26-07	B0	8318	TRM
6-23-08	B1	8468	TRM



ISO VIEWS

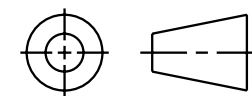


PART NUMBER	COLOR	RAL-Color Code
39200-838	BLACK	9011
39200-842	CLOUD WHITE	7035
39200-843	DARK GREY	7038
39200-844	WHITE	9010
39200-845	RED	3002
39200-846	GREEN	6016
39200-847	YELLOW	1012
39200-848	BLUE	CUSTOM COLOR SIMILAR TO 5015
39200-849	PURPLE	4001
39200-850	ORANGE	CUSTOM COLOR SIMILAR TO 2003

NOTES:

- MATERIAL: POLYCARBONATE, UL 94-V0
- GROMMET IS FOR CABLES WITH OUTSIDE NOMINAL DIAMETERS OF .232 [5.90] TO .248 [6.30].

THIRD ANGLE PROJECTION

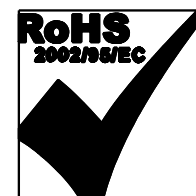


DO NOT SCALE DRAWING  
DRAWING IS SUBJECT TO  
CHANGE WITHOUT NOTICE

DIMENSIONS: INCHES [METRIC]

UNLESS OTHERWISE SPECIFIED  
TOLERANCES ARE ±.005 [0.13]  
ANGLES ARE ±1°

SHEET NO.  
1 OF 1



# Bel Stewart Connector

11118 Susquehanna Trail South  
Glen Rock, PA 17327-9199  
(717) 235-7512 Fax: (717) 235-7954 <http://www.stewartconnector.com>

TITLE: HARD MOLDED BOOT FOR CAT 6 SHIELDED PLUG

THIS DRAWING AND THE SUBJECT MATTER SHOWN THEREON ARE CONFIDENTIAL AND THE PROPRIETARY PROPERTY OF BEL STEWART CONNECTOR AND SHALL NOT BE REPRODUCED, COPIED, OR USED IN ANY MANNER WITHOUT PRIOR WRITTEN CONSENT OF BEL STEWART CONNECTOR. THE SUBJECT MATTER MAY BE PATENTED OR A PATENT MAY BE PENDING.

DRN BY:	TRM	DATE	1-21-05
APPD BY:	DHG	DATE	1-21-05
DWG. NO.	CT390038	REV.	B1

B

B

A

A