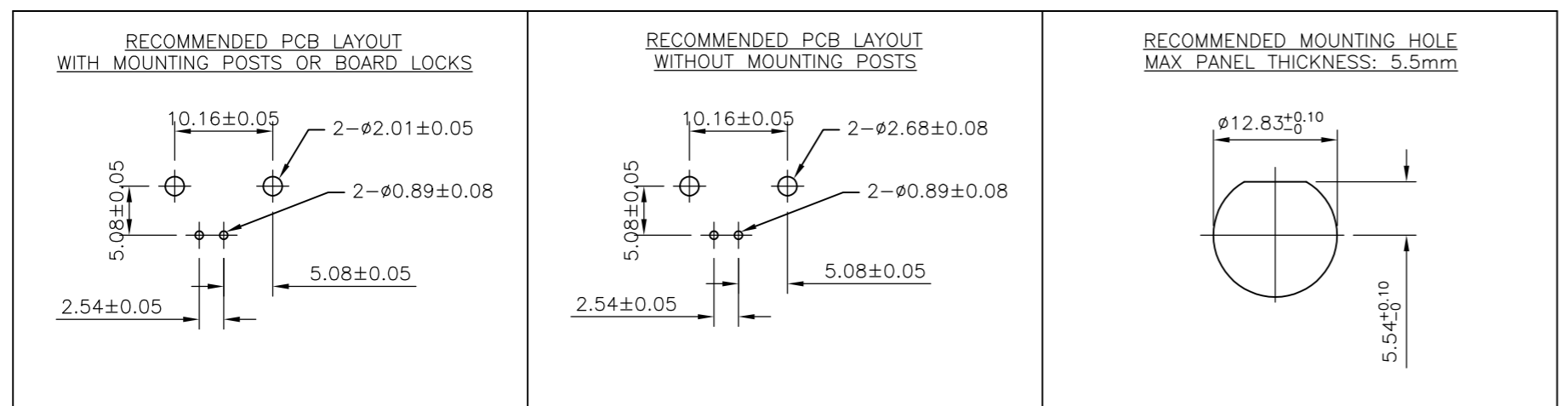
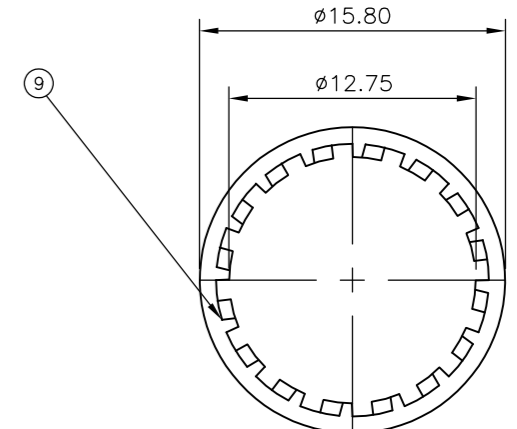
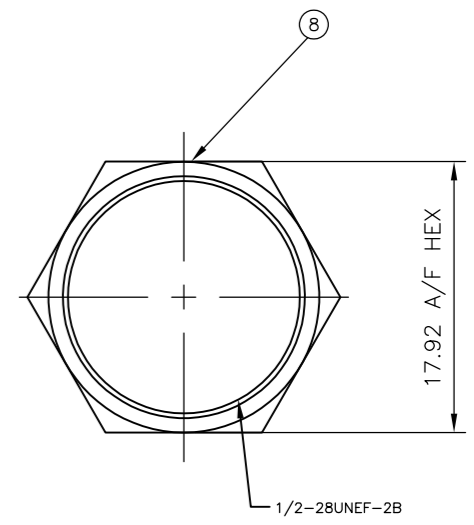
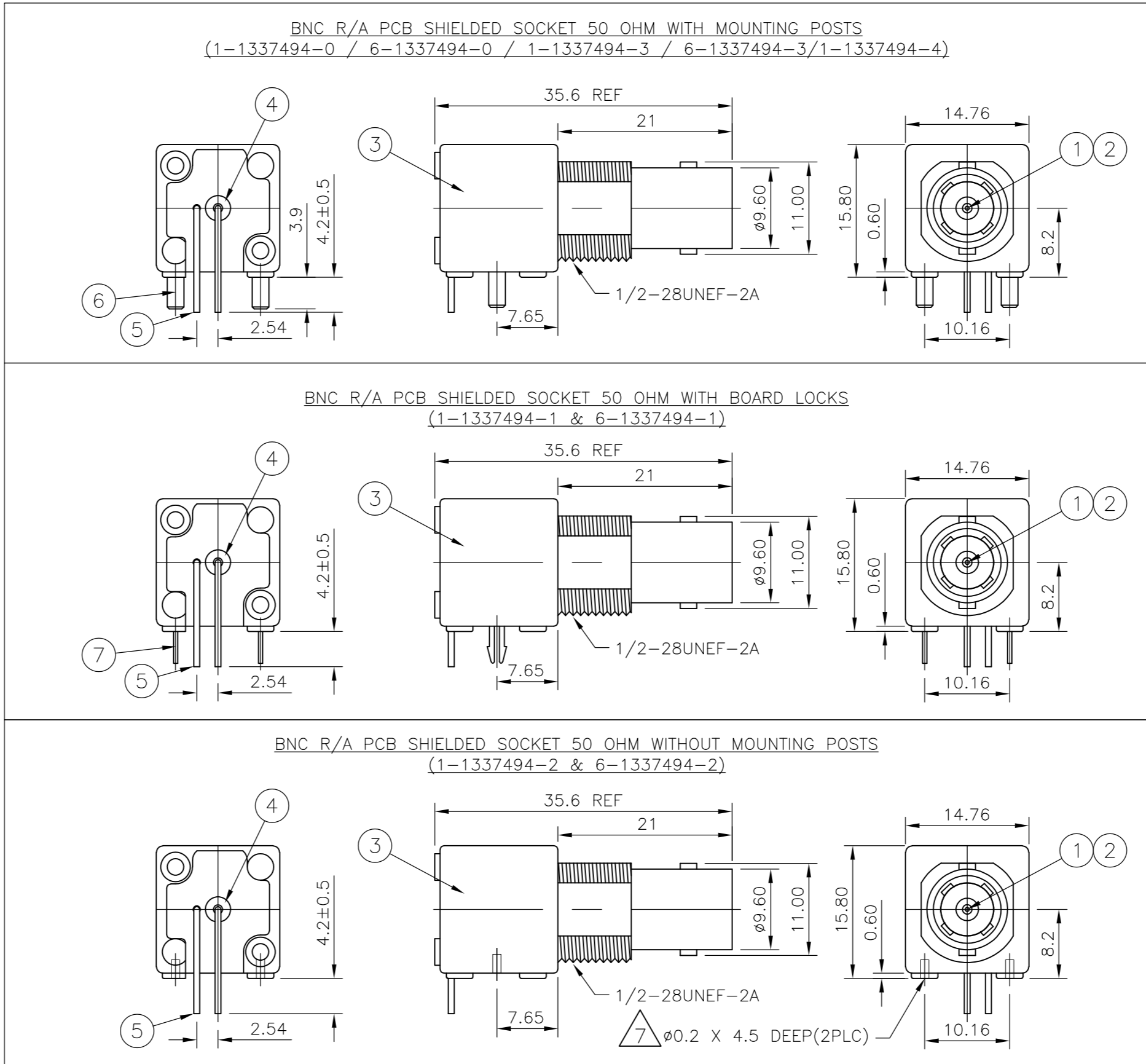


THIS DRAWING IS UNPUBLISHED. RELEASED FOR PUBLICATION AUGUST, 2005.
 © COPYRIGHT 2005 BY - ALL RIGHTS RESERVED.

LOC	DIST	REVISIONS			
P	LTR	DESCRIPTION	DATE	DWN	APVD
E	B				
F2		REVISED PER ECO-12-009825	19NOV12	KH	FB

- 1 SINGLE PACK IN ACCORDANCE WITH AMP SPEC 107-3275
- 2 50 TRAY PACK IN ACCORDANCE WITH AMP SPEC 107-3275
- 3 FLASH Au PLATING OVER Ni PLATING OVER Cu PLATING
- 4 0.8μm Au PLATING OVER Ni PLATING OVER Cu PLATING
- 5 Ni PLATING OVER Cu PLATING
- 6 TIN PLATING
- 7 RECOMMENDED SELF-TAPPING SCREW 221108-4
- 8 RECOMMENDED MOUNT NUT 1-1634816-0
- 9 RECOMMENDED LOCKWASHER 1-1634817-0
- 10 FOR TECHNICAL DATA REFER TO YOUR LOCAL TE CONNECTIVITY SALES OFFICE
- 11 ALL DIMENSIONS ARE NOMINAL FOR REFERENCE ONLY UNLESS OTHERWISE STATED
- 12 OBSOLETE



QTY	UNIT	DESCRIPTION	ITEM
1	-	STEEL	5 LOCK WASHER 9
1	-	BRASS	5 NUT 8
-	-	BRASS	6 BOARD LOCK 7
2	2	BRASS	6 MOUNTING POST 6
1	1	BRASS	6 SOLDER TAIL 5
1	1	PE-606	INSULATOR 4
1	1	ZINC ALLOY	5 BODY 3
-	1	BRASS	4 CONTACT 2
1	-	PHOSPHOR BRONZE	3 CONTACT 1
1-4	6--3	1-3	6--2
1-2	1-2	1-2	6--1
1-1	6--0	1--0	
MATERIAL DESCRIPTION ITEM			

THIS DRAWING IS A CONTROLLED DOCUMENT.

DIMENSIONS: mm

TOLERANCES UNLESS OTHERWISE SPECIFIED:

0 PLC	± 0.5
1 PLC	± 0.3
2 PLC	± 0.2
3 PLC	± -
4 PLC	± -
ANGLES	± -

MATERIAL: SEE TABLE

FINISH: SEE TABLE

DATE: 14 Feb 09

NAME: RITA ZUO, ANSON MA, BOB ZHAO

PRODUCT SPEC: 108-112000

APPLICATION SPEC: -

WEIGHT: -

CUSTOMER DRAWING

SCALE: NTS

SHEET: 1 of 1

REV: F2

TE Connectivity

BNC R/A PCB SHIELDED SOCKET 50 OHM

SIZE: A2

CAGE CODE: 00779

DRAWING NO: C=1337494

RESTRICTED TO: -