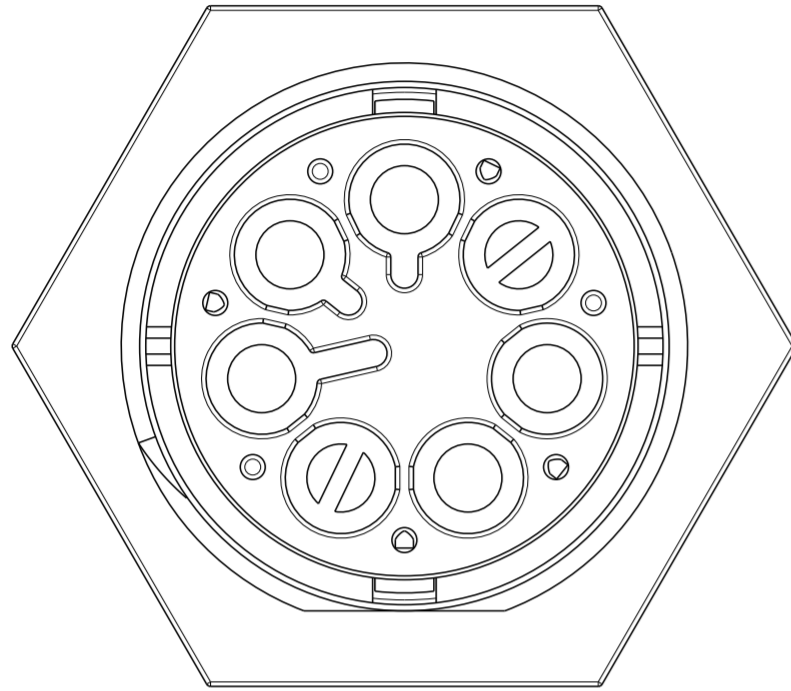


THIS DRAWING IS UNPUBLISHED. RELEASED FOR PUBLICATION 2011
 © COPYRIGHT 2011 ALL RIGHTS RESERVED.

LOC	DIST	REVISIONS			
P	LTR	DESCRIPTION	DATE	DWN	APVD
	-	SEE SHEET 1	-	-	-

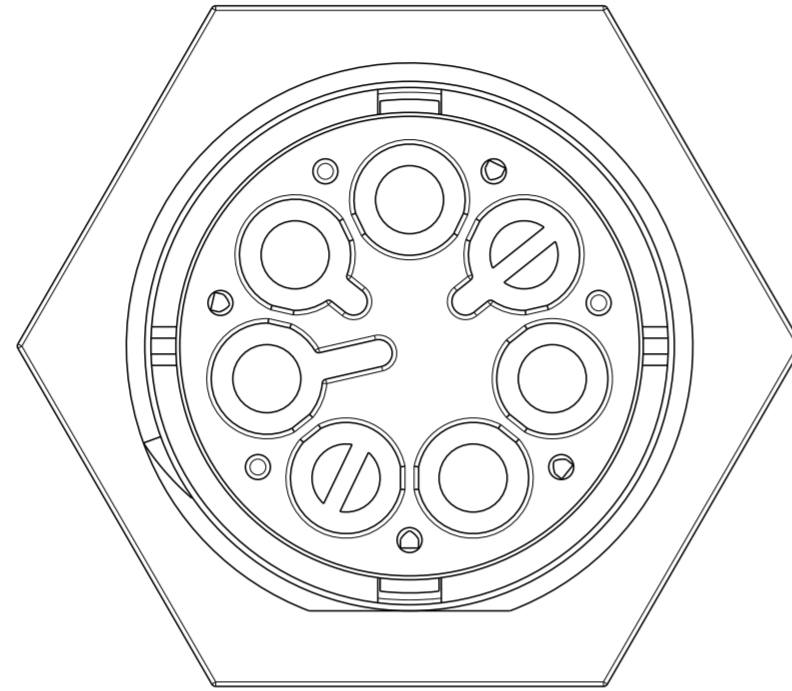
POLARIZATION TYPES

POLARIZATION TYPE "A"



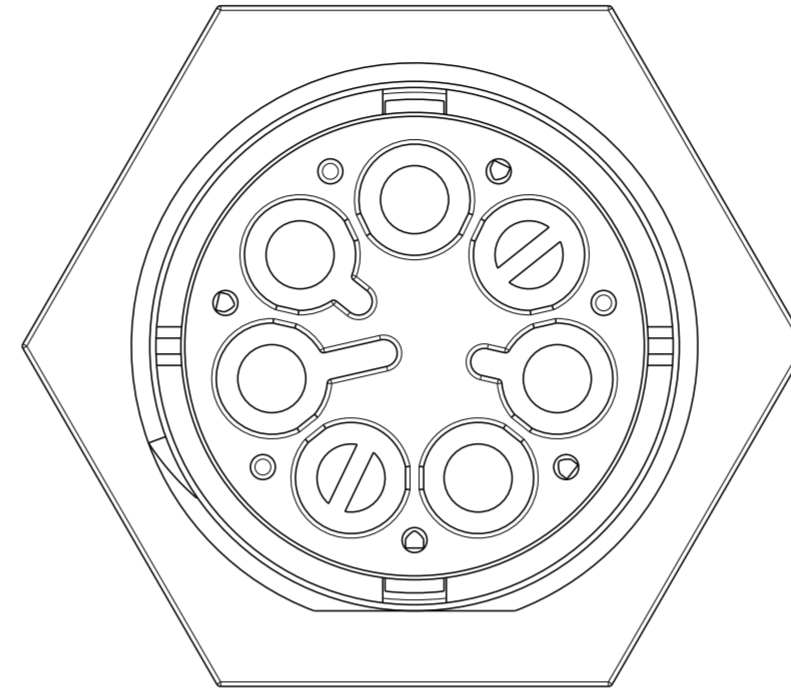
PNs 0-293688-1 AND
1-293688-1

POLARIZATION TYPE "B"



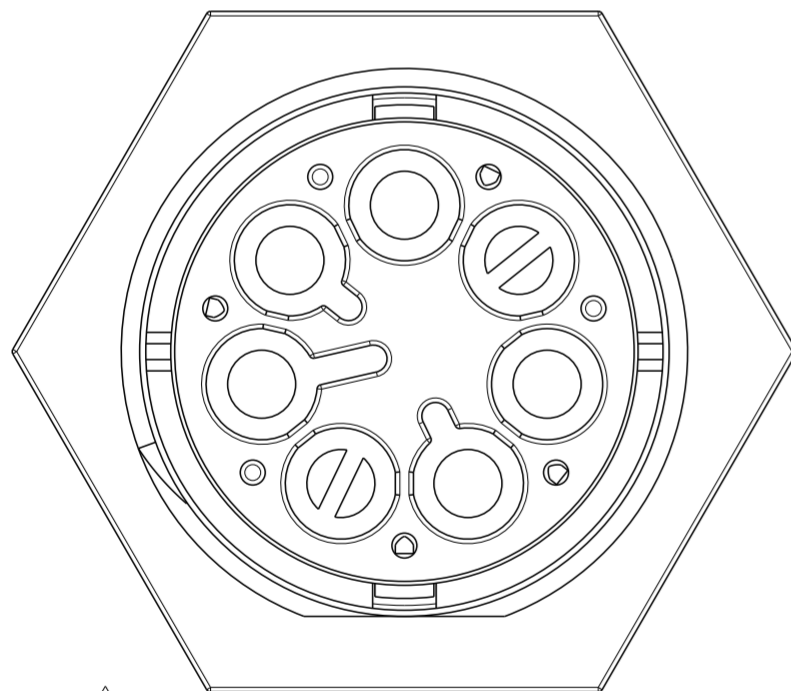
PNs 0-293688-2 AND
1-293688-2

POLARIZATION TYPE "C"



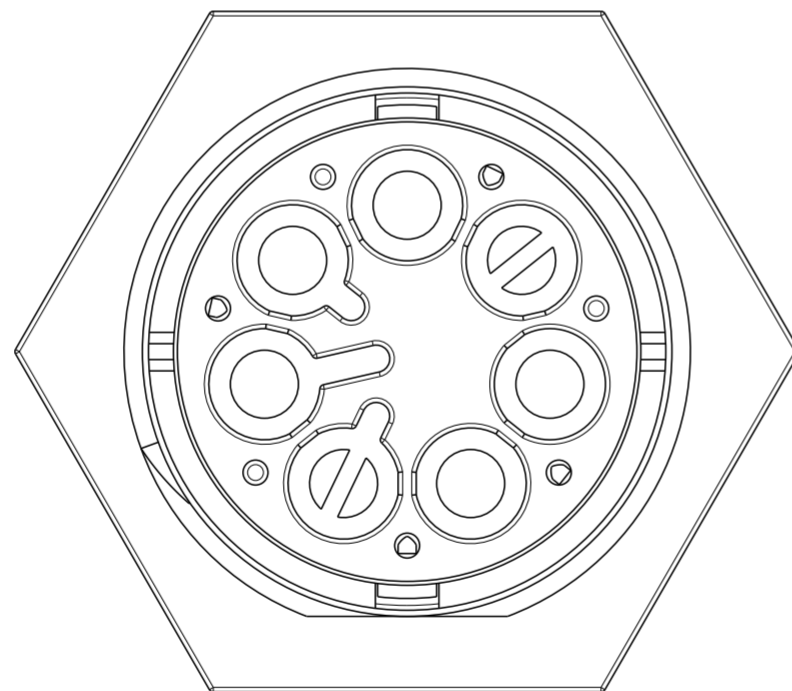
PNs 0-293688-3 AND
1-293688-3

POLARIZATION TYPE "D"



PNs 0-293688-4 AND
1-293688-4

POLARIZATION TYPE "E"



PNs 0-293688-5 AND
1-293688-5

TABLE 1

NOTE	POL. KEYING	COLOUR	DESCRIPTION	REV.	P/N
	E	BLACK	PIN HSG 5 POLES PANEL MOUNT NECTOR* M-LINE	A	1-293688-5
	D	BLACK	PIN HSG 5 POLES PANEL MOUNT NECTOR* M-LINE	A	1-293688-4
	C	BLACK	PIN HSG 5 POLES PANEL MOUNT NECTOR* M-LINE	A	1-293688-3
	B	BLACK	PIN HSG 5 POLES PANEL MOUNT NECTOR* M-LINE	A	1-293688-2
	A	BLACK	PIN HSG 5 POLES PANEL MOUNT NECTOR* M-LINE	A	1-293688-1
	E	NATURAL	PIN HSG 5 POLES PANEL MOUNT NECTOR* M-LINE	A	0-293688-5
	D	NATURAL	PIN HSG 5 POLES PANEL MOUNT NECTOR* M-LINE	A	0-293688-4
	C	NATURAL	PIN HSG 5 POLES PANEL MOUNT NECTOR* M-LINE	A	0-293688-3
	B	NATURAL	PIN HSG 5 POLES PANEL MOUNT NECTOR* M-LINE	A	0-293688-2
	A	NATURAL	PIN HSG 5 POLES PANEL MOUNT NECTOR* M-LINE	A	0-293688-1

THIS DRAWING IS A CONTROLLED DOCUMENT.

DWN	M. ZUCCA	01APR2011
CHK	M. ZUCCA	01APR2011
APVD	G. TURCO	01APR2011

STE TE Connectivity

NAME: PIN HOUSING PANEL MOUNT
NECTOR* M-LINE 5 POLES
UNSEALED VERSION

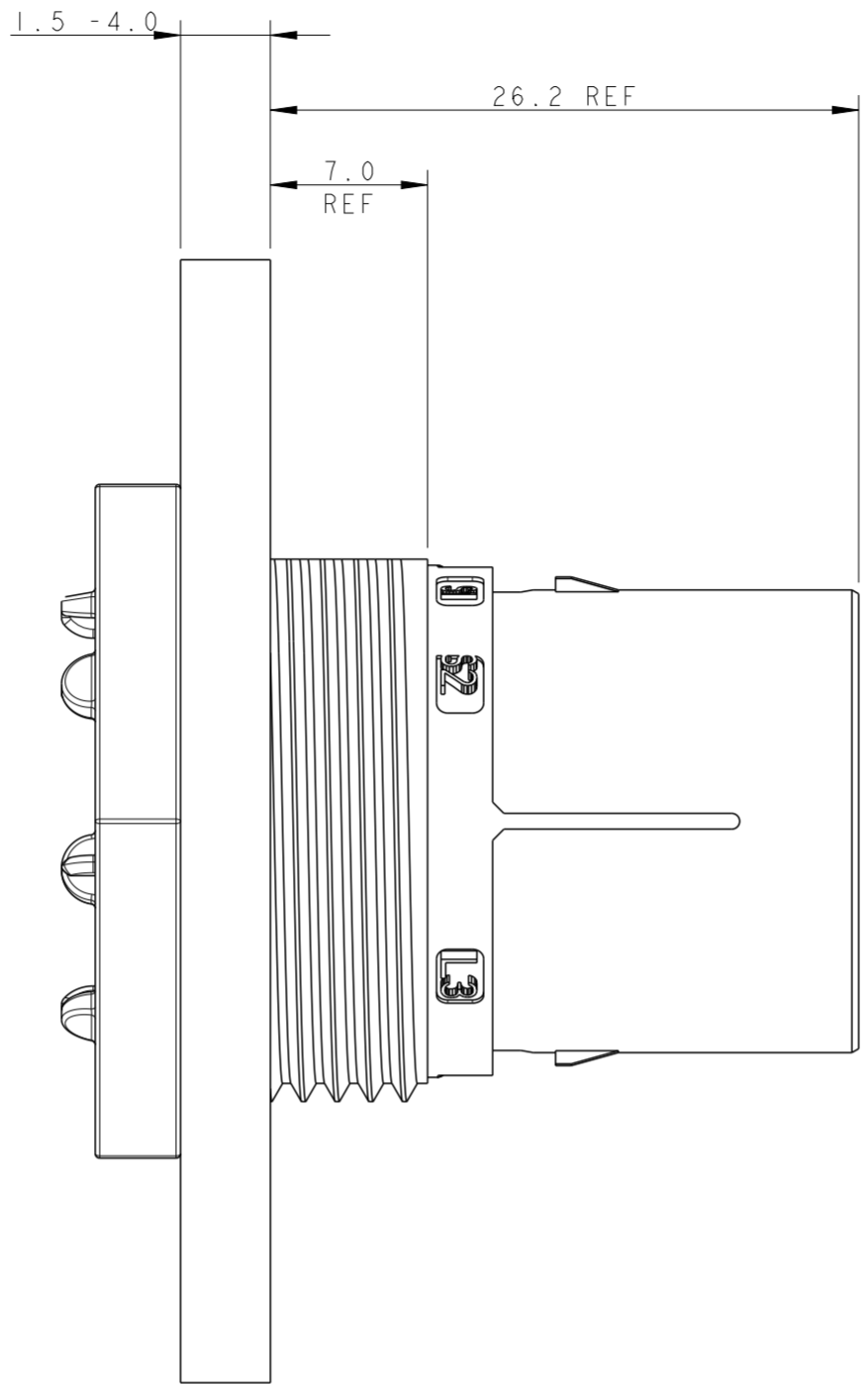
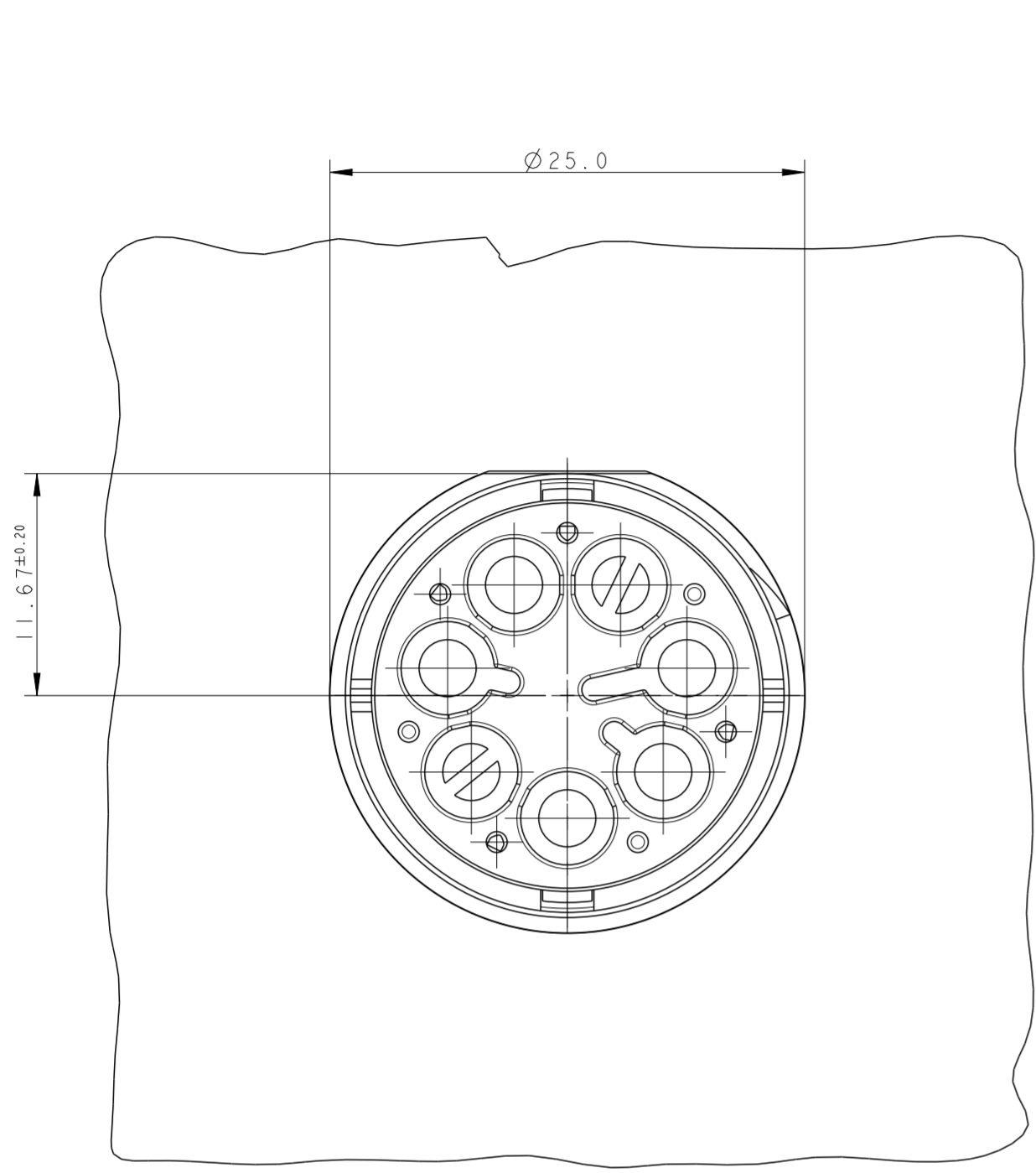
SIZE	CAGE CODE	DRAWING NO	RESTRICTED TO
A2	0779	C-293688	-

Customer Drawing SCALE 3:1 SHEET 2 OF 3 REV A

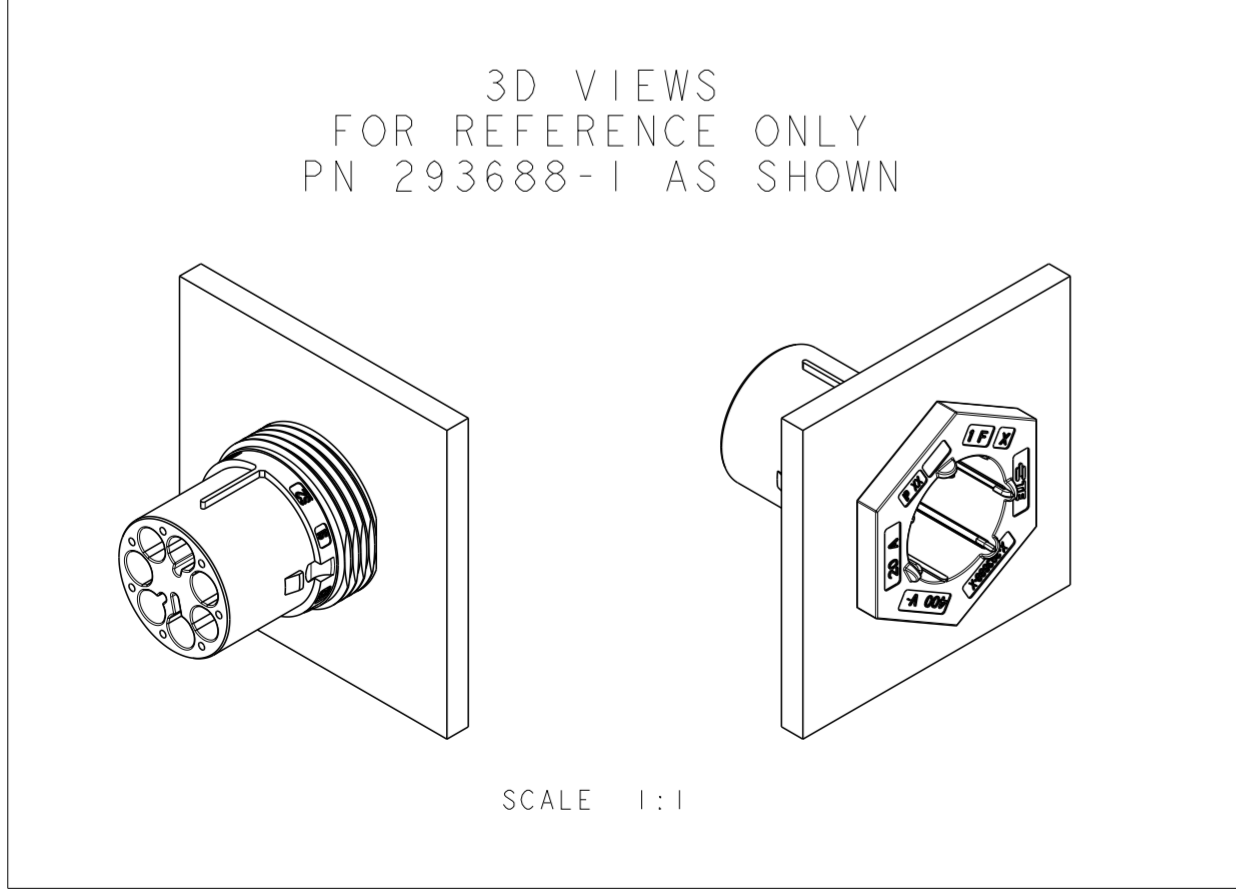
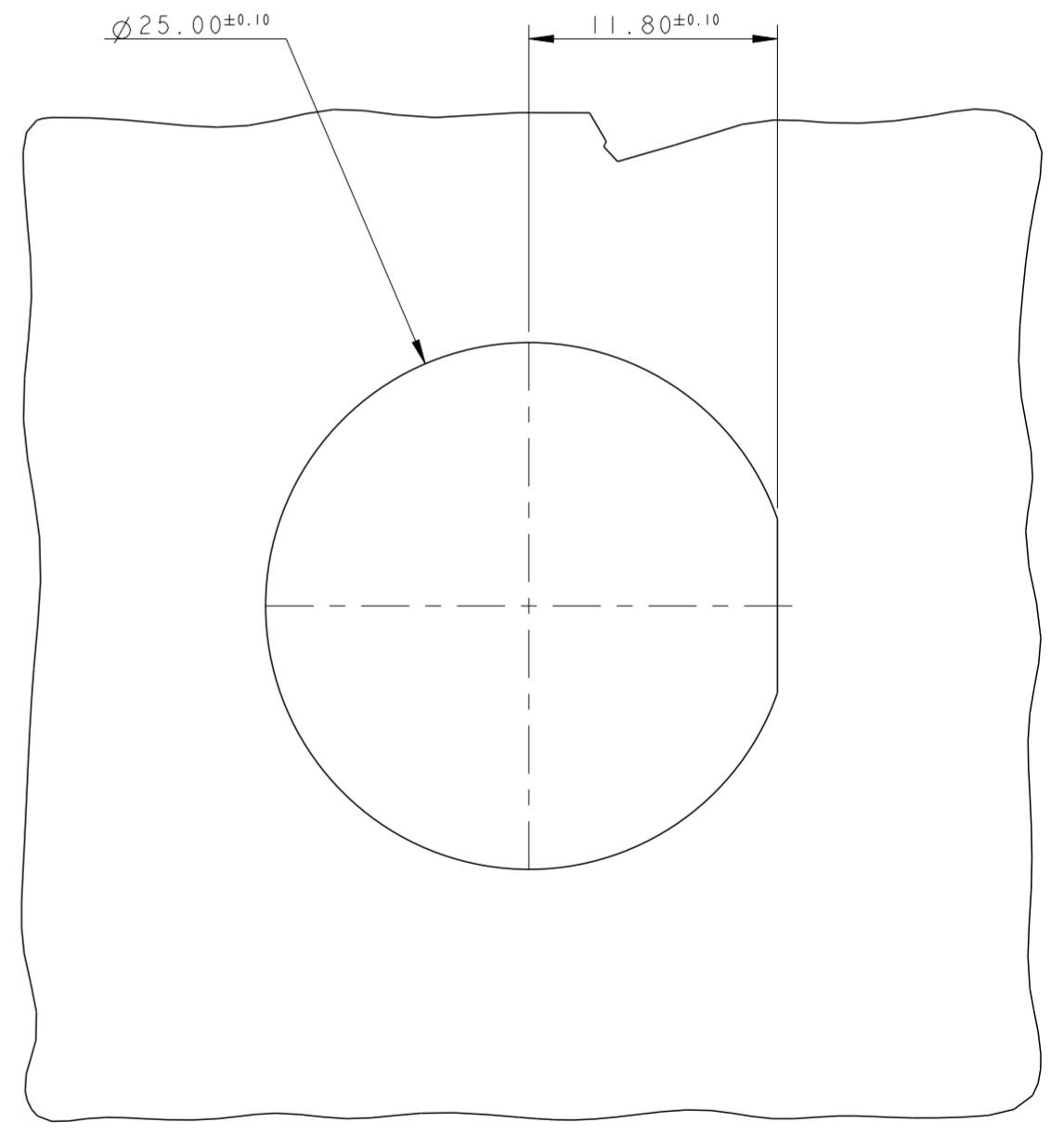
DIMENSIONS:	TOLERANCES UNLESS OTHERWISE SPECIFIED:
mm	0 PLC ± 1 PLC ±0.3 2 PLC ±0.20 3 PLC ± 4 PLC ± ANGLES ±3° FINISH
MATERIAL	-

THIS DRAWING IS UNPUBLISHED. RELEASED FOR PUBLICATION 2011
 © COPYRIGHT 2011 ALL RIGHTS RESERVED.

LOC	DIST	REVISIONS			
P	LTR	DESCRIPTION	DATE	DWN	APVD
-	-	SEE SHEET 1	-	-	-



PANEL/WALL SUGGESTED LAYOUT



THIS DRAWING IS A CONTROLLED DOCUMENT.		DWN M. ZUCCA	01APR2011	 TE Connectivity				
DIMENSIONS: mm		CHK M. ZUCCA	01APR2011					
TOLERANCES UNLESS OTHERWISE SPECIFIED:		APVD G. TURCO	01APR2011					
0 PLC ± 1 PLC ±0.3 2 PLC ±0.20 3 PLC ± 4 PLC ± ANGLES ±3° FINISH		NAME	PIN HOUSING PANEL MOUNT NECTOR* M-LINE 5 POLES UNSEALED VERSION					
MATERIAL		PRODUCT SPEC	-	SIZE	CAGE CODE	DRAWING NO	RESTRICTED TO	
-		APPLICATION SPEC	-	A200779	C-293688		-	
-		WEIGHT	-	Customer Drawing		SCALE 3:1	SHEET 3 OF 3	REV A