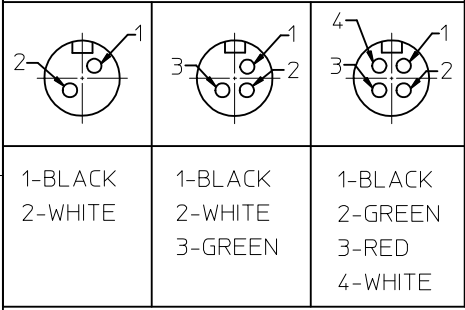
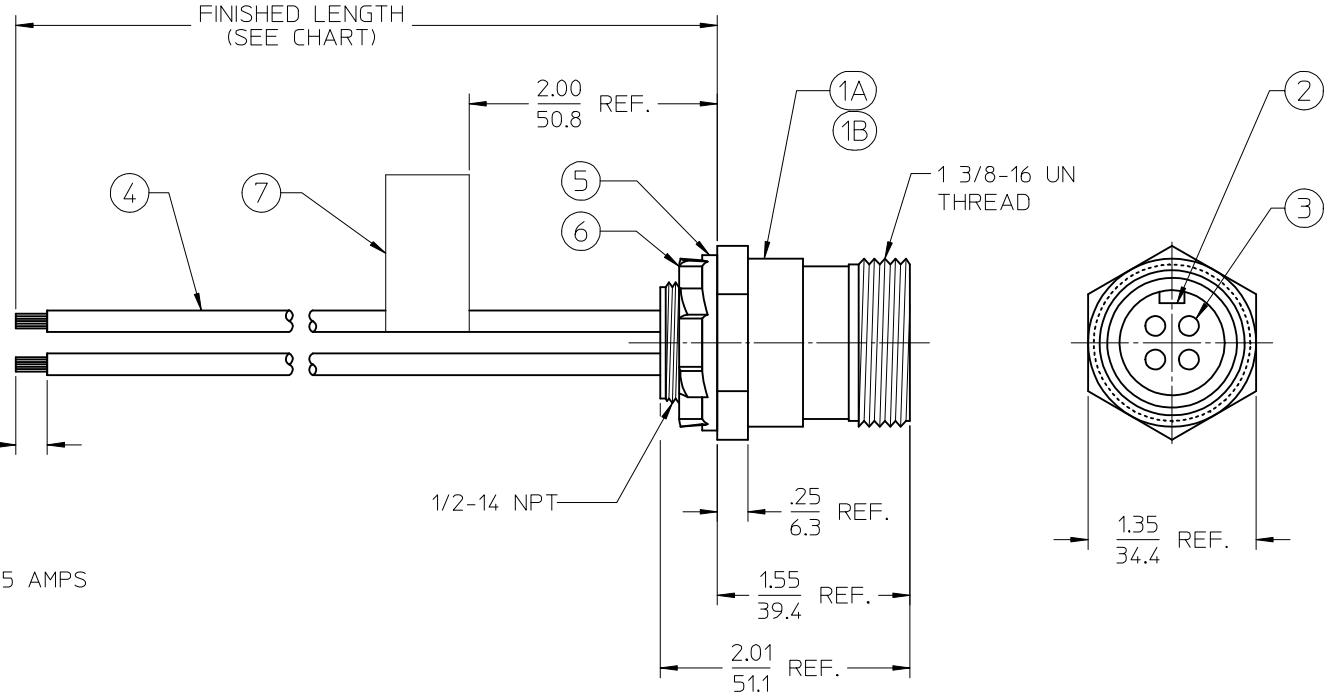


MALE FACE VIEW



- 1-BLACK
- 2-WHITE
- 1-BLACK
- 2-WHITE
- 3-GREEN
- 1-BLACK
- 2-GREEN
- 3-RED
- 4-WHITE

POLES	MATERIAL NO.	ENGINEERING NO.	FINISHED LENGTH
2	1300030008	32017	12.00 +.75-0 (305mm +19mm-0)
3	1300030023	32317	12.00 +.75-0 (305mm +19mm-0)
4	1300030048	32632	12.00 +.75-0 (305mm +19mm-0)



- NOTES:
- MATERIAL: SEE TABLE
  - FINISHES: SEE TABLE
  - ELECTRICAL SPECIFICATIONS  
VOLTAGE RATING: 600V AC/DC  
CURRENT RATING: 2P-18 AMPS, 3P-18 AMPS, 4P-15 AMPS
  - XX REFERS TO POLE COUNT
  - PROTECTION: IP67
  - ASSEMBLY IS RoHS COMPLIANT BY EXEMPTION

7	1	FLAG LABEL	VINYL	BLACK/YELLOW
6	1	LOCKNUT	STEEL	ZINC PLATED
5	1	GASKET	NEOPRENE	BLACK
4	XX	WIRE, 14 AWG, UL 1015	PVC INSULATION	SEE FACE VIEW
3	XX	CONTACT PIN	Cu ALLOY	UN-PLATED
2	1	INSERT	RUBBER	YELLOW
1B	1	RECEPTACLE SHELL	OPT: ALUMINUM	CLEAR ANODIZE
1A	1	RECEPTACLE SHELL	NYLON	BLACK
ITEM	QTY.	DESCRIPTION	MATERIAL	FINISH

NEW SALES DOC  
 EC NO: IPG2013-0795  
 DRAWN BY: DRWHRSTONE 2012/11/28  
 CHKDK: JOZWIK 2013/01/16  
 APPR: JFMURPHY 2013/03/01

QUALITY SYMBOLS  
 ▽=0  
 ▽=0

GENERAL TOLERANCES (UNLESS SPECIFIED)

	mm	INCH
4 PLACES	± .005	± .0004
3 PLACES	± .003	± .0002
2 PLACES	± .002	± .0001
1 PLACE	± 0.3	± .012
0 PLACE	± .001	± .0001

ANGULAR ± 2°  
 DRAFT WHERE APPLICABLE  
 MUST REMAIN WITHIN DIMENSIONS

DIMENSION STYLE IN/MM

DRAWN BY	DATE
RSTONE	2012/11/28
CHECKED BY	DATE
K. JOZWIK	2013/01/16
APPROVED BY	DATE
JFMURPHY	2013/03/01

MATERIAL NO. SEE CHART  
 SIZE B

SCALE 1:1 DESIGN UNITS INCH THIRD ANGLE PROJECTION

TITLE QUICK CHANGE RECEPTACLE MALE 2-3 POLE, 14 AWG

**molex**

DOCUMENT NO. SD-130003-003 SHEET NO. 1 OF 1

THIS DRAWING CONTAINS INFORMATION THAT IS PROPRIETARY TO MOLEX INCORPORATED AND SHOULD NOT BE USED WITHOUT WRITTEN PERMISSION