

1PD1

M

DRAWING
NUMBER

ISSUE

9

REVISIONS

A	C021632	O M W	25 JUL 66
B	C026023-A	D L F	25 JUL 69
C	C045869B	G J W	7 JUL 79
D	C082531B	J A K	19 FEB 97

REPLACES

RELEASE NO.

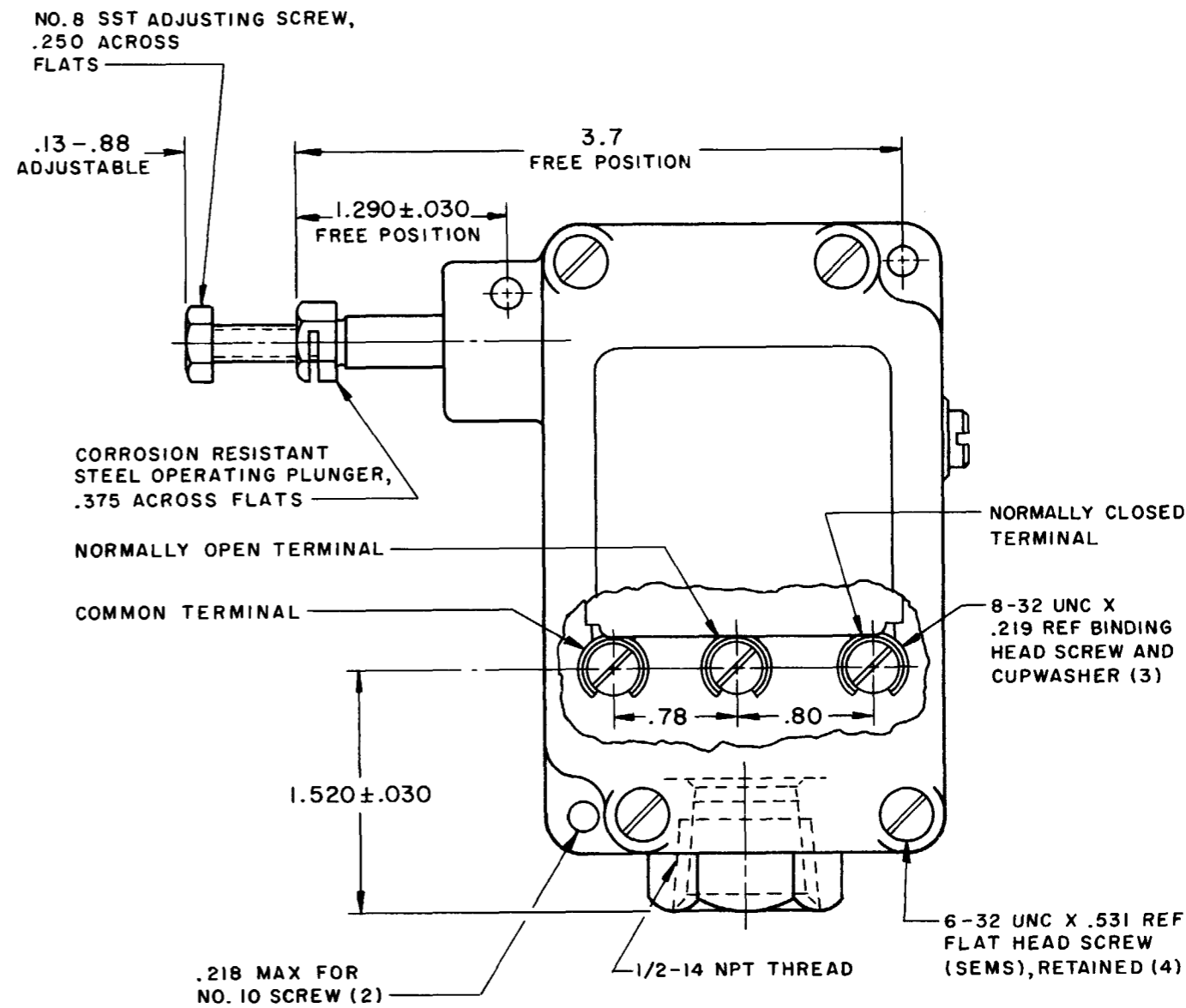
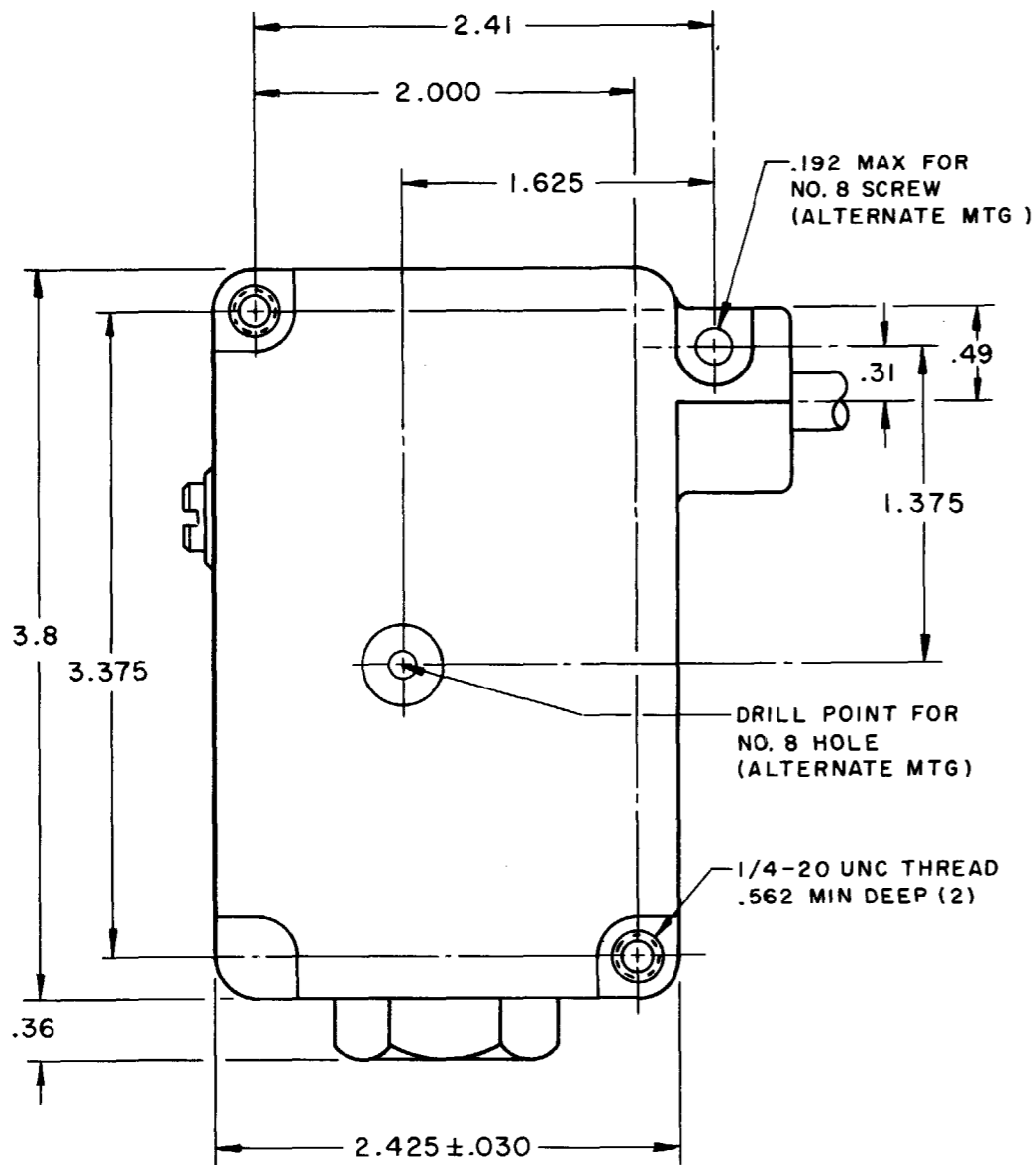
CHECK

CHECK

26 JULY 66

FORMTEK
DRAWN

O M W 25 JUL 66



THIS DRAWING COVERS A PROPRIETARY ITEM AND IS THE PROPERTY OF MICRO SWITCH, A DIVISION OF MINNEAPOLIS-HONEYWELL REGULATOR CO. THIS DRAWING IS NOT TO BE COPIED OR USED WITHOUT THE APPROVAL OF MICRO SWITCH.

CHARACTERISTICS	ELECTRICAL DATA	SCALE FULL
OPERATING FORCE ----- 3 1/2 LB MAX	CONTACT ARRANGEMENT S P D T	DO NOT SCALE PRINT
PRETRAVEL ----- .110 MAX	15 A-125, 250 OR 480 VAC	UNLESS OTHERWISE NOTED
PULSE POSITION --- ADJUSTABLE FROM .030-.450 BEYOND OPERATING POSITION	1/2 A-125 VDC; 1/4 A-250 VDC	DIMENSIONS ARE IN INCHES
FORCE AT PULSE POSITION ----- 6 LB MAX	1/8 HP-125 VAC; 1/4 HP-250 VAC	TOLERANCES ARE:
SWITCH-BASIC REPLACEMENT - BZ-2RD776-P4		ONE PLACE (.0) ±.030
		TWO PLACE (.00) ±.015
		THREE PLACE (.000) ±.005
		ANGLES ±.005
		WEIGHT

NOTES

- 1 - ALUMINUM HOUSING AND COVER FINISHED IN GRAY PAINT
- 2 - IT IS ESSENTIAL TO PREVENT ENTRANCE OF HARMFUL AGENTS THRU THE CONDUIT OPENING TO OBTAIN THE FULL BENEFIT OF THE SEALED CONSTRUCTION PROVIDED IN THIS UNIT