

OD8015 Series

DC



80x80x15mm
(3.15"x 3.15"x 0.59")



OPERATING TEMPERATURE

Ball Bearing
-20C ~ +70C
Sleeve Bearing
-10C ~ +50C

FRAME & IMPELLER

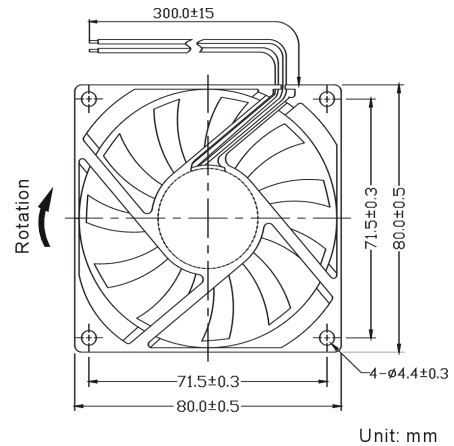
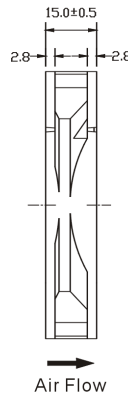
PBT, UL94V-0 Thermoplastic

POWER CONNECTION

Two lead wires 300mm (12")

AVAILABLE OPTIONS

Tachometer
Locked rotor Alarm



FINGER GUARD: G80-18
PLASTIC GUARD: G80P
WIRE MESH GUARD: WMG80M
FILTER KIT: GRM80-30,
GRM80-45

MODEL NUMBER	SPEED (RPM)	AIRFLOW (CFM)	NOISE (DB)	VOLTS DC	VOLTAGE RANGE	AMPS	MAX. STATIC PRESSURE (H ₂ O)
OD8015-05H*	3200	30	33	05	4~7	.43	.11
OD8015-05M*	2440	21	26	05	4~7	.24	.08
OD8015-12H*	3200	31	33	12	8~16	.19	.11
OD8015-12M*	2440	21	26	12	8~16	.15	.08

* Indicate "B" to specify Ball bearing or "S" to specify Sleeve bearing

MOTOR

Brushless DC, Impedance and polarity protected, auto restart

INSULATION RESISTANCE

Min. 10M at 500VDC

DIELECTRIC STRENGTH

1 minute at 500VAC / 1 second, max leakage 500 microamp

LIFE EXPECTANCY (L10)

Ball Bearing 60,000 hrs
Sleeve Bearing 30,000 hrs

