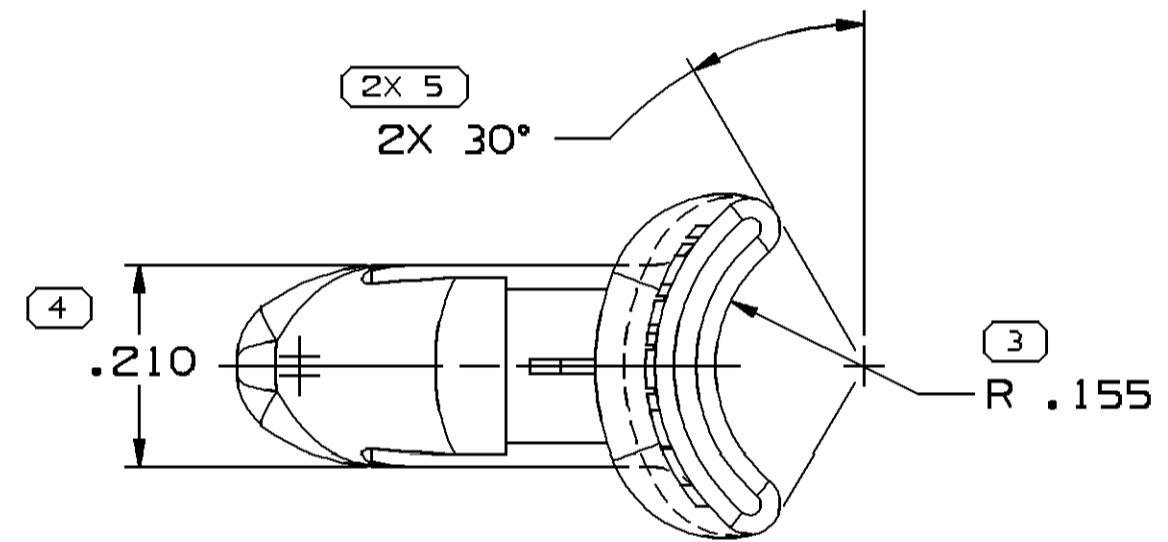
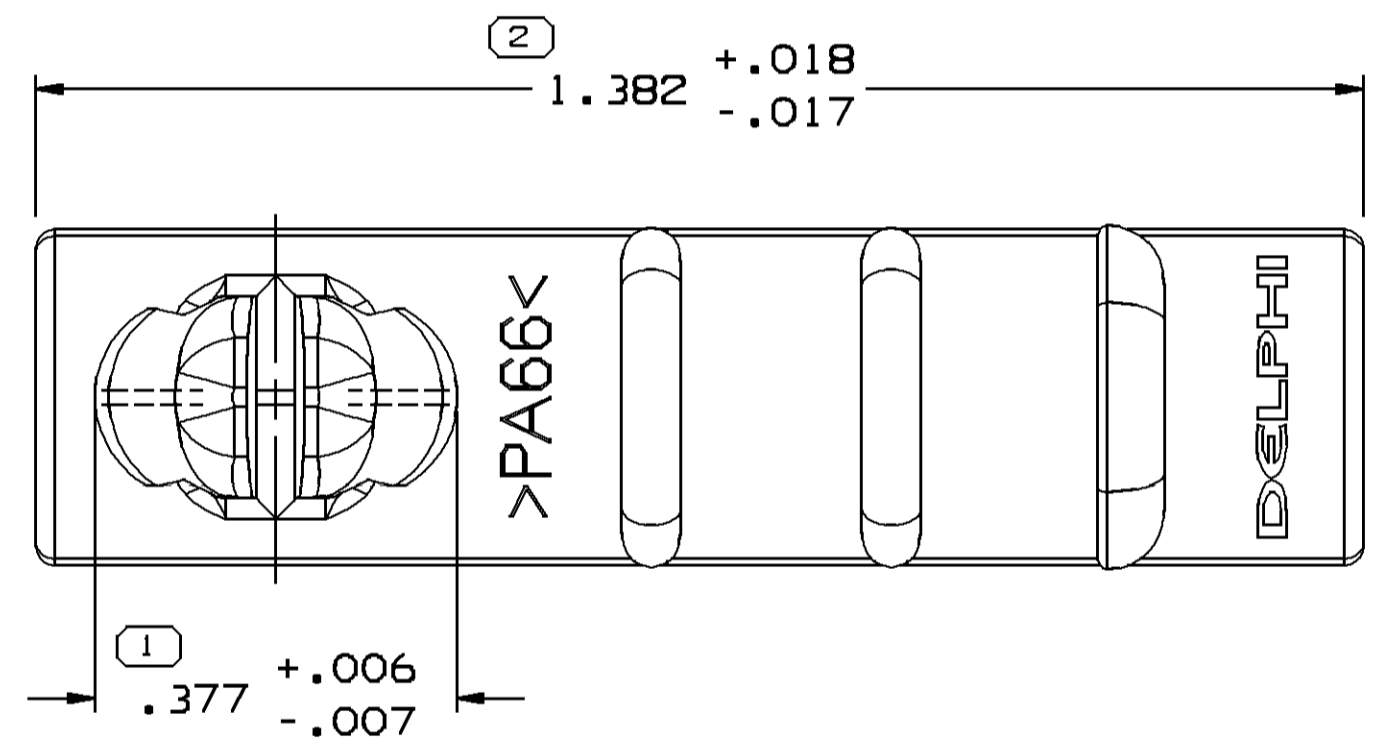
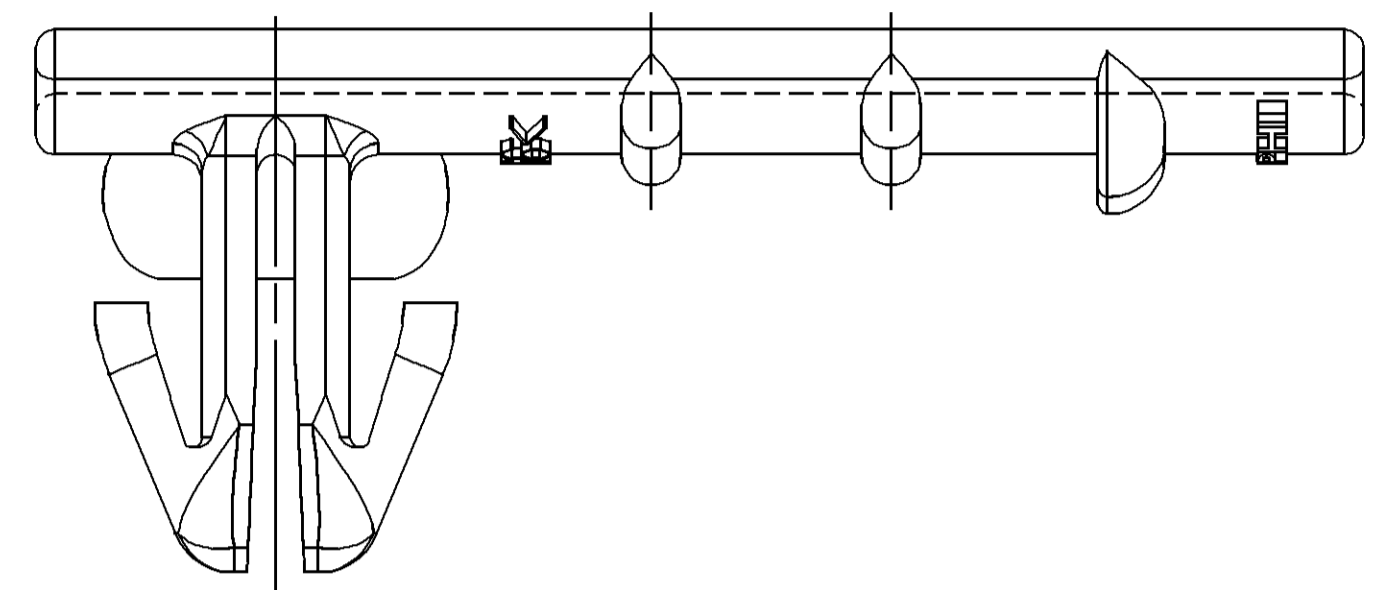


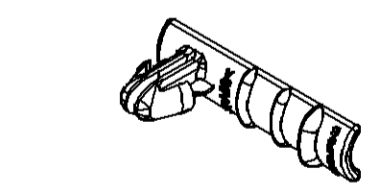
| SYMBOL DEFINITION | | |
|---|----------------------------------|---|
| A DIMENSION WITHOUT AN INSPECTION REPORT SYMBOL ○ DOES NOT REQUIRE INSPECTION. IT MAY BE CONTROLLED ON THE INDIVIDUAL COMPONENT DRAWING. | TOTAL NO OF INSPECTIONS REQUIRED | 6 |
| | LAST NO. USED | 5 |

MISSING SYMBOLS
NO MISSING SYMBOL NUMBER

| DWG STATUS | | | | | ZONE | REVISION HISTORY | | | | AUTH | DR | APVD 1 | APVD 2 |
|------------|-----|-----|-----|-----|------|--|--|--|--|--------|-----|--------|--------|
| DATE | STG | REV | N/P | CHG | | | | | | | | | |
| 28FE02 | R | 14 | - | - | | REDRAWN TO PD, MAT'L SPEC WAS R0061931 (NY-NAT) AND ADDED LOGO & MATERIAL RECYCLING CODE NOTES | | | | 221964 | E0V | E0V | FR |
| 24MR06 | R | 15 | - | - | | MAT'L SPEC WAS M3592002 | | | | 278547 | GPS | FRG | JGS |



- NOTES
- UNLESS OTHERWISE SPECIFIED AND/OR INDICATED:
DIMENSIONS ARE TO FACE OF VIEW SHOWN AND AUTOMATICALLY ROUNDED BY COMPUTER FOR INSPECTION (SEE MATH MODEL FOR PRECISE DIMENSIONS). FOR ALL OTHER DIMENSIONS NOT SHOWN BUT REQUIRED FOR TOOL BUILD, SEE MATH MODEL FOR PRECISE TOOL PATH DATA.
 - MATERIAL RECYCLING CODE PER ISO 11469. (.1)X(.01) CHARACTERS AS SHOWN TO BE LOCATED ON ANY EXTERIOR SURFACE. OPTIONAL CONSTRUCTION TO BE NO MATERIAL RECYCLING CODE.
 - CLIP TO SNAP INTO $\phi .25 \pm .02$ HOLE IN $.062 \pm .028 / - .027$ THICK STOCK.
 - ENVIRONMENTAL PROTECTION ACCORDING TO OPEL SPECIFICATION QU 000 001 - CADMIUM.
 - (.1)X(.01) DELPHI CORPORATE BRAND TO BE LOCATED ON ANY EXTERIOR SURFACE, PREFERABLY VISIBLE AT FINAL ASSEMBLY. OPTIONAL CONSTRUCTION TO BE "PED" OR NO LOGO.



| | |
|--|---------|
| 2 PROCESS SENSITIVE DIMENSION | |
| DIMENSIONS ENCLOSED IN () INDICATE REFERENCE DIMENSIONS AND NO TOLERANCE LIMITS ARE ESTABLISHED | |
| DIMENSIONAL RANGE (IN) | CHART H |
| FROM 0 | >.750 |
| TO .750 | 1.250 |
| | 2.750 |
| | 4.000 |
| TOLERANCE UNLESS OTHERWISE SPECIFIED | |
| | ±.005 |
| | ±.010 |
| | ±.012 |
| | ±.016 |
| | ±.020 |
| ANGULAR TOLERANCE ±2° | |

| | |
|---|-------------------------------|
| DWG TYPE PART DRAWING | |
| STYLE | |
| VOLUME (CU³) 0.789 | DISTR CODE D |
| UNLESS OTHERWISE SPECIFIED THIS DOCUMENT IS IN ACCORDANCE WITH ASME Y14.5M-1994 AS AMENDED BY THE GM GLOBAL DIMENSIONING AND TOLERANCING ADDENDUM - 1997. ALL GEOMETRIC TOLERANCES AND RELATED DATUMS APPLY RFS. RULE #11 PERFECT FORM AT MMC DOES NOT APPLY WHEN RELATIONSHIP BETWEEN FEATURES IS ESTABLISHED BY ORIENTATION OR LOCATION TOLERANCES. SEPARATE POSITION CALLOUTS MAY BE GAGED SEPARATELY, REGARDLESS OF DATUM REFERENCE. ALL DIMENSIONS ARE IN INCHES | |
| REFERENCE | |
| THIRD ANGLE PROJECTION | DO NOT SCALE USE MATH DATA |
| UNIGRAPHICS | |

| | | | |
|---|--------------|--------------------|--------------------|
| DELPHI | | | |
| DELPHI PACKARD ELECTRIC SYSTEMS WARREN, OH | | | |
| DR | | DATE | |
| APVD1 | J.R. LUBERT | 19AP63 | |
| APVD2 | P. GHIRARDI | 19AP63 | |
| APVD3 | P. GHIRARDI | 19AP63 | |
| APVD4 | | | |
| APVD5 | | | |
| SUBSTANCES OF CONCERN AND RECYCLED CONTENT PER DELPHI 10949001 | | | |
| MATERIAL M3592024 PA66 HS IM CRM | | | |
| DRAWING NAME MOUN CLIP TAPE ON ROSEBUD | | | |
| DRAWING NUMBER 02965782 | | | |
| SIZE A2 | SCALE 5:1 | FRAME NO 1 OF 1 | SHEET NO 1 OF 1 |
| STG R | REV 15 | N/P - | |