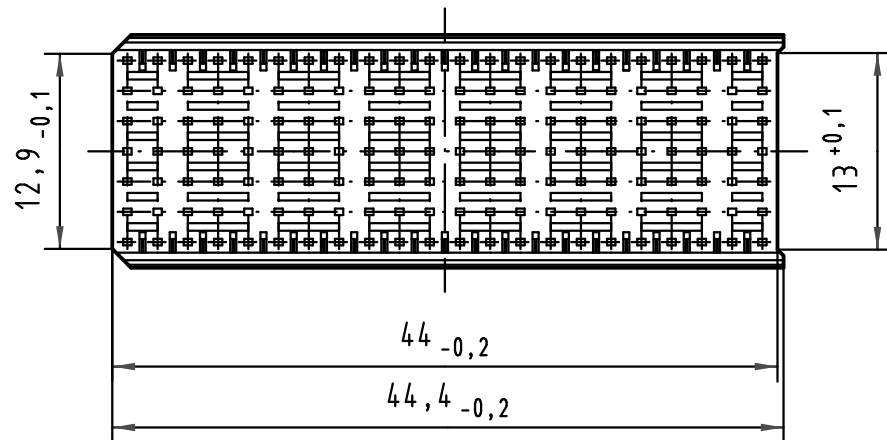
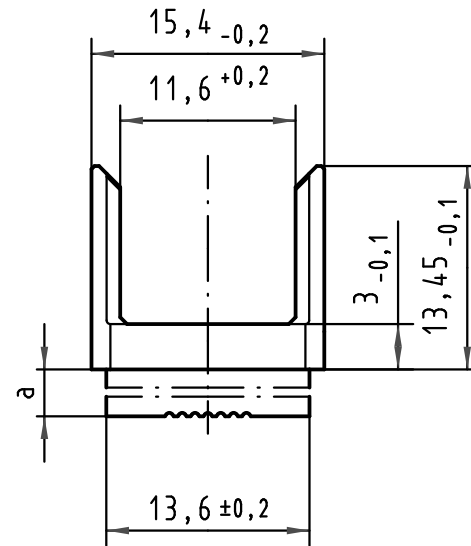
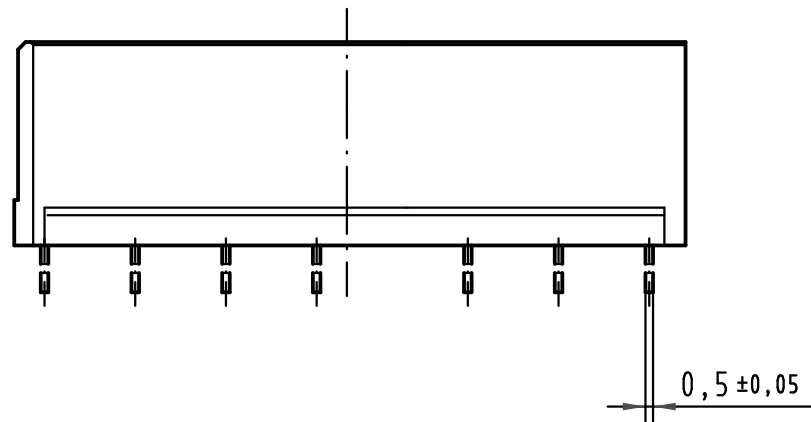
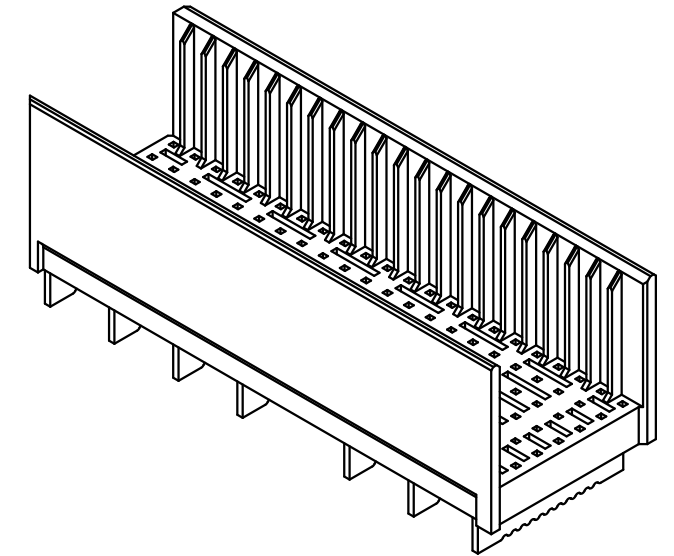
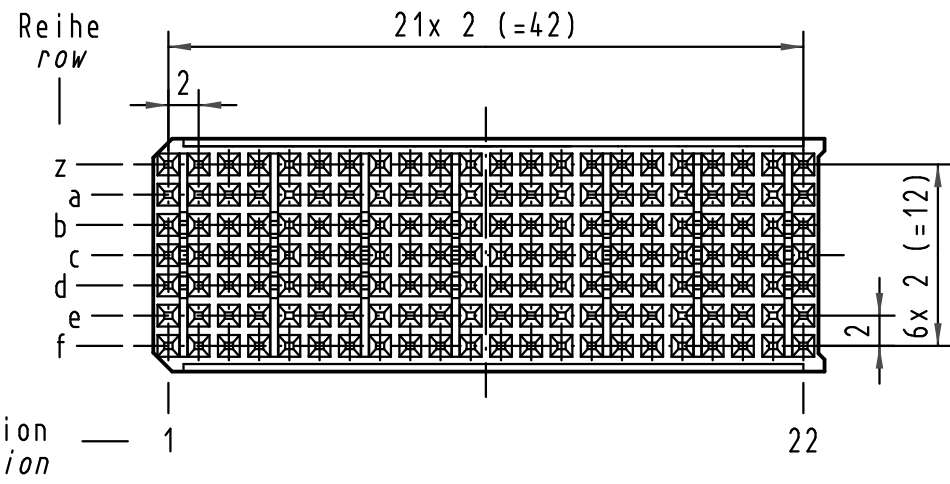


Alle Rechte vorbehalten/ All rights reserved



| | | |
|-------------------------|-------------------------------------|-----------|
| 17 70 000 4004 | 4,0±0,4 | 0,7±0,05 |
| 17 70 000 4003 | 3,2±0,4 | 1,5±0,05 |
| 17 70 000 4002 | 2,4±0,4 | 2,3±0,05 |
| 17 70 000 4001 | 1,6±0,4 | 3,1±0,05 |
| Bestell Nr. part-no. | LP-Dicke board thickness [mm] | a [mm] |

| | | | | | | |
|---|-------------------|-------|-----------------------------------|--|------|---|
| All Dimensions in mm Original Size DIN A 3 | Techn. Character. | | | Nicht tolerierte Maßel/Free size tolerances IEC 61076-4-101 | | |
| | | Dat. | Name | Maßstab/Scale | | har-bus HM Übergaberahmen Typ PCI (B22) har-bus HM Shroud Type PCI (B22) |
| | | | 2:1 | | | |
| 34650 | 05.02.08 | Hage. | Detail. | 03.11.99 | Wei. | |
| 27538 | 18.02.00 | HL. | Insp. | 03.11.99 | Pa. | |
| 26972 | 22.11.99 | Wei. | Stand. | | | |
| 25705 | | | HARTING Electronics GmbH & Co. KG | | | TB 17 70 000 400x |
| Mod. | Dat. | Name | D-32339 ESPELKAMP | | | |
| | | | | | | Blatt/ page |
| | | | | | | Sub. |