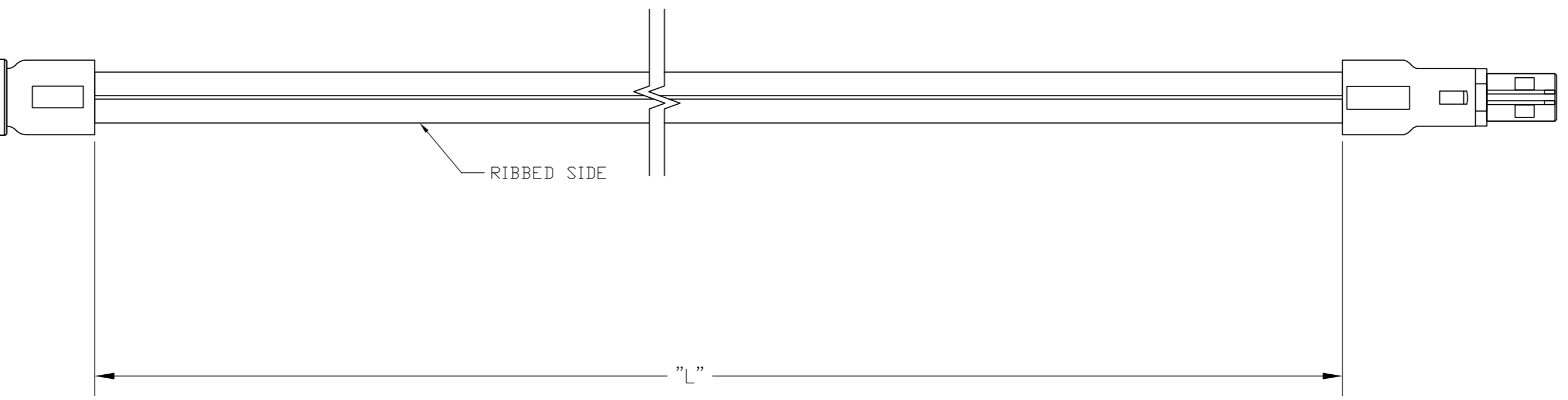
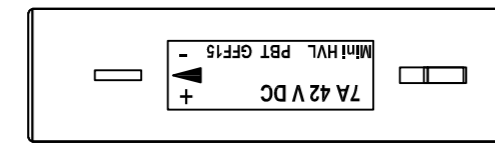
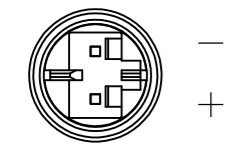


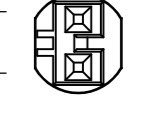
THIS DRAWING IS UNPUBLISHED. RELEASED FOR PUBLICATION
 © COPYRIGHT - By - ALL RIGHTS RESERVED.

LOC	DIST	REVISIONS					
GP	00	P	LTR	DESCRIPTION	DATE	DWN	APVD
		A		INITIAL RELEASE	01/AUG/11	ECC	PB

LV-2



LV-2

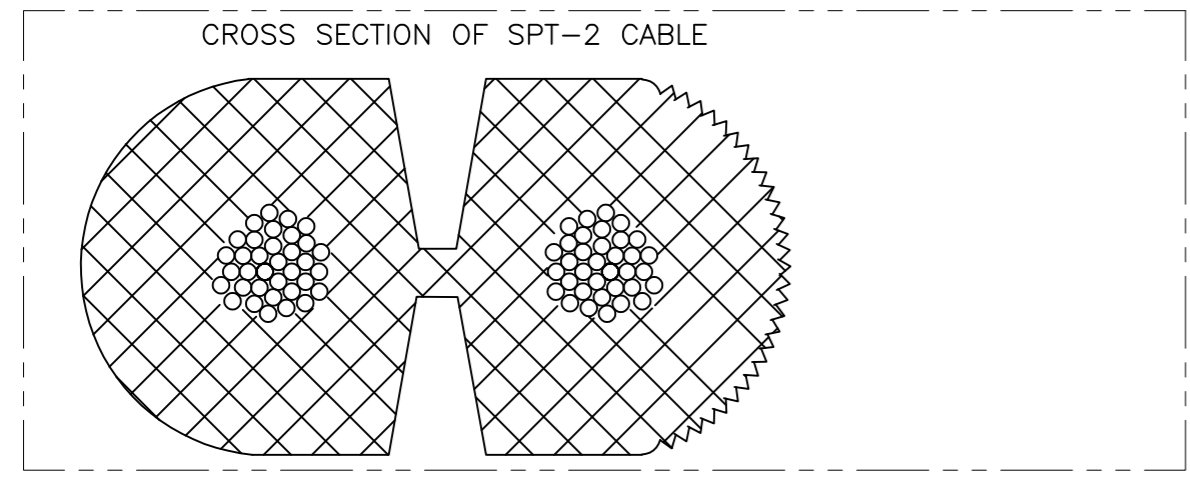


1. PACKAGING ACC. TO TE SPEC.107-18032
BUNDLE EVERY 25 ASSEMBLIES WITH A RUBBER BAND
2. ELECTRICAL TEST CONTAINING "SHORT CIRCUIT TEST, CONTINUITY AND ACCURATE CAVITY ASSIGNMENT TEST" ACC. TO TE-SPEC.108-18857, SUBSECTION 3.1.1

3 WIRING SCHEDULE AS SHOWN

WIRING SCHEDULE			
OUTLET		SIDE	PLUG
1	+	RIBBED	1
2	-	SMOOTH	2

16.0 FT	±3.84	2181192-8
14.0 FT	±3.36	2181192-7
12.0 FT	±2.88	2181192-6
10.0 FT	±2.4	2181192-5
8.0 FT	±1.92	2181192-4
6.0 FT	±1.44	2181192-3
4.0 FT	±.96	2181192-2
2.0 FT	±.48	2181192-1
"L"	TOLERANCES [INCHES]	TE P/N



THIS DRAWING IS A CONTROLLED DOCUMENT.		DWN	16/JUN/11	E.C. CLAYBAUGH	
DIMENSIONS: INCHES		CHK	13/JUL/11	P. BECKER	
TOLERANCES UNLESS OTHERWISE SPECIFIED:		APVD	01/AUG/11	P. BECKER	
0 PLC	± -	PRODUCT SPEC		NAME	
1 PLC	± -	APPLICATION SPEC		CABLE ASSEMBLY, NECTOR, LV-2, OUTLET TO PLUG	
2 PLC	± -	WEIGHT		SIZE	CAGE CODE
3 PLC	± -	MATERIAL		A2	00779
4 PLC	± -	FINISH		DRAWING NO	
ANGLES	± -	CUSTOMER DRAWING		C-2181192	
RESTRICTED TO		SCALE		SHEET	
-		N.T.S.		1 of 1	

2181192