

## 1. General description

---

PN512 is the most broadly adopted NFC frontend - powering more than 10 billion NFC transactions per year.

It is a highly integrated NFC frontend for contactless communication at 13.56 MHz. This NFC frontend utilizes an outstanding modulation and demodulation concept completely integrated for different kinds of contactless communication methods and protocols at 13.56 MHz.

The PN512 NFC frontend supports 4 different operating modes

- Reader/Writer mode supporting ISO/IEC 14443A/MIFARE and FeliCa scheme
- Reader/Writer mode supporting ISO/IEC 14443B
- Card Operation mode supporting ISO/IEC 14443A/MIFARE and FeliCa scheme
- NFCIP-1 mode

Enabled in Reader/Writer mode for ISO/IEC 14443A/MIFARE, the PN512's internal transmitter part is able to drive a reader/writer antenna designed to communicate with ISO/IEC 14443A/ MIFARE cards and transponders without additional active circuitry. The receiver part provides a robust and efficient implementation of a demodulation and decoding circuitry for signals from ISO/IEC 14443A/MIFARE compatible cards and transponders. The digital part handles the complete ISO/IEC 14443A framing and error detection (Parity and CRC).

Enabled in Reader/Writer mode for FeliCa, the PN512 NFC frontend supports the FeliCa communication scheme. The receiver part provides a robust and efficient implementation of the demodulation and decoding circuitry for FeliCa coded signals. The digital part handles the FeliCa framing and error detection like CRC. The PN512 supports contactless communication using FeliCa Higher transfer speeds up to 424 kbit/s in both directions.

The PN512 supports all layers of the ISO/IEC 14443B reader/writer communication scheme, given correct implementation of additional components, like oscillator, power supply, coil etc. and provided that standardized protocols, e.g. like ISO/IEC 14443-4 and/or ISO/IEC 14443B anticollision are correctly implemented.

In Card Operation mode, the PN512 NFC frontend is able to answer to a reader/writer command either according to the FeliCa or ISO/IEC 14443A/MIFARE card interface scheme. The PN512 generates the digital load modulated signals and in addition with an external circuit the answer can be sent back to the reader/writer. A complete card functionality is only possible in combination with a secure IC using the S<sup>2</sup>C interface.



Additionally, the PN512 NFC frontend offers the possibility to communicate directly to an NFCIP-1 device in the NFCIP-1 mode. The NFCIP-1 mode offers different communication mode and transfer speeds up to 424 kbit/s according to the Ecma 340 and ISO/IEC 18092 NFCIP-1 Standard. The digital part handles the complete NFCIP-1 framing and error detection.

Various host controller interfaces are implemented:

- 8-bit parallel interface<sup>1</sup>
- SPI interface
- serial UART (similar to RS232 with voltage levels according pad voltage supply)
- I<sup>2</sup>C interface.

## 1.1 Different available versions

The PN512 is available in three versions:

- PN5120A0HN1/C2 (HVQFN32), PN5120A0HN/C2 (HVQFN40) and PN5120A0ET/C2 (TFBGA64), hereafter named as version 2.0
- PN512AA0HN1/C2 (HVQFN32) and PN512AA0HN1/C2BI (HVQFN32 with Burn In), hereafter named as industrial version, fulfilling the automotive qualification stated in AEC-Q100 grade 3 from the Automotive Electronics Council, defining the critical stress test qualification for automotive integrated circuits (ICs).  
The customer recognizes that:
  - since the product was not originally designed for automotive use, it will not be possible to achieve the levels of quality and failure analysis that are normally associated with products explicitly designed for automotive use.
  - the product qualification conforms to AEC-Q100.
  - all product production locations are certified according to TS16949.
- PN5120A0HN1/C1(HVQFN32) and PN5120A0HN/C1 (HVQFN40), hereafter named as version 1.0

The data sheet describes the functionality for the industrial version and version 2.0. The differences of the version 1.0 to the version 2.0 are summarized in [Section 20](#). The industrial version has only differences within the outlined characteristics and limitations.

1. 8-bit parallel Interface only available in HVQFN40 package.

## 2. Features and benefits

- Includes NXP ISO/IEC14443-A, Innovatron ISO/IEC14443-B and NXP MIFARE Crypto 1 intellectual property [licensing rights](#)
- Fast and cost-efficient NFC design startup
- Highly integrated analog circuitry to demodulate and decode responses
- Buffered output drivers for connecting an antenna with the minimum number of external components
- Integrated RF Level detector
- Integrated data mode detector
- Supports ISO/IEC 14443 A/MIFARE
- Supports ISO/IEC 14443 B Read/Write modes
- Typical operating distance in Read/Write mode up to 50 mm depending on the antenna size and tuning
- Typical operating distance in NFCIP-1 mode up to 50 mm depending on the antenna size and tuning and power supply
- Typical operating distance in ISO/IEC 14443A/MIFARE card or FeliCa Card Operation mode of about 100 mm depending on the antenna size and tuning and the external field strength
- Supports MIFARE Classic encryption in Reader/Writer mode
- ISO/IEC 14443A higher transfer speed communication at 212 kbit/s and 424 kbit/s
- Contactless communication according to the FeliCa scheme at 212 kbit/s and 424 kbit/s
- Integrated RF interface for NFCIP-1 up to 424 kbit/s
- S<sup>2</sup>C interface
- Additional power supply to directly supply the smart card IC connected via S<sup>2</sup>C
- Supported host interfaces
  - ◆ SPI up to 10 Mbit/s
  - ◆ I<sup>2</sup>C-bus interface up to 400 kBd in Fast mode, up to 3400 kBd in High-speed mode
  - ◆ RS232 Serial UART up to 1228.8 kBd, with voltage levels dependant on pin voltage supply
  - ◆ 8-bit parallel interface with and without Address Latch Enable
- FIFO buffer handles 64 byte send and receive
- Flexible interrupt modes
- Hard reset with low power function
- Power-down mode per software
- Programmable timer
- Internal oscillator for connection to 27.12 MHz quartz crystal
- 2.5 V to 3.6 V power supply
- CRC coprocessor
- Programmable I/O pins
- Internal self-test

### 3. Quick reference data

**Table 1. Quick reference data**

| Symbol                                 | Parameter              | Conditions   |           | Min | Typ | Max | Unit |
|--|------------------------|--|-----------|-----|-----|-----|------|
| V <sub>DDA</sub>                       | analog supply voltage  | V <sub>DD(PVDD)</sub> ≤ V <sub>DDA</sub> = V <sub>DDD</sub> = V <sub>DD(TVDD)</sub> ;<br>V <sub>SSA</sub> = V <sub>SSD</sub> = V <sub>SS(PVSS)</sub> = V <sub>SS(TVSS)</sub> = 0 V | [1][2]    | 2.5 | -   | 3.6 | V    |
| V <sub>DDD</sub>                       | digital supply voltage |  |           |     |     |     |      |
| V <sub>DD(TVDD)</sub>                  | TVDD supply voltage    |  |           |     |     |     |      |
| V <sub>DD(PVDD)</sub>                  | PVDD supply voltage    |  | [3]       | 1.6 | -   | 3.6 | V    |
| V <sub>DD(SVDD)</sub>                  | SVDD supply voltage    | V <sub>SSA</sub> = V <sub>SSD</sub> = V <sub>SS(PVSS)</sub> = V <sub>SS(TVSS)</sub> = 0 V  |           | 1.6 | -   | 3.6 | V    |
| I <sub>pd</sub>                        | power-down current     | V <sub>DDA</sub> = V <sub>DDD</sub> = V <sub>DD(TVDD)</sub> = V <sub>DD(PVDD)</sub> = 3 V  |           |     |     |     |      |
|  |                        | hard power-down; pin NRSTPD set LOW  | [4]       | -   | -   | 5   | μA   |
|  |                        | soft power-down; RF level detector on  | [4]       | -   | -   | 10  | μA   |
| I <sub>DDD</sub>                       | digital supply current | pin DVDD; V <sub>DDD</sub> = 3 V   |           | -   | 6.5 | 9   | mA   |
| I <sub>DDA</sub>                       | analog supply current  | pin AVDD; V <sub>DDA</sub> = 3 V, CommandReg register's RcvOff bit = 0   |           | -   | 7   | 10  | mA   |
|  |                        | pin AVDD; receiver switched off; V <sub>DDA</sub> = 3 V, CommandReg register's RcvOff bit = 1  |           | -   | 3   | 5   | mA   |
| I <sub>DD(PVDD)</sub>                  | PVDD supply current    | pin PVDD   | [5]       | -   | -   | 40  | mA   |
| I <sub>DD(TVDD)</sub>                  | TVDD supply current    | pin TVDD; continuous wave  | [6][7][8] | -   | 60  | 100 | mA   |
| T <sub>amb</sub>                       | ambient temperature    | HVQFN32, HVQFN40, TFBGA64  |           | -30 |     | +85 | °C   |
| <b>Industrial version PN512AA0HN1:</b> |                        |  |           |     |     |     |      |
| I <sub>pd</sub>                        | power-down current     | V <sub>DDA</sub> = V <sub>DDD</sub> = V <sub>DD(TVDD)</sub> = V <sub>DD(PVDD)</sub> = 3 V  |           |     |     |     |      |
|  |                        | hard power-down; pin NRSTPD set LOW  | [4]       | -   | -   | 15  | μA   |
|  |                        | soft power-down; RF level detector on  | [4]       | -   | -   | 30  | μA   |
| T <sub>amb</sub>                       | ambient temperature    | HVQFN32  |           | -40 | -   | +90 | °C   |

- [1] Supply voltages below 3 V reduce the performance in, for example, the achievable operating distance.
- [2] V<sub>DDA</sub>, V<sub>DDD</sub> and V<sub>DD(TVDD)</sub> must always be the same voltage.
- [3] V<sub>DD(PVDD)</sub> must always be the same or lower voltage than V<sub>DDD</sub>.
- [4] I<sub>pd</sub> is the total current for all supplies.
- [5] I<sub>DD(PVDD)</sub> depends on the overall load at the digital pins.
- [6] I<sub>DD(TVDD)</sub> depends on V<sub>DD(TVDD)</sub> and the external circuit connected to pins TX1 and TX2.
- [7] During typical circuit operation, the overall current is below 100 mA.
- [8] Typical value using a complementary driver configuration and an antenna matched to 40 Ω between pins TX1 and TX2 at 13.56 MHz.

## 4. Ordering information

Table 2. Ordering information

| Type number      | Package |  |           |
|------------------|---------|--|-----------|
|                  | Name    | Description  | Version   |
| PN5120A0HN1/C2   | HVQFN32 | plastic thermal enhanced very thin quad flat package; no leads; 32 terminal; body 5 × 5 × 0.85 mm  | SOT617-1  |
| PN5120A0HN/C2    | HVQFN40 | plastic thermal enhanced very thin quad flat package; no leads; 40 terminals; body 6 × 6 × 0.85 mm | SOT618-1  |
| PN512AA0HN1/C2   | HVQFN32 | plastic thermal enhanced very thin quad flat package; no leads; 32 terminal; body 5 × 5 × 0.85 mm  | SOT617-1  |
| PN512AA0HN1/C2BI | HVQFN32 | plastic thermal enhanced very thin quad flat package; no leads; 32 terminal; body 5 × 5 × 0.85 mm  | SOT617-1  |
| PN5120A0HN1/C1   | HVQFN32 | plastic thermal enhanced very thin quad flat package; no leads; 32 terminal; body 5 × 5 × 0.85 mm  | SOT617-1  |
| PN5120A0HN/C1    | HVQFN40 | plastic thermal enhanced very thin quad flat package; no leads; 40 terminals; body 6 × 6 × 0.85 mm | SOT618-1  |
| PN5120A0ET/C2    | TFBGA64 | plastic thin fine-pitch ball grid array package; 64 balls  | SOT1336-1 |

## 5. Block diagram

The analog interface handles the modulation and demodulation of the analog signals according to the Card Receiving mode, Reader/Writer mode and NFCIP-1 mode communication scheme.

The RF level detector detects the presence of an external RF-field delivered by the antenna to the RX pin.

The Data mode detector detects a MIFARE, FeliCa or NFCIP-1 mode in order to prepare the internal receiver to demodulate signals, which are sent to the PN512.

The communication (S<sup>2</sup>C) interface provides digital signals to support communication for transfer speeds above 424 kbit/s and digital signals to communicate to a secure IC.

The contactless UART manages the protocol requirements for the communication protocols in cooperation with the host. The FIFO buffer ensures fast and convenient data transfer to and from the host and the contactless UART and vice versa.

Various host interfaces are implemented to meet different customer requirements.

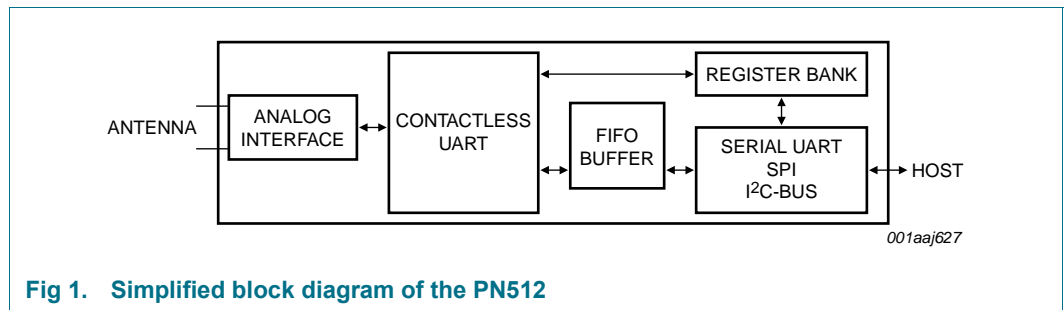


Fig 1. Simplified block diagram of the PN512



Fig 2. Detailed block diagram of the PN512

## 6. Pinning information

### 6.1 Pinning







Fig 5. Pin configuration TFBGA64 (SOT1336-1)

## 6.2 Pin description

Table 3. Pin description HVQFN32

| Pin      | Symbol   | Type | Description   |
|----------|----------|------|---|
| 1        | A1       | I    | <b>Address Line</b>   |
| 2        | PVDD     | PWR  | <b>Pad power supply</b>   |
| 3        | DVDD     | PWR  | <b>Digital Power Supply</b>   |
| 4        | DVSS     | PWR  | <b>Digital Ground</b>   |
| 5        | PVSS     | PWR  | <b>Pad power supply ground</b>  |
| 6        | NRSTPD   | I    | <b>Not Reset and Power Down:</b> When LOW, internal current sinks are switched off, the oscillator is inhibited, and the input pads are disconnected from the outside world. With a positive edge on this pin the internal reset phase starts.  |
| 7        | SIGIN    | I    | <b>Communication Interface Input:</b> accepts a digital, serial data stream   |
| 8        | SIGOUT   | O    | <b>Communication Interface Output:</b> delivers a serial data stream  |
| 9        | SVDD     | PWR  | <b>S2C Pad Power Supply:</b> provides power to the S <sup>2</sup> C pads  |
| 10       | TVSS     | PWR  | <b>Transmitter Ground:</b> supplies the output stage of TX1 and TX2   |
| 11       | TX1      | O    | <b>Transmitter 1:</b> delivers the modulated 13.56 MHz energy carrier   |
| 12       | TVDD     | PWR  | <b>Transmitter Power Supply:</b> supplies the output stage of TX1 and TX2   |
| 13       | TX2      | O    | <b>Transmitter 2:</b> delivers the modulated 13.56 MHz energy carrier   |
| 14       | TVSS     | PWR  | <b>Transmitter Ground:</b> supplies the output stage of TX1 and TX2   |
| 15       | AVDD     | PWR  | <b>Analog Power Supply</b>  |
| 16       | VMID     | PWR  | <b>Internal Reference Voltage:</b> This pin delivers the internal reference voltage.  |
| 17       | RX       | I    | <b>Receiver Input</b>   |
| 18       | AVSS     | PWR  | <b>Analog Ground</b>  |
| 19       | AUX1     | O    | <b>Auxiliary Outputs:</b> These pins are used for testing.  |
| 20       | AUX2     | O    |   |
| 21       | OSCIN    | I    | <b>Crystal Oscillator Input:</b> input to the inverting amplifier of the oscillator. This pin is also the input for an externally generated clock ( $f_{osc} = 27.12$ MHz).   |
| 22       | OSCOUT   | O    | <b>Crystal Oscillator Output:</b> Output of the inverting amplifier of the oscillator.  |
| 23       | IRQ      | O    | <b>Interrupt Request:</b> output to signal an interrupt event   |
| 24       | ALE      | I    | <b>Address Latch Enable:</b> signal to latch AD0 to AD5 into the internal address latch when HIGH.  |
| 25 to 31 | D1 to D7 | I/O  | <p><b>8-bit Bi-directional Data Bus.</b></p> <p><b>Remark:</b> An 8-bit parallel interface is not available.</p> <p><b>Remark:</b> If the host controller selects I<sup>2</sup>C as digital host controller interface, these pins can be used to define the I<sup>2</sup>C address.</p> <p><b>Remark:</b> For serial interfaces this pins can be used for test signals or I/Os.</p> |
| 32       | A0       | I    | <b>Address Line</b>   |

Table 4. Pin description HVQFN40

| Pin      | Symbol   | Type | Description  |
|----------|----------|------|--|
| 1 to 4   | A2 to A5 | I    | <b>Address Line</b>  |
| 5        | PVDD     | PWR  | <b>Pad power supply</b>  |
| 6        | DVDD     | PWR  | <b>Digital Power Supply</b>  |
| 7        | DVSS     | PWR  | <b>Digital Ground</b>  |
| 8        | PVSS     | PWR  | <b>Pad power supply ground</b>   |
| 9        | NRSTPD   | I    | <b>Not Reset and Power Down:</b> When LOW, internal current sinks are switched off, the oscillator is inhibited, and the input pads are disconnected from the outside world. With a positive edge on this pin the internal reset phase starts.   |
| 10       | SIGIN    | I    | <b>Communication Interface Input:</b> accepts a digital, serial data stream  |
| 11       | SIGOUT   | O    | <b>Communication Interface Output:</b> delivers a serial data stream   |
| 12       | SVDD     | PWR  | <b>S<sup>2</sup>C Pad Power Supply:</b> provides power to the S <sup>2</sup> C pads  |
| 13       | TVSS     | PWR  | <b>Transmitter Ground:</b> supplies the output stage of TX1 and TX2  |
| 14       | TX1      | O    | <b>Transmitter 1:</b> delivers the modulated 13.56 MHz energy carrier  |
| 15       | TVDD     | PWR  | <b>Transmitter Power Supply:</b> supplies the output stage of TX1 and TX2  |
| 16       | TX2      | O    | <b>Transmitter 2:</b> delivers the modulated 13.56 MHz energy carrier  |
| 17       | TVSS     | PWR  | <b>Transmitter Ground:</b> supplies the output stage of TX1 and TX2  |
| 18       | AVDD     | PWR  | <b>Analog Power Supply</b>   |
| 19       | VMID     | PWR  | <b>Internal Reference Voltage:</b> This pin delivers the internal reference voltage.   |
| 20       | RX       | I    | <b>Receiver Input</b>  |
| 21       | AVSS     | PWR  | <b>Analog Ground</b>   |
| 22       | AUX1     | O    | <b>Auxiliary Outputs:</b> These pins are used for testing.   |
| 23       | AUX2     | O    |  |
| 24       | OSCIN    | I    | <b>Crystal Oscillator Input:</b> input to the inverting amplifier of the oscillator. This pin is also the input for an externally generated clock ( $f_{osc} = 27.12$ MHz).  |
| 25       | OSCOU    | O    | <b>Crystal Oscillator Output:</b> Output of the inverting amplifier of the oscillator.   |
| 26       | IRQ      | O    | <b>Interrupt Request:</b> output to signal an interrupt event  |
| 27       | NWR      | I    | <b>Not Write:</b> strobe to write data (applied on D0 to D7) into the PN512 register   |
| 28       | NRD      | I    | <b>Not Read:</b> strobe to read data from the PN512 register (applied on D0 to D7)   |
| 29       | ALE      | I    | <b>Address Latch Enable:</b> signal to latch AD0 to AD5 into the internal address latch when HIGH.   |
| 30       | NCS      | I    | <b>Not Chip Select:</b> selects and activates the host controller interface of the PN512   |
| 31 to 38 | D0 to D7 | I/O  | <b>8-bit Bi-directional Data Bus.</b><br><b>Remark:</b> For serial interfaces this pins can be used for test signals or I/Os.<br><b>Remark:</b> If the host controller selects I <sup>2</sup> C as digital host controller interface, these pins can be used to define the I <sup>2</sup> C address. |
| 39 to 40 | A0 to A1 | I    | <b>Address Line</b>  |

Table 5. Pin description TFBGA64

| Pin  | Symbol | Type | Description   |
|--|--------|------|---|
| A1 to A5, A8, B3, B4, B8, E1                     | PVSS   | PWR  | <b>Pad power supply ground</b>  |
| A6   | D4     | I/O  | <b>8-bit Bi-directional Data Bus.</b>   |
| A7   | D2     | I/O  | <b>Remark:</b> For serial interfaces this pins can be used for test signals or I/Os.<br><b>Remark:</b> If the host controller selects I <sup>2</sup> C as digital host controller interface, these pins can be used to define the I <sup>2</sup> C address. |
| B1   | PVDD   | PWR  | <b>Pad power supply</b>   |
| B2   | A0     | I    | <b>Address Line</b>   |
| B5   | D5     | I/O  | <b>8-bit Bi-directional Data Bus.</b>   |
| B6   | D3     | I/O  | <b>Remark:</b> For serial interfaces this pins can be used for test signals or I/Os.  |
| B7   | D1     | I/O  | <b>Remark:</b> If the host controller selects I <sup>2</sup> C as digital host controller interface, these pins can be used to define the I <sup>2</sup> C address.   |
| C1   | DVDD   | PWR  | <b>Digital Power Supply</b>   |
| C2   | A1     | I    | <b>Address Line</b>   |
| C3   | D7     | I/O  | <b>8-bit Bi-directional Data Bus.</b>   |
| C4   | D6     | I/O  | <b>Remark:</b> For serial interfaces this pins can be used for test signals or I/Os.<br><b>Remark:</b> If the host controller selects I <sup>2</sup> C as digital host controller interface, these pins can be used to define the I <sup>2</sup> C address. |
| C5   | IRQ    | O    | <b>Interrupt Request:</b> output to signal an interrupt event   |
| C6   | ALE    | I    | <b>Address Latch Enable:</b> signal to latch AD0 to AD5 into the internal address latch when HIGH.  |
| C7, C8, D6, D8, E6, E8, F7, G8, H8               | AVSS   | PWR  | <b>Analog Ground</b>  |
| D1   | DVSS   | PWR  | <b>Digital Ground</b>   |
| D2   | NRSTPD | I    | <b>Not Reset and Power Down:</b> When LOW, internal current sinks are switched off, the oscillator is inhibited, and the input pads are disconnected from the outside world. With a positive edge on this pin the internal reset phase starts.              |
| D3 to D5, E3 to E5, F3, F4, G1 to G6, H1, H2, H6 | TVSS   | PWR  | <b>Transmitter Ground:</b> supplies the output stage of TX1 and TX2   |
| D7   | OSCOU  | O    | <b>Crystal Oscillator Output:</b> Output of the inverting amplifier of the oscillator.  |
| E2   | SIGIN  | I    | <b>Communication Interface Input:</b> accepts a digital, serial data stream   |
| E7   | OSCIN  | I    | <b>Crystal Oscillator Input:</b> input to the inverting amplifier of the oscillator. This pin is also the input for an externally generated clock ( $f_{osc} = 27.12$ MHz).   |
| F1   | SVDD   | PWR  | <b>S<sup>2</sup>C Pad Power Supply:</b> provides power to the S <sup>2</sup> C pads   |
| F2   | SIGOUT | O    | <b>Communication Interface Output:</b> delivers a serial data stream  |
| F5   | AUX1   | O    | <b>Auxiliary Outputs:</b> These pins are used for testing.  |
| F6   | AUX2   | O    |   |
| F8   | RX     | I    | <b>Receiver Input</b>   |
| G7   | VMID   | PWR  | <b>Internal Reference Voltage:</b> This pin delivers the internal reference voltage.  |
| H3   | TX1    | O    | <b>Transmitter 1:</b> delivers the modulated 13.56 MHz energy carrier   |

Table 5. Pin description TFBGA64

| Pin | Symbol | Type | Description   |
|-----|--------|------|---|
| H4  | TVDD   | PWR  | <b>Transmitter Power Supply:</b> supplies the output stage of TX1 and TX2 |
| H5  | TX2    | O    | <b>Transmitter 2:</b> delivers the modulated 13.56 MHz energy carrier     |
| H7  | AVDD   | PWR  | <b>Analog Power Supply</b>  |

## 7. Functional description

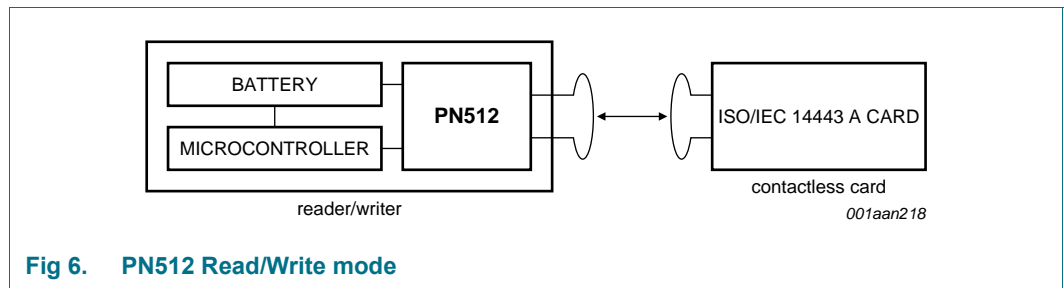
The PN512 transmission module supports the Read/Write mode for ISO/IEC 14443 A/MIFARE and ISO/IEC 14443 B using various transfer speeds and modulation protocols.

PN512 NFC frontend supports the following operating modes:

- Reader/Writer mode supporting ISO/IEC 14443A/MIFARE and FeliCa scheme
- Card Operation mode supporting ISO/IEC 14443A/MIFARE and FeliCa scheme
- NFCIP-1 mode

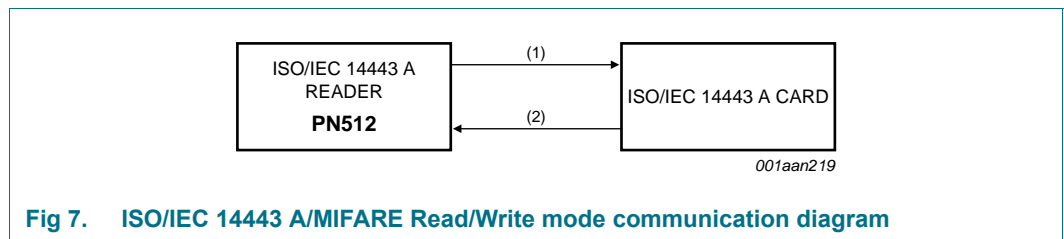
The modes support different transfer speeds and modulation schemes. The following chapters will explain the different modes in detail.

Note: All indicated modulation indices and modes in this chapter are system parameters. This means that beside the IC settings a suitable antenna tuning is required to achieve the optimum performance.



### 7.1 ISO/IEC 14443 A/MIFARE functionality

The physical level communication is shown in [Figure 7](#).



The physical parameters are described in [Table 4](#).

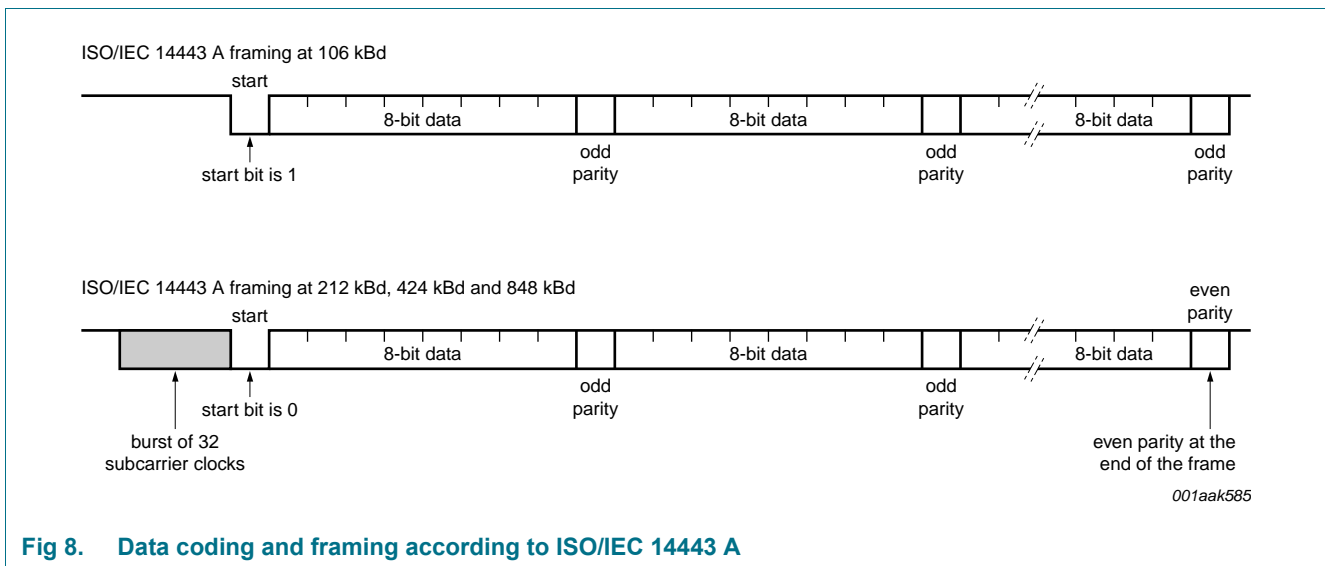
**Table 6. Communication overview for ISO/IEC 14443 A/MIFARE reader/writer**

| Communication direction                             | Signal type            | Transfer speed           |                          |                          |
|---|------------------------|--------------------------|--------------------------|--------------------------|
|   |                        | 106 kBd                  | 212 kBd                  | 424 kBd                  |
| Reader to card (send data from the PN512 to a card) | reader side modulation | 100 % ASK                | 100 % ASK                | 100 % ASK                |
|   | bit encoding           | modified Miller encoding | modified Miller encoding | modified Miller encoding |
|   | bit length             | 128 (13.56 μs)           | 64 (13.56 μs)            | 32 (13.56 μs)            |

**Table 6. Communication overview for ISO/IEC 14443 A/MIFARE reader/writer ...continued**

| Communication direction                             | Signal type          | Transfer speed             |                            |                            |
|---|----------------------|----------------------------|----------------------------|----------------------------|
|   |                      | 106 kBd                    | 212 kBd                    | 424 kBd                    |
| Card to reader<br>(PN512 receives data from a card) | card side modulation | subcarrier load modulation | subcarrier load modulation | subcarrier load modulation |
|   | subcarrier frequency | 13.56 MHz/16               | 13.56 MHz/16               | 13.56 MHz/16               |
|   | bit encoding         | Manchester encoding        | BPSK                       | BPSK                       |

The PN512's contactless UART and dedicated external host must manage the complete ISO/IEC 14443 A/MIFARE protocol. [Figure 8](#) shows the data coding and framing according to ISO/IEC 14443 A/MIFARE.



**Fig 8. Data coding and framing according to ISO/IEC 14443 A**

The internal CRC coprocessor calculates the CRC value based on ISO/IEC 14443 A part 3 and handles parity generation internally according to the transfer speed. Automatic parity generation can be switched off using the ManualRCVReg register's ParityDisable bit.

## 7.2 ISO/IEC 14443 B functionality

The PN512 reader IC fully supports international standard ISO 14443 which includes communication schemes ISO 14443 A and ISO 14443 B.

Refer to the ISO 14443 reference documents *Identification cards - Contactless integrated circuit cards - Proximity cards* (parts 1 to 4).

### 7.3 FeliCa reader/writer functionality

The FeliCa mode is the general reader/writer to card communication scheme according to the FeliCa specification. The following diagram describes the communication on a physical level, the communication overview describes the physical parameters.



Fig 9. FeliCa reader/writer communication diagram

Table 7. Communication overview for FeliCa reader/writer

| Communication direction | FeliCa                      |                   | FeliCa Higher transfer speeds |
|-------------------------|-----------------------------|-------------------|-------------------------------|
|                         | Transfer speed              | 212 kbit/s        | 424 kbit/s                    |
| PN512 → card            | Modulation on reader side   | 8-30 % ASK        | 8-30 % ASK                    |
|                         | bit coding                  | Manchester Coding | Manchester Coding             |
|                         | Bitlength                   | (64/13.56) μs     | (32/13.56) μs                 |
| card → PN512            | Loadmodulation on card side | > 12 % ASK        | > 12 % ASK                    |
|                         | bit coding                  | Manchester coding | Manchester coding             |

The contactless UART of PN512 and a dedicated external host controller are required to handle the complete FeliCa protocol.

#### 7.3.1 FeliCa framing and coding

Table 8. FeliCa framing and coding

| Preamble |     |     |     |     |     | Sync |     | Len | n-Data |  |  |  | CRC |  |
|----------|-----|-----|-----|-----|-----|------|-----|-----|--------|--|--|--|-----|--|
| 00h      | 00h | 00h | 00h | 00h | 00h | B2h  | 4Dh |     |        |  |  |  |     |  |

To enable the FeliCa communication a 6 byte preamble (00h, 00h, 00h, 00h, 00h, 00h) and 2 bytes Sync bytes (B2h, 4Dh) are sent to synchronize the receiver.

The following Len byte indicates the length of the sent data bytes plus the LEN byte itself. The CRC calculation is done according to the FeliCa definitions with the MSB first.

To transmit data on the RF interface, the host controller has to send the Len- and data-bytes to the PN512's FIFO-buffer. The preamble and the sync bytes are generated by the PN512 automatically and must not be written to the FIFO by the host controller. The PN512 performs internally the CRC calculation and adds the result to the data frame.

Example for FeliCa CRC Calculation:

Table 9. Start value for the CRC Polynomial: (00h), (00h)

| Preamble |     |     |     |     |     | Sync |     | Len | 2 Data Bytes |     | CRC |     |
|----------|-----|-----|-----|-----|-----|------|-----|-----|--------------|-----|-----|-----|
| 00h      | 00h | 00h | 00h | 00h | 00h | B2h  | 4Dh | 03h | ABh          | CDh | 90h | 35h |



## 7.4 NFCIP-1 mode

The NFCIP-1 communication differentiates between an active and a Passive Communication mode.

- Active Communication mode means both the initiator and the target are using their own RF field to transmit data.
- Passive Communication mode means that the target answers to an initiator command in a load modulation scheme. The initiator is active in terms of generating the RF field.
- Initiator: generates RF field at 13.56 MHz and starts the NFCIP-1 communication
- Target: responds to initiator command either in a load modulation scheme in Passive Communication mode or using a self generated and self modulated RF field for Active Communication mode.

In order to fully support the NFCIP-1 standard the PN512 supports the Active and Passive Communication mode at the transfer speeds 106 kbit/s, 212 kbit/s and 424 kbit/s as defined in the NFCIP-1 standard.



### 7.4.1 Active communication mode

Active communication mode means both the initiator and the target are using their own RF field to transmit data.



Fig 11. Active communication mode

Table 10. Communication overview for Active communication mode

| Communication direction | 106 kbit/s   | 212 kbit/s                                       | 424 kbit/s                                      | 848 kbit/s | 1.69 Mbit/s, 3.39 Mbit/s |
|-------------------------|--|--|---|------------|--------------------------|
| Initiator → Target      | According to ISO/IEC 14443A<br>100 % ASK,<br>Modified Miller Coded | According to FeliCa, 8-30 % ASK Manchester Coded | digital capability to handle this communication |            |                          |
| Target → Initiator      |  |  |   |            |                          |

The contactless UART of PN512 and a dedicated host controller are required to handle the NFCIP-1 protocol.

Note: Transfer Speeds above 424 kbit/s are not defined in the NFCIP-1 standard. The PN512 supports these transfer speeds only with dedicated external circuits.

7.4.2 Passive communication mode

Passive Communication mode means that the target answers to an initiator command in a load modulation scheme. The initiator is active meaning generating the RF field.



Fig 12. Passive communication mode

Table 11. Communication overview for Passive communication mode

| Communication direction | 106 kbit/s   | 212 kbit/s                                       | 424 kbit/s | 848 kbit/s                                      | 1.69 Mbit/s, 3.39 Mbit/s |
|-------------------------|--|--|------------|---|--------------------------|
| Initiator → Target      | According to ISO/IEC 14443A<br>100 % ASK,<br>Modified Miller Coded             | According to FeliCa, 8-30 % ASK Manchester Coded |            | digital capability to handle this communication |                          |
| Target → Initiator      | According to ISO/IEC 14443A<br>subcarrier load modulation,<br>Manchester Coded | According to FeliCa, > 12 % ASK Manchester Coded |            |   |                          |

The contactless UART of PN512 and a dedicated host controller are required to handle the NFCIP-1 protocol.

Note: Transfer Speeds above 424 kbit/s are not defined in the NFCIP-1 standard. The PN512 supports these transfer speeds only with dedicated external circuits.

### 7.4.3 NFCIP-1 framing and coding

The NFCIP-1 framing and coding in Active and Passive Communication mode is defined in the NFCIP-1 standard.

**Table 12. Framing and coding overview**

| Transfer speed | Framing and Coding                            |
|----------------|---|
| 106 kbit/s     | According to the ISO/IEC 14443A/MIFARE scheme |
| 212 kbit/s     | According to the FeliCa scheme                |
| 424 kbit/s     | According to the FeliCa scheme                |

### 7.4.4 NFCIP-1 protocol support

The NFCIP-1 protocol is not completely described in this document. For detailed explanation of the protocol refer to the NFCIP-1 standard. However the datalink layer is according to the following policy:

- Speed shall not be changed while continuum data exchange in a transaction.
- Transaction includes initialization and anticollision methods and data exchange (in continuous way, meaning no interruption by another transaction).

In order not to disturb current infrastructure based on 13.56 MHz general rules to start NFCIP-1 communication are defined in the following way.

1. Per default NFCIP-1 device is in Target mode meaning its RF field is switched off.
2. The RF level detector is active.
3. Only if application requires the NFCIP-1 device shall switch to Initiator mode.
4. Initiator shall only switch on its RF field if no external RF field is detected by RF Level detector during a time of TIDT.
5. The initiator performs initialization according to the selected mode.

### 7.4.5 MIFARE Card operation mode

**Table 13. MIFARE Card operation mode**

| Communication direction   |                           | ISO/IEC 14443A/<br>MIFARE  | MIFARE Higher transfer speeds |                            |
|---------------------------|---------------------------|----------------------------|-------------------------------|----------------------------|
|                           |                           | transfer speed             | 106 kbit/s                    | 212 kbit/s                 |
| reader/writer →<br>PN512  | Modulation on reader side | 100 % ASK                  | 100 % ASK                     | 100 % ASK                  |
|                           | bit coding                | Modified Miller            | Modified Miller               | Modified Miller            |
|                           | Bitlength                 | (128/13.56) μs             | (64/13.56) μs                 | (32/13.56) μs              |
| PN512 → reader/<br>writer | Modulation on PN512 side  | subcarrier load modulation | subcarrier load modulation    | subcarrier load modulation |
|                           | subcarrier frequency      | 13.56 MHz/16               | 13.56 MHz/16                  | 13.56 MHz/16               |
|                           | bit coding                | Manchester coding          | BPSK                          | BPSK                       |

## 7.4.6 FeliCa Card operation mode

Table 14. FeliCa Card operation mode

| Communication direction |                               | FeliCa                     | FeliCa Higher transfer speeds |
|-------------------------|-------------------------------|----------------------------|-------------------------------|
|                         | Transfer speed                | 212 kbit/s                 | 424 kbit/s                    |
| reader/writer → PN512   | Modulation on reader side     | 8-30 % ASK                 | 8-30 % ASK                    |
|                         | bit coding                    | Manchester Coding          | Manchester Coding             |
|                         | Bitlength                     | (64/13.56) μs              | (32/13.56) μs                 |
| PN512 → reader/writer   | Load modulation on PN512 side | > 12 % ASK load modulation | > 12 % ASK load modulation    |
|                         | bit coding                    | Manchester coding          | Manchester coding             |

## 8. PN512 register SET

### 8.1 PN512 registers overview

Table 15. PN512 registers overview

| Addr (hex)                        | Register Name | Function  |
|-----------------------------------|---------------|---|
| <b>Page 0: Command and Status</b> |               |   |
| 0                                 | PageReg       | Selects the register page   |
| 1                                 | CommandReg    | Starts and stops command execution                                    |
| 2                                 | ComIEnReg     | Controls bits to enable and disable the passing of Interrupt Requests |
| 3                                 | DivIEnReg     | Controls bits to enable and disable the passing of Interrupt Requests |
| 4                                 | ComIrqReg     | Contains Interrupt Request bits                                       |
| 5                                 | DivIrqReg     | Contains Interrupt Request bits                                       |
| 6                                 | ErrorReg      | Error bits showing the error status of the last command executed      |
| 7                                 | Status1Reg    | Contains status bits for communication                                |
| 8                                 | Status2Reg    | Contains status bits of the receiver and transmitter                  |
| 9                                 | FIFODataReg   | In- and output of 64 byte FIFO-buffer                                 |
| A                                 | FIFOLevelReg  | Indicates the number of bytes stored in the FIFO                      |
| B                                 | WaterLevelReg | Defines the level for FIFO under- and overflow warning                |
| C                                 | ControlReg    | Contains miscellaneous Control Registers                              |
| D                                 | BitFramingReg | Adjustments for bit oriented frames                                   |
| E                                 | CollReg       | Bit position of the first bit collision detected on the RF-interface  |
| F                                 | RFU           | Reserved for future use   |
| <b>Page 1: Command</b>            |               |   |
| 0                                 | PageReg       | Selects the register page   |
| 1                                 | ModeReg       | Defines general modes for transmitting and receiving                  |
| 2                                 | TxModeReg     | Defines the data rate and framing during transmission                 |
| 3                                 | RxModeReg     | Defines the data rate and framing during receiving                    |
| 4                                 | TxControlReg  | Controls the logical behavior of the antenna driver pins TX1 and TX2  |
| 5                                 | TxAutoReg     | Controls the setting of the antenna drivers                           |

Table 15. PN512 registers overview ...continued

| Addr (hex)                  | Register Name    | Function   |
|-----------------------------|------------------|--|
| 6                           | TxSelReg         | Selects the internal sources for the antenna driver  |
| 7                           | RxSelReg         | Selects internal receiver settings   |
| 8                           | RxThresholdReg   | Selects thresholds for the bit decoder   |
| 9                           | DemodReg         | Defines demodulator settings   |
| A                           | FelNFC1Reg       | Defines the length of the valid range for the receive package  |
| B                           | FelNFC2Reg       | Defines the length of the valid range for the receive package  |
| C                           | MifNFCReg        | Controls the communication in ISO/IEC 14443/MIFARE and NFC target mode at 106 kbit                             |
| D                           | ManualRCVReg     | Allows manual fine tuning of the internal receiver   |
| E                           | TypeBReg         | Configure the ISO/IEC 14443 type B   |
| F                           | SerialSpeedReg   | Selects the speed of the serial UART interface   |
| <b>Page 2: CFG</b>          |                  |  |
| 0                           | PageReg          | Selects the register page  |
| 1                           | CRCResultReg     | Shows the actual MSB and LSB values of the CRC calculation   |
| 2                           |                  |  |
| 3                           | GsNOffReg        | Selects the conductance of the antenna driver pins TX1 and TX2 for modulation, when the driver is switched off |
| 4                           | ModWidthReg      | Controls the setting of the ModWidth   |
| 5                           | TxBitPhaseReg    | Adjust the TX bit phase at 106 kbit  |
| 6                           | RFCfgReg         | Configures the receiver gain and RF level  |
| 7                           | GsNOnReg         | Selects the conductance of the antenna driver pins TX1 and TX2 for modulation when the drivers are switched on |
| 8                           | CWGSPReg         | Selects the conductance of the antenna driver pins TX1 and TX2 for modulation during times of no modulation    |
| 9                           | ModGsPReg        | Selects the conductance of the antenna driver pins TX1 and TX2 for modulation during modulation                |
| A                           | TModeReg         | Defines settings for the internal timer  |
| B                           | TPrescalerReg    |  |
| C                           | TReloadReg       | Describes the 16-bit timer reload value  |
| D                           |                  |  |
| E                           | TCounterValReg   |  |
| F                           |                  |  |
| <b>Page 3: TestRegister</b> |                  |  |
| 0                           | PageReg          | selects the register page  |
| 1                           | TestSel1Reg      | General test signal configuration  |
| 2                           | TestSel2Reg      | General test signal configuration and PRBS control   |
| 3                           | TestPinEnReg     | Enables pin output driver on 8-bit parallel bus (Note: For serial interfaces only)                             |
| 4                           | TestPin ValueReg | Defines the values for the 8-bit parallel bus when it is used as I/O bus                                       |
| 5                           | TestBusReg       | Shows the status of the internal testbus   |
| 6                           | AutoTestReg      | Controls the digital selftest  |

Table 15. PN512 registers overview ...continued

| Addr (hex) | Register Name | Function                                |
|------------|---------------|---|
| 7          | VersionReg    | Shows the version                       |
| 8          | AnalogTestReg | Controls the pins AUX1 and AUX2         |
| 9          | TestDAC1Reg   | Defines the test value for the TestDAC1 |
| A          | TestDAC2Reg   | Defines the test value for the TestDAC2 |
| B          | TestADCReg    | Shows the actual value of ADC I and Q   |
| C-F        | RFT           | Reserved for production tests           |

### 8.1.1 Register bit behavior

Depending on the functionality of a register, the access conditions to the register can vary. In principle bits with same behavior are grouped in common registers. In [Table 16](#) the access conditions are described.

Table 16. Behavior of register bits and its designation

| Abbreviation | Behavior       | Description  |
|--------------|----------------|--|
| r/w          | read and write | These bits can be written and read by the $\mu$ -Controller. Since they are used only for control means, their content is not influenced by internal state machines, e.g. the PageSelect-Register may be written and read by the $\mu$ -Controller. It will also be read by internal state machines, but never changed by them.                  |
| dy           | dynamic        | These bits can be written and read by the $\mu$ -Controller. Nevertheless, they may also be written automatically by internal state machines, e.g. the Command-Register changes its value automatically after the execution of the actual command.   |
| r            | read only      | These registers hold bits, whose value is determined by internal states only, e.g. the CRCReady bit can not be written from external but shows internal states.  |
| w            | write only     | Reading these registers returns always ZERO.   |
| RFU          | -              | These registers are reserved for future use.<br>In case of a PN512 Version version 2.0 (VersionReg = 82h) a read access to these registers returns always the value "0". Nevertheless this is not guaranteed for future chips versions where the value is undefined. In case of a write access, it is recommended to write always the value "0". |
| RFT          | -              | These registers are reserved for production tests and shall not be changed.  |

## 8.2 Register description

### 8.2.1 Page 0: Command and status

#### 8.2.1.1 PageReg

Selects the register page.

**Table 17. PageReg register (address 00h); reset value: 00h, 0000000b**

|               |                |          |          |          |          |          |            |          |
|---------------|----------------|----------|----------|----------|----------|----------|------------|----------|
|               | <b>7</b>       | <b>6</b> | <b>5</b> | <b>4</b> | <b>3</b> | <b>2</b> | <b>1</b>   | <b>0</b> |
|               | UsePage Select | 0        | 0        | 0        | 0        | 0        | PageSelect |          |
| Access Rights | r/w            | RFU      | RFU      | RFU      | RFU      | RFU      | r/w        | r/w      |

**Table 18. Description of PageReg bits**

| Bit    | Symbol        | Description   |
|--------|---------------|---|
| 7      | UsePageSelect | Set to logic 1, the value of PageSelect is used as register address A5 and A4. The LSB-bits of the register address are defined by the address pins or the internal address latch, respectively.<br>Set to logic 0, the whole content of the internal address latch defines the register address. The address pins are used as described in <a href="#">Section 9.1 “Automatic microcontroller interface detection”</a> . |
| 6 to 2 | -             | Reserved for future use.  |
| 1 to 0 | PageSelect    | The value of PageSelect is used only if UsePageSelect is set to logic 1. In this case it specifies the register page (which is A5 and A4 of the register address).  |

#### 8.2.1.2 CommandReg

Starts and stops command execution.

**Table 19. CommandReg register (address 01h); reset value: 20h, 00100000b**

|               |          |          |          |            |          |          |          |          |
|---------------|----------|----------|----------|------------|----------|----------|----------|----------|
|               | <b>7</b> | <b>6</b> | <b>5</b> | <b>4</b>   | <b>3</b> | <b>2</b> | <b>1</b> | <b>0</b> |
|               | 0        | 0        | RcvOff   | Power Down | Command  |          |          |          |
| Access Rights | RFU      | RFU      | r/w      | dy         | dy       | dy       | dy       | dy       |

**Table 20. Description of CommandReg bits**

| Bit    | Symbol    | Description   |
|--------|-----------|---|
| 7 to 6 | -         | Reserved for future use.  |
| 5      | RcvOff    | Set to logic 1, the analog part of the receiver is switched off.  |
| 4      | PowerDown | Set to logic 1, Soft Power-down mode is entered.<br>Set to logic 0, the PN512 starts the wake up procedure. During this procedure this bit still shows a 1. A 0 indicates that the PN512 is ready for operations; see <a href="#">Section 15.2 “Soft power-down mode”</a> .<br>Note: The bit Power Down cannot be set, when the command SoftReset has been activated. |
| 3 to 0 | Command   | Activates a command according to the Command Code. Reading this register shows, which command is actually executed (see <a href="#">Section 18.3 “PN512 command overview”</a> ).  |



### 8.2.1.3 CommIEnReg

Control bits to enable and disable the passing of interrupt requests.

**Table 21. CommIEnReg register (address 02h); reset value: 80h, 1000000b**

|               | 7      | 6     | 5     | 4       | 3          | 2          | 1      | 0        |
|---------------|--------|-------|-------|---------|------------|------------|--------|----------|
|               | IRqInv | TxIEn | RxIEn | IdleIEn | HiAlertIEn | LoAlertIEn | ErrIEn | TimerIEn |
| Access Rights | r/w    | r/w   | r/w   | r/w     | r/w        | r/w        | r/w    | r/w      |

**Table 22. Description of CommIEnReg bits**

| Bit | Symbol     | Description  |
|-----|------------|--|
| 7   | IRqInv     | Set to logic 1, the signal on pin IRQ is inverted with respect to bit IRq in the register Status1Reg. Set to logic 0, the signal on pin IRQ is equal to bit IRq. In combination with bit IRqPushPull in register DivIEnReg, the default value of 1 ensures, that the output level on pin IRQ is 3-state. |
| 6   | TxIEn      | Allows the transmitter interrupt request (indicated by bit TxIRq) to be propagated to pin IRQ.   |
| 5   | RxIEn      | Allows the receiver interrupt request (indicated by bit RxIRq) to be propagated to pin IRQ.  |
| 4   | IdleIEn    | Allows the idle interrupt request (indicated by bit IdleIRq) to be propagated to pin IRQ.  |
| 3   | HiAlertIEn | Allows the high alert interrupt request (indicated by bit HiAlertIRq) to be propagated to pin IRQ.   |
| 2   | LoAlertIEn | Allows the low alert interrupt request (indicated by bit LoAlertIRq) to be propagated to pin IRQ.  |
| 1   | ErrIEn     | Allows the error interrupt request (indicated by bit ErrIRq) to be propagated to pin IRQ.  |
| 0   | TimerIEn   | Allows the timer interrupt request (indicated by bit TimerIRq) to be propagated to pin IRQ.  |

### 8.2.1.4 DivIEnReg

Control bits to enable and disable the passing of interrupt requests.

**Table 23. DivIEnReg register (address 03h); reset value: 00h, 0000000b**

|               | 7           | 6   | 5   | 4           | 3       | 2      | 1       | 0        |
|---------------|-------------|-----|-----|-------------|---------|--------|---------|----------|
|               | IRQPushPull | 0   | 0   | SiginActIEn | ModelEn | CRCIEn | RFOnlEn | RFOffIEn |
| Access Rights | r/w         | RFU | RFU | r/w         | r/w     | r/w    | r/w     | r/w      |

**Table 24. Description of DivIEnReg bits**

| Bit    | Symbol      | Description   |
|--------|-------------|---|
| 7      | IRQPushPull | Set to logic 1, the pin IRQ works as standard CMOS output pad.<br>Set to logic 0, the pin IRQ works as open drain output pad. |
| 6 to 5 | -           | Reserved for future use.  |
| 4      | SiginActIEn | Allows the SIGIN active interrupt request to be propagated to pin IRQ.  |
| 3      | ModelEn     | Allows the mode interrupt request (indicated by bit ModelRq) to be propagated to pin IRQ.                                     |
| 2      | CRCIEn      | Allows the CRC interrupt request (indicated by bit CRCIRq) to be propagated to pin IRQ.                                       |
| 1      | RfOnIEn     | Allows the RF field on interrupt request (indicated by bit RfOnIRq) to be propagated to pin IRQ.                              |
| 0      | RfOffIEn    | Allows the RF field off interrupt request (indicated by bit RfOffIRq) to be propagated to pin IRQ.                            |

### 8.2.1.5 CommIRqReg

Contains Interrupt Request bits.

**Table 25. CommIRqReg register (address 04h); reset value: 14h, 00010100b**

|               | 7    | 6     | 5     | 4       | 3          | 2          | 1      | 0        |
|---------------|------|-------|-------|---------|------------|------------|--------|----------|
|               | Set1 | TxIRq | RxIRq | IdleIRq | HiAlertIRq | LoAlertIRq | ErrIRq | TimerIRq |
| Access Rights | w    | dy    | dy    | dy      | dy         | dy         | dy     | dy       |

**Table 26. Description of CommIRqReg bits**

All bits in the register CommIRqReg shall be cleared by software.

| Bit | Symbol     | Description   |
|-----|------------|---|
| 7   | Set1       | Set to logic 1, Set1 defines that the marked bits in the register CommIRqReg are set.<br>Set to logic 0, Set1 defines, that the marked bits in the register CommIRqReg are cleared.   |
| 6   | TxIRq      | Set to logic 1 immediately after the last bit of the transmitted data was sent out.   |
| 5   | RxIRq      | Set to logic 1 when the receiver detects the end of a valid datastream.<br>If the bit RxNoErr in register RxModeReg is set to logic 1, bit RxIRq is only set to logic 1 when data bytes are available in the FIFO.  |
| 4   | IdleIRq    | Set to logic 1, when a command terminates by itself e.g. when the CommandReg changes its value from any command to the Idle Command.<br>If an unknown command is started, the CommandReg changes its content to the idle state and the bit IdleIRq is set. Starting the Idle Command by the $\mu$ -Controller does not set bit IdleIRq. |
| 3   | HiAlertIRq | Set to logic 1, when bit HiAlert in register Status1Reg is set. In opposition to HiAlert, HiAlertIRq stores this event and can only be reset as indicated by bit Set1.  |
| 2   | LoAlertIRq | Set to logic 1, when bit LoAlert in register Status1Reg is set. In opposition to LoAlert, LoAlertIRq stores this event and can only be reset as indicated by bit Set1.  |
| 1   | ErrIRq     | Set to logic 1 if any error bit in the Error Register is set.   |
| 0   | TimerIRq   | Set to logic 1 when the timer decrements the TimerValue Register to zero.   |

### 8.2.1.6 DivIRqReg

Contains Interrupt Request bits

**Table 27. DivIRqReg register (address 05h); reset value: XXh, 000X00XXb**

|               | 7    | 6   | 5   | 4           | 3       | 2      | 1       | 0        |
|---------------|------|-----|-----|-------------|---------|--------|---------|----------|
|               | Set2 | 0   | 0   | SiginActIRq | ModelRq | CRCIRq | RFOnIRq | RFOffIRq |
| Access Rights | w    | RFU | RFU | dy          | dy      | dy     | dy      | dy       |

**Table 28. Description of DivIRqReg bits**

All bits in the register DivIRqReg shall be cleared by software.

| Bit    | Symbol      | Description  |
|--------|-------------|--|
| 7      | Set2        | Set to logic 1, Set2 defines that the marked bits in the register DivIRqReg are set.<br>Set to logic 0, Set2 defines, that the marked bits in the register DivIRqReg are cleared   |
| 6 to 5 | -           | Reserved for future use.   |
| 4      | SiginActIRq | Set to logic 1, when SIGIN is active. See <a href="#">Section 11.6 “S<sup>2</sup>C interface support”</a> . This interrupt is set when either a rising or falling signal edge is detected.   |
| 3      | ModelRq     | Set to logic 1, when the mode has been detected by the Data mode detector.<br>Note: The Data mode detector can only be activated by the AutoColl command and is terminated automatically having detected the Communication mode.<br>Note: The Data mode detector is automatically restarted after each RF Reset. |
| 2      | CRCIRq      | Set to logic 1, when the CRC command is active and all data are processed.   |
| 1      | RFOnIRq     | Set to logic 1, when an external RF field is detected.   |
| 0      | RFOffIRq    | Set to logic 1, when a present external RF field is switched off.  |

### 8.2.1.7 ErrorReg

Error bit register showing the error status of the last command executed.

**Table 29. ErrorReg register (address 06h); reset value: 00h, 0000000b**

|               | 7     | 6       | 5     | 4          | 3       | 2      | 1         | 0           |
|---------------|-------|---------|-------|------------|---------|--------|-----------|-------------|
|               | WrErr | TempErr | RFErr | BufferOvfl | CollErr | CRCErr | ParityErr | ProtocolErr |
| Access Rights | r     | r       | r     | r          | r       | r      | r         | r           |

**Table 30. Description of ErrorReg bits**

| Bit | Symbol                 | Description  |
|-----|------------------------|--|
| 7   | WrErr                  | Set to logic 1, when data is written into FIFO by the host controller during the AutoColl command or MFAuthent command or if data is written into FIFO by the host controller during the time between sending the last bit on the RF interface and receiving the last bit on the RF interface.   |
| 6   | TempErr <sup>[1]</sup> | Set to logic 1, if the internal temperature sensor detects overheating. In this case, the antenna drivers are switched off automatically.  |
| 5   | RFErr                  | Set to logic 1, if in Active Communication mode the counterpart does not switch on the RF field in time as defined in NFCIP-1 standard.<br>Note: RFErr is only used in Active Communication mode. The bits RxFraming or the bits TxFraming has to be set to 01 to enable this functionality.   |
| 4   | BufferOvfl             | Set to logic 1, if the host controller or a PN512's internal state machine (e.g. receiver) tries to write data into the FIFO-bufferFIFO-buffer although the FIFO-buffer is already full.   |
| 3   | CollErr                | Set to logic 1, if a bit-collision is detected. It is cleared automatically at receiver start-up phase. This bit is only valid during the bitwise anticollision at 106 kbit. During communication schemes at 212 and 424 kbit this bit is always set to logic 1.   |
| 2   | CRCErr                 | Set to logic 1, if bit RxCRCEn in register RxModeReg is set and the CRC calculation fails. It is cleared to 0 automatically at receiver start-up phase.  |
| 1   | ParityErr              | Set to logic 1, if the parity check has failed. It is cleared automatically at receiver start-up phase. Only valid for ISO/IEC 14443A/MIFARE or NFCIP-1 communication at 106 kbit.   |
| 0   | ProtocolErr            | Set to logic 1, if one out of the following cases occur: <ul style="list-style-type: none"> <li>Set to logic 1 if the SOF is incorrect. It is cleared automatically at receiver start-up phase. The bit is only valid for 106 kbit in Active and Passive Communication mode.</li> <li>If bit DetectSync in register ModeReg is set to logic 1 during FeliCa communication or active communication with transfer speeds higher than 106 kbit, the bit ProtocolErr is set to logic 1 in case of a byte length violation.</li> <li>During the AutoColl command, bit ProtocolErr is set to logic 1, if the bit Initiator in register ControlReg is set to logic 1.</li> <li>During the MFAuthent Command, bit ProtocolErr is set to logic 1, if the number of bytes received in one data stream is incorrect.</li> <li>Set to logic 1, if the Miller Decoder detects 2 pulses below the minimum time according to the ISO/IEC 14443A definitions.</li> </ul> |

[1] Command execution will clear all error bits except for bit TempErr. A setting by software is impossible.

8.2.1.8 Status1Reg

Contains status bits of the CRC, Interrupt and FIFO-buffer.

Table 31. Status1Reg register (address 07h); reset value: XXh, X100X01Xb

|               |          |       |          |     |          |       |         |         |
|---------------|----------|-------|----------|-----|----------|-------|---------|---------|
|               | 7        | 6     | 5        | 4   | 3        | 2     | 1       | 0       |
|               | RFFreqOK | CRCOK | CRCReady | IRq | TRunning | RFOOn | HiAlert | LoAlert |
| Access Rights | r        | r     | r        | r   | r        | r     | r       | r       |

Table 32. Description of Status1Reg bits

| Bit | Symbol   | Description  |
|-----|----------|--|
| 7   | RFFreqOK | Indicates if the frequency detected at the RX pin is in the range of 13.56 MHz.<br>Set to logic 1, if the frequency at the RX pin is in the range 12 MHz < RX pin frequency < 15 MHz.<br>Note: The value of RFFreqOK is not defined if the external RF frequency is in the range from 9 to 12 MHz or in the range from 15 to 19 MHz. |
| 6   | CRCOK    | Set to logic 1, if the CRC Result is zero. For data transmission and reception the bit CRCOK is undefined (use CRCErr in register ErrorReg). CRCOK indicates the status of the CRC co-processor, during calculation the value changes to ZERO, when the calculation is done correctly, the value changes to ONE.                     |
| 5   | CRCReady | Set to logic 1, when the CRC calculation has finished. This bit is only valid for the CRC co-processor calculation using the command CalcCRC.  |
| 4   | IRq      | This bit shows, if any interrupt source requests attention (with respect to the setting of the interrupt enable bits, see register CommIEnReg and DivIEnReg).  |
| 3   | TRunning | Set to logic 1, if the PN512's timer unit is running, e.g. the timer will decrement the TCounterValReg with the next timer clock.<br>Note: In the gated mode the bit TRunning is set to logic 1, when the timer is enabled by the register bits. This bit is not influenced by the gated signal.                                     |
| 2   | RFOOn    | Set to logic 1, if an external RF field is detected. This bit does not store the state of the RF field.  |
| 1   | HiAlert  | Set to logic 1, when the number of bytes stored in the FIFO-buffer fulfills the following equation:<br>$HiAlert = (64 - FIFOLength) \leq WaterLevel$<br>Example:<br>FIFOLength = 60, WaterLevel = 4 → HiAlert = 1<br>FIFOLength = 59, WaterLevel = 4 → HiAlert = 0   |
| 0   | LoAlert  | Set to logic 1, when the number of bytes stored in the FIFO-buffer fulfills the following equation: $LoAlert = FIFOLength \leq WaterLevel$<br>Example:<br>FIFOLength = 4, WaterLevel = 4 → LoAlert = 1<br>FIFOLength = 5, WaterLevel = 4 → LoAlert = 0   |

8.2.1.9 Status2Reg

Contains status bits of the Receiver, Transmitter and Data mode detector.

**Table 33. Status2Reg register (address 08h); reset value: 00h, 0000000b**

|               |               |                         |     |                 |             |             |   |   |
|---------------|---------------|-------------------------|-----|-----------------|-------------|-------------|---|---|
|               | 7             | 6                       | 5   | 4               | 3           | 2           | 1 | 0 |
|               | TempSensClear | I <sup>2</sup> CForceHS | 0   | TargetActivated | MFCrypto1On | Modem State |   |   |
| Access Rights | r/w           | r/w                     | RFU | dy              | dy          | r           | r | r |

**Table 34. Description of Status2Reg bits**

| Bit    | Symbol  | Description  |       |             |     |      |     |  |     |  |     |         |     |   |     |               |     |           |
|--------|---|--|-------|-------------|-----|------|-----|--|-----|--|-----|---------|-----|---|-----|---------------|-----|-----------|
| 7      | TempSensClear   | Set to logic 1, this bit clears the temperature error, if the temperature is below the alarm limit of 125 °C.  |       |             |     |      |     |  |     |  |     |         |     |   |     |               |     |           |
| 6      | I <sup>2</sup> CForceHS   | I <sup>2</sup> C input filter settings. Set to logic 1, the I <sup>2</sup> C input filter is set to the High-speed mode independent of the I <sup>2</sup> C protocol. Set to logic 0, the I <sup>2</sup> C input filter is set to the used I <sup>2</sup> C protocol.  |       |             |     |      |     |  |     |  |     |         |     |   |     |               |     |           |
| 5      | -   | Reserved for future use.   |       |             |     |      |     |  |     |  |     |         |     |   |     |               |     |           |
| 4      | TargetActivated   | Set to logic 1 if the Select command or if the Polling command was answered. Note: This bit can only be set during the AutoColl command in Passive Communication mode.<br>Note: This bit is cleared automatically by switching off the external RF field.  |       |             |     |      |     |  |     |  |     |         |     |   |     |               |     |           |
| 3      | MFCrypto1On   | This bit indicates that the MIFARE Crypto1 unit is switched on and therefore all data communication with the card is encrypted.<br>This bit can only be set to logic 1 by a successful execution of the MFAuthent Command. This bit is only valid in Reader/Writer mode for MIFARE cards. This bit shall be cleared by software.   |       |             |     |      |     |  |     |  |     |         |     |   |     |               |     |           |
| 2 to 0 | Modem State   | ModemState shows the state of the transmitter and receiver state machines.<br><table border="1" style="width: 100%; border-collapse: collapse;"> <thead> <tr> <th>Value</th> <th>Description</th> </tr> </thead> <tbody> <tr> <td>000</td> <td>IDLE</td> </tr> <tr> <td>001</td> <td>Wait for StartSend in register BitFramingReg</td> </tr> <tr> <td>010</td> <td>TxWait: Wait until RF field is present, if the bit TxWaitRF is set to logic 1. The minimum time for TxWait is defined by the TxWaitReg register.</td> </tr> <tr> <td>011</td> <td>Sending</td> </tr> <tr> <td>100</td> <td>RxWait: Wait until RF field is present, if the bit RxWaitRF is set to logic 1. The minimum time for RxWait is defined by the RxWait in the RxSelReg register.</td> </tr> <tr> <td>101</td> <td>Wait for data</td> </tr> <tr> <td>110</td> <td>Receiving</td> </tr> </tbody> </table> | Value | Description | 000 | IDLE | 001 | Wait for StartSend in register BitFramingReg | 010 | TxWait: Wait until RF field is present, if the bit TxWaitRF is set to logic 1. The minimum time for TxWait is defined by the TxWaitReg register. | 011 | Sending | 100 | RxWait: Wait until RF field is present, if the bit RxWaitRF is set to logic 1. The minimum time for RxWait is defined by the RxWait in the RxSelReg register. | 101 | Wait for data | 110 | Receiving |
| Value  | Description   |  |       |             |     |      |     |  |     |  |     |         |     |   |     |               |     |           |
| 000    | IDLE  |  |       |             |     |      |     |  |     |  |     |         |     |   |     |               |     |           |
| 001    | Wait for StartSend in register BitFramingReg  |  |       |             |     |      |     |  |     |  |     |         |     |   |     |               |     |           |
| 010    | TxWait: Wait until RF field is present, if the bit TxWaitRF is set to logic 1. The minimum time for TxWait is defined by the TxWaitReg register.              |  |       |             |     |      |     |  |     |  |     |         |     |   |     |               |     |           |
| 011    | Sending   |  |       |             |     |      |     |  |     |  |     |         |     |   |     |               |     |           |
| 100    | RxWait: Wait until RF field is present, if the bit RxWaitRF is set to logic 1. The minimum time for RxWait is defined by the RxWait in the RxSelReg register. |  |       |             |     |      |     |  |     |  |     |         |     |   |     |               |     |           |
| 101    | Wait for data   |  |       |             |     |      |     |  |     |  |     |         |     |   |     |               |     |           |
| 110    | Receiving   |  |       |             |     |      |     |  |     |  |     |         |     |   |     |               |     |           |

8.2.1.10 FIFODataReg

In- and output of 64 byte FIFO-buffer.

Table 35. FIFODataReg register (address 09h); reset value: XXh, XXXXXXXXb

|               |          |    |    |    |    |    |    |    |
|---------------|----------|----|----|----|----|----|----|----|
|               | 7        | 6  | 5  | 4  | 3  | 2  | 1  | 0  |
|               | FIFOData |    |    |    |    |    |    |    |
| Access Rights | dy       | dy | dy | dy | dy | dy | dy | dy |

Table 36. Description of FIFODataReg bits

| Bit    | Symbol   | Description   |
|--------|----------|---|
| 7 to 0 | FIFOData | Data input and output port for the internal 64 byte FIFO-buffer. The FIFO-buffer acts as parallel in/parallel out converter for all serial data stream in- and outputs. |

8.2.1.11 FIFOLevelReg

Indicates the number of bytes stored in the FIFO.

Table 37. FIFOLevelReg register (address 0Ah); reset value: 00h, 00000000b

|               |             |           |   |   |   |   |   |   |
|---------------|-------------|-----------|---|---|---|---|---|---|
|               | 7           | 6         | 5 | 4 | 3 | 2 | 1 | 0 |
|               | FlushBuffer | FIFOLevel |   |   |   |   |   |   |
| Access Rights | w           | r         | r | r | r | r | r | r |

Table 38. Description of FIFOLevelReg bits

| Bit    | Symbol      | Description  |
|--------|-------------|--|
| 7      | FlushBuffer | Set to logic 1, this bit clears the internal FIFO-buffer's read- and write-pointer and the bit BufferOvfl in the register ErrReg immediately. Reading this bit will always return 0. |
| 6 to 0 | FIFOLevel   | Indicates the number of bytes stored in the FIFO-buffer. Writing to the FIFODataReg increments, reading decrements the FIFOLevel.  |



### 8.2.1.12 WaterLevelReg

Defines the level for FIFO under- and overflow warning.

**Table 39. WaterLevelReg register (address 0Bh); reset value: 08h, 00001000b**

|               | 7   | 6   | 5          | 4   | 3   | 2   | 1   | 0   |
|---------------|-----|-----|------------|-----|-----|-----|-----|-----|
|               | 0   | 0   | WaterLevel |     |     |     |     |     |
| Access Rights | RFU | RFU | r/w        | r/w | r/w | r/w | r/w | r/w |

**Table 40. Description of WaterLevelReg bits**

| Bit    | Symbol     | Description   |
|--------|------------|---|
| 7 to 6 | -          | Reserved for future use.  |
| 5 to 0 | WaterLevel | <p>This register defines a warning level to indicate a FIFO-buffer over- or underflow:</p> <p>The bit HiAlert in Status1Reg is set to logic 1, if the remaining number of bytes in the FIFO-buffer space is equal or less than the defined number of WaterLevel bytes.</p> <p>The bit LoAlert in Status1Reg is set to logic 1, if equal or less than WaterLevel bytes are in the FIFO.</p> <p>Note: For the calculation of HiAlert and LoAlert see <a href="#">Table 31</a></p> |

### 8.2.1.13 ControlReg

Miscellaneous control bits.

**Table 41. ControlReg register (address 0Ch); reset value: 00h, 00000000b**

|               | 7        | 6         | 5             | 4         | 3   | 2          | 1 | 0 |
|---------------|----------|-----------|---------------|-----------|-----|------------|---|---|
|               | TStopNow | TStartNow | WrNFCIDtoFIFO | Initiator | 0   | RxLastBits |   |   |
| Access Rights | w        | w         | dy            | r/w       | RFU | r          | r | r |

**Table 42. Description of ControlReg bits**

| Bit    | Symbol        | Description  |
|--------|---------------|--|
| 7      | TStopNow      | Set to logic 1, the timer stops immediately.<br>Reading this bit will always return 0.                                       |
| 6      | TStartNow     | Set to logic 1 starts the timer immediately.<br>Reading this bit will always return 0.                                       |
| 5      | WrNFCIDtoFIFO | Set to logic 1, the internal stored NFCID (10 bytes) is copied into the FIFO.<br>Afterwards the bit is cleared automatically |
| 4      | Initiator     | Set to logic 1, the PN512 acts as initiator, otherwise it acts as target   |
| 3      | -             | Reserved for future use.   |
| 2 to 0 | RxLastBits    | Shows the number of valid bits in the last received byte. If zero, the whole byte is valid.                                  |

8.2.1.14 BitFramingReg

Adjustments for bit oriented frames.

Table 43. BitFramingReg register (address 0Dh); reset value: 00h, 0000000b

|               |           |         |     |     |     |            |     |     |
|---------------|-----------|---------|-----|-----|-----|------------|-----|-----|
|               | 7         | 6       | 5   | 4   | 3   | 2          | 1   | 0   |
|               | StartSend | RxAlign |     |     | 0   | TxLastBits |     |     |
| Access Rights | w         | r/w     | r/w | r/w | RFU | r/w        | r/w | r/w |

Table 44. Description of BitFramingReg bits

| Bit    | Symbol     | Description   |
|--------|------------|---|
| 7      | StartSend  | Set to logic 1, the transmission of data starts.<br>This bit is only valid in combination with the Transceive command.  |
| 6 to 4 | RxAlign    | Used for reception of bit oriented frames: RxAlign defines the bit position for the first bit received to be stored in the FIFO. Further received bits are stored at the following bit positions.<br>Example:<br>RxAlign = 0: the LSB of the received bit is stored at bit 0, the second received bit is stored at bit position 1.<br>RxAlign = 1: the LSB of the received bit is stored at bit 1, the second received bit is stored at bit position 2.<br>RxAlign = 7: the LSB of the received bit is stored at bit 7, the second received bit is stored in the following byte at bit position 0.<br>This bit shall only be used for bitwise anticollision at 106 kbit/s in Passive Communication mode. In all other modes it shall be set to logic 0. |
| 3      | -          | Reserved for future use.  |
| 2 to 0 | TxLastBits | Used for transmission of bit oriented frames: TxLastBits defines the number of bits of the last byte that shall be transmitted. A 000 indicates that all bits of the last byte shall be transmitted.  |

### 8.2.1.15 CollReg

Defines the first bit collision detected on the RF interface.

**Table 45. CollReg register (address 0Eh); reset value: XXh, 101XXXXb**

|               | 7                | 6   | 5                | 4 | 3 | 2       | 1 | 0 |
|---------------|------------------|-----|------------------|---|---|---------|---|---|
|               | Values AfterColl | 0   | CollPos NotValid |   |   | CollPos |   |   |
| Access Rights | r/w              | RFU | r                | r | r | r       | r | r |

**Table 46. Description of CollReg bits**

| Bit    | Symbol  | Description  |     |   |     |  |     |  |
|--------|---|--|-----|---|-----|--|-----|--|
| 7      | ValuesAfterColl                                       | If this bit is set to logic 0, all receiving bits will be cleared after a collision. This bit shall only be used during bitwise anticollision at 106 kbit, otherwise it shall be set to logic 1.   |     |   |     |  |     |  |
| 6      | -   | Reserved for future use.   |     |   |     |  |     |  |
| 5      | CollPosNotValid                                       | Set to logic 1, if no Collision is detected or the Position of the Collision is out of the range of bits CollPos. This bit shall only be interpreted in Passive Communication mode at 106 kbit or ISO/IEC 14443A/MIFARE Reader/Writer mode.  |     |   |     |  |     |  |
| 4 to 0 | CollPos   | <p>These bits show the bit position of the first detected collision in a received frame, only data bits are interpreted.</p> <p>Example:</p> <table border="0"> <tr> <td>00h</td> <td>indicates a bit collision in the 32<sup>th</sup> bit</td> </tr> <tr> <td>01h</td> <td>indicates a bit collision in the 1<sup>st</sup> bit</td> </tr> <tr> <td>08h</td> <td>indicates a bit collision in the 8<sup>th</sup> bit</td> </tr> </table> <p>These bits shall only be interpreted in Passive Communication mode at 106 kbit or ISO/IEC 14443A/MIFARE Reader/Writer mode if bit CollPosNotValid is set to logic 0.</p> | 00h | indicates a bit collision in the 32 <sup>th</sup> bit | 01h | indicates a bit collision in the 1 <sup>st</sup> bit | 08h | indicates a bit collision in the 8 <sup>th</sup> bit |
| 00h    | indicates a bit collision in the 32 <sup>th</sup> bit |  |     |   |     |  |     |  |
| 01h    | indicates a bit collision in the 1 <sup>st</sup> bit  |  |     |   |     |  |     |  |
| 08h    | indicates a bit collision in the 8 <sup>th</sup> bit  |  |     |   |     |  |     |  |

## 8.2.2 Page 1: Communication

### 8.2.2.1 PageReg

Selects the register page.

**Table 47. PageReg register (address 10h); reset value: 00h, 00000000b**

|               | 7              | 6   | 5   | 4   | 3   | 2   | 1          | 0   |
|---------------|----------------|-----|-----|-----|-----|-----|------------|-----|
|               | UsePage Select | 0   | 0   | 0   | 0   | 0   | PageSelect |     |
| Access Rights | r/w            | RFU | RFU | RFU | RFU | RFU | r/w        | r/w |

**Table 48. Description of PageReg bits**

| Bit    | Symbol         | Description   |
|--------|----------------|---|
| 7      | UsePage Select | Set to logic 1, the value of PageSelect is used as register address A5 and A4. The LSB-bits of the register address are defined by the address pins or the internal address latch, respectively.<br>Set to logic 0, the whole content of the internal address latch defines the register address. The address pins are used as described in <a href="#">Section 9.1 “Automatic microcontroller interface detection”</a> . |
| 6 to 2 | -              | Reserved for future use.  |
| 1 to 0 | PageSelect     | The value of PageSelect is used only, if UsePageSelect is set to logic 1. In this case it specifies the register page (which is A5 and A4 of the register address).   |

### 8.2.2.2 ModeReg

Defines general mode settings for transmitting and receiving.

**Table 49. ModeReg register (address 11h); reset value: 3Bh, 00111011b**

|               | 7        | 6           | 5        | 4        | 3        | 2          | 1         | 0   |
|---------------|----------|-------------|----------|----------|----------|------------|-----------|-----|
|               | MSBFirst | Detect Sync | TxWaitRF | RxWaitRF | PolSigin | ModeDetOff | CRCPreset |     |
| Access Rights | r/w      | r/w         | r/w      | r/w      | r/w      | r/w        | r/w       | r/w |

**Table 50. Description of ModeReg bits**

| Bit    | Symbol      | Description  |       |             |    |      |    |      |    |      |    |      |
|--------|-------------|--|-------|-------------|----|------|----|------|----|------|----|------|
| 7      | MSBFirst    | Set to logic 1, the CRC co-processor calculates the CRC with MSB first and the CRCResultMSB and the CRCResultLSB in the CRCResultReg register are bit reversed.<br>Note: During RF communication this bit is ignored.  |       |             |    |      |    |      |    |      |    |      |
| 6      | Detect Sync | If set to logic 1, the contactless UART waits for the value F0h before the receiver is activated and F0h is added as a Sync-byte for transmission.<br>This bit is only valid for 106 kbit during NFCIP-1 data exchange protocol.<br>In all other modes it shall be set to logic 0.         |       |             |    |      |    |      |    |      |    |      |
| 5      | TxWaitRF    | Set to logic 1 the transmitter in reader/writer or initiator mode for NFCIP-1 can only be started, if an RF field is generated.  |       |             |    |      |    |      |    |      |    |      |
| 4      | RxWaitRF    | Set to logic 1, the counter for RxWait starts only if an external RF field is detected in Target mode for NFCIP-1 or in Card Communication mode.   |       |             |    |      |    |      |    |      |    |      |
| 3      | PolSigin    | PolSigin defines the polarity of the SIGIN pin. Set to logic 1, the polarity of SIGIN pin is active high. Set to logic 0 the polarity of SIGIN pin is active low.<br>Note: The internal envelope signal is coded active low.<br>Note: Changing this bit will generate a SiginActLRq event. |       |             |    |      |    |      |    |      |    |      |
| 2      | ModeDetOff  | Set to logic 1, the internal mode detector is switched off.<br>Note: The mode detector is only active during the AutoColl command.   |       |             |    |      |    |      |    |      |    |      |
| 1 to 0 | CRCPreset   | Defines the preset value for the CRC co-processor for the command CalCRC.<br>Note: During any communication, the preset values is selected automatically according to the definition in the bits RxMode and TxMode.  |       |             |    |      |    |      |    |      |    |      |
|        |             | <table border="1"> <thead> <tr> <th>Value</th> <th>Description</th> </tr> </thead> <tbody> <tr> <td>00</td> <td>0000</td> </tr> <tr> <td>01</td> <td>6363</td> </tr> <tr> <td>10</td> <td>A671</td> </tr> <tr> <td>11</td> <td>FFFF</td> </tr> </tbody> </table>                           | Value | Description | 00 | 0000 | 01 | 6363 | 10 | A671 | 11 | FFFF |
| Value  | Description |  |       |             |    |      |    |      |    |      |    |      |
| 00     | 0000        |  |       |             |    |      |    |      |    |      |    |      |
| 01     | 6363        |  |       |             |    |      |    |      |    |      |    |      |
| 10     | A671        |  |       |             |    |      |    |      |    |      |    |      |
| 11     | FFFF        |  |       |             |    |      |    |      |    |      |    |      |

8.2.2.3 TxModeReg

Defines the data rate and framing during transmission.

**Table 51. TxModeReg register (address 12h); reset value: 00h, 0000000b**

|               |          |          |          |          |          |          |           |          |
|---------------|----------|----------|----------|----------|----------|----------|-----------|----------|
|               | <b>7</b> | <b>6</b> | <b>5</b> | <b>4</b> | <b>3</b> | <b>2</b> | <b>1</b>  | <b>0</b> |
|               | TxCRCEn  | TxSpeed  |          |          | InvMod   | TxMix    | TxFraming |          |
| Access Rights | r/w      | dy       | dy       | dy       | r/w      | r/w      | dy        | dy       |

**Table 52. Description of TxModeReg bits**

| Bit    | Symbol  | Description  |       |             |     |   |     |                           |     |  |     |                |     |           |     |           |     |          |     |          |
|--------|---|--|-------|-------------|-----|---|-----|---------------------------|-----|--|-----|----------------|-----|-----------|-----|-----------|-----|----------|-----|----------|
| 7      | TxCRCEn   | Set to logic 1, this bit enables the CRC generation during data transmission.<br>Note: This bit shall only be set to logic 0 at 106 kbit.  |       |             |     |   |     |                           |     |  |     |                |     |           |     |           |     |          |     |          |
| 6 to 4 | TxSpeed   | Defines the bit rate while data transmission.<br><table border="1" style="width: 100%; border-collapse: collapse;"> <thead> <tr> <th>Value</th> <th>Description</th> </tr> </thead> <tbody> <tr><td>000</td><td>106 kbit</td></tr> <tr><td>001</td><td>212 kbit</td></tr> <tr><td>010</td><td>424 kbit</td></tr> <tr><td>011</td><td>848 kbit</td></tr> <tr><td>100</td><td>1696 kbit</td></tr> <tr><td>101</td><td>3392 kbit</td></tr> <tr><td>110</td><td>Reserved</td></tr> <tr><td>111</td><td>Reserved</td></tr> </tbody> </table><br>Note: The bit coding for transfer speeds above 424 kbit is equivalent to the bit coding of Active Communication mode 424 kbit (Ecma 340). | Value | Description | 000 | 106 kbit  | 001 | 212 kbit                  | 010 | 424 kbit   | 011 | 848 kbit       | 100 | 1696 kbit | 101 | 3392 kbit | 110 | Reserved | 111 | Reserved |
| Value  | Description   |  |       |             |     |   |     |                           |     |  |     |                |     |           |     |           |     |          |     |          |
| 000    | 106 kbit  |  |       |             |     |   |     |                           |     |  |     |                |     |           |     |           |     |          |     |          |
| 001    | 212 kbit  |  |       |             |     |   |     |                           |     |  |     |                |     |           |     |           |     |          |     |          |
| 010    | 424 kbit  |  |       |             |     |   |     |                           |     |  |     |                |     |           |     |           |     |          |     |          |
| 011    | 848 kbit  |  |       |             |     |   |     |                           |     |  |     |                |     |           |     |           |     |          |     |          |
| 100    | 1696 kbit   |  |       |             |     |   |     |                           |     |  |     |                |     |           |     |           |     |          |     |          |
| 101    | 3392 kbit   |  |       |             |     |   |     |                           |     |  |     |                |     |           |     |           |     |          |     |          |
| 110    | Reserved  |  |       |             |     |   |     |                           |     |  |     |                |     |           |     |           |     |          |     |          |
| 111    | Reserved  |  |       |             |     |   |     |                           |     |  |     |                |     |           |     |           |     |          |     |          |
| 3      | InvMod  | Set to logic 1, the modulation for transmitting data is inverted.  |       |             |     |   |     |                           |     |  |     |                |     |           |     |           |     |          |     |          |
| 2      | TxMix   | Set to logic 1, the signal at pin SIGIN is mixed with the internal coder (see <a href="#">Section 11.6 "S<sup>2</sup>C interface support"</a> ).   |       |             |     |   |     |                           |     |  |     |                |     |           |     |           |     |          |     |          |
| 1 to 0 | TxFraming   | Defines the framing used for data transmission.<br><table border="1" style="width: 100%; border-collapse: collapse;"> <thead> <tr> <th>Value</th> <th>Description</th> </tr> </thead> <tbody> <tr><td>00</td><td>ISO/IEC 14443A/MIFARE and Passive Communication mode 106 kbit</td></tr> <tr><td>01</td><td>Active Communication mode</td></tr> <tr><td>10</td><td>FeliCa and Passive communication mode 212 and 424 kbit</td></tr> <tr><td>11</td><td>ISO/IEC 14443B</td></tr> </tbody> </table>  | Value | Description | 00  | ISO/IEC 14443A/MIFARE and Passive Communication mode 106 kbit | 01  | Active Communication mode | 10  | FeliCa and Passive communication mode 212 and 424 kbit | 11  | ISO/IEC 14443B |     |           |     |           |     |          |     |          |
| Value  | Description   |  |       |             |     |   |     |                           |     |  |     |                |     |           |     |           |     |          |     |          |
| 00     | ISO/IEC 14443A/MIFARE and Passive Communication mode 106 kbit |  |       |             |     |   |     |                           |     |  |     |                |     |           |     |           |     |          |     |          |
| 01     | Active Communication mode                                     |  |       |             |     |   |     |                           |     |  |     |                |     |           |     |           |     |          |     |          |
| 10     | FeliCa and Passive communication mode 212 and 424 kbit        |  |       |             |     |   |     |                           |     |  |     |                |     |           |     |           |     |          |     |          |
| 11     | ISO/IEC 14443B  |  |       |             |     |   |     |                           |     |  |     |                |     |           |     |           |     |          |     |          |

### 8.2.2.4 RxModeReg

Defines the data rate and framing during reception.

**Table 53. RxModeReg register (address 13h); reset value: 00h, 0000000b**

|               | 7       | 6       | 5  | 4  | 3       | 2          | 1         | 0  |
|---------------|---------|---------|----|----|---------|------------|-----------|----|
|               | RxCRCEn | RxSpeed |    |    | RxNoErr | RxMultiple | RxFraming |    |
| Access Rights | r/w     | dy      | dy | dy | r/w     | r/w        | dy        | dy |

**Table 54. Description of RxModeReg bits**

| Bit    | Symbol      | Description  |       |             |     |          |     |          |     |          |     |          |     |           |     |           |     |          |     |          |
|--------|-------------|--|-------|-------------|-----|----------|-----|----------|-----|----------|-----|----------|-----|-----------|-----|-----------|-----|----------|-----|----------|
| 7      | RxCRCEn     | Set to logic 1, this bit enables the CRC calculation during reception.<br>Note: This bit shall only be set to logic 0 at 106 kbit.   |       |             |     |          |     |          |     |          |     |          |     |           |     |           |     |          |     |          |
| 6 to 4 | RxSpeed     | Defines the bit rate while data transmission.<br>The PN512's analog part handles only transfer speeds up to 424 kbit internally, the digital UART handles the higher transfer speeds as well.<br><table border="1"> <thead> <tr> <th>Value</th> <th>Description</th> </tr> </thead> <tbody> <tr> <td>000</td> <td>106 kbit</td> </tr> <tr> <td>001</td> <td>212 kbit</td> </tr> <tr> <td>010</td> <td>424 kbit</td> </tr> <tr> <td>011</td> <td>848 kbit</td> </tr> <tr> <td>100</td> <td>1696 kbit</td> </tr> <tr> <td>101</td> <td>3392 kbit</td> </tr> <tr> <td>110</td> <td>Reserved</td> </tr> <tr> <td>111</td> <td>Reserved</td> </tr> </tbody> </table><br>Note: The bit coding for transfer speeds above 424 kbit is equivalent to the bit coding of Active Communication mode 424 kbit (Ecma 340). | Value | Description | 000 | 106 kbit | 001 | 212 kbit | 010 | 424 kbit | 011 | 848 kbit | 100 | 1696 kbit | 101 | 3392 kbit | 110 | Reserved | 111 | Reserved |
| Value  | Description |  |       |             |     |          |     |          |     |          |     |          |     |           |     |           |     |          |     |          |
| 000    | 106 kbit    |  |       |             |     |          |     |          |     |          |     |          |     |           |     |           |     |          |     |          |
| 001    | 212 kbit    |  |       |             |     |          |     |          |     |          |     |          |     |           |     |           |     |          |     |          |
| 010    | 424 kbit    |  |       |             |     |          |     |          |     |          |     |          |     |           |     |           |     |          |     |          |
| 011    | 848 kbit    |  |       |             |     |          |     |          |     |          |     |          |     |           |     |           |     |          |     |          |
| 100    | 1696 kbit   |  |       |             |     |          |     |          |     |          |     |          |     |           |     |           |     |          |     |          |
| 101    | 3392 kbit   |  |       |             |     |          |     |          |     |          |     |          |     |           |     |           |     |          |     |          |
| 110    | Reserved    |  |       |             |     |          |     |          |     |          |     |          |     |           |     |           |     |          |     |          |
| 111    | Reserved    |  |       |             |     |          |     |          |     |          |     |          |     |           |     |           |     |          |     |          |
| 3      | RxNoErr     | If set to logic 1 a not valid received data stream (less than 4 bits received) will be ignored. The receiver will remain active.<br>For ISO/IEC14443B also RxSOFReq logic 1 is required to ignore a non valid datastream.  |       |             |     |          |     |          |     |          |     |          |     |           |     |           |     |          |     |          |
| 2      | RxMultiple  | Set to logic 0, the receiver is deactivated after receiving a data frame. Set to logic 1, it is possible to receive more than one data frame. Having set this bit, the receive and transceive commands will not terminate automatically. In this case the multiple receiving can only be deactivated by writing any command (except the Receive command) to the CommandReg register or by clearing the bit by the host controller.<br>At the end of a received data stream an error byte is added to the FIFO. The error byte is a copy of the ErrorReg register.<br>The behaviour for version 1.0 is described in <a href="#">Section 20 "Errata sheet" on page 109</a> .   |       |             |     |          |     |          |     |          |     |          |     |           |     |           |     |          |     |          |

**Table 54. Description of RxModeReg bits**

| Bit    | Symbol         | Description                                      |   |
|--------|----------------|--|---|
| 1 to 0 | RxFraming      | Defines the expected framing for data reception. |   |
|        |                | Value  | Description   |
|        |                | 00   | ISO/IEC 14443A/MIFARE and Passive Communication mode 106 kbit |
|        |                | 01   | Active Communication mode                                     |
|        |                | 10   | FeliCa and Passive Communication mode 212 and 424 kbit        |
| 11     | ISO/IEC 14443B |  |   |

### 8.2.2.5 TxControlReg

Controls the logical behavior of the antenna driver pins Tx1 and Tx2.

**Table 55. TxControlReg register (address 14h); reset value: 80h, 10000000b**

|               | 7              | 6              | 5               | 4               | 3     | 2       | 1           | 0           |
|---------------|----------------|----------------|-----------------|-----------------|-------|---------|-------------|-------------|
|               | InvTx2RF<br>On | InvTx1RF<br>On | InvTx2RF<br>Off | InvTx1RF<br>Off | Tx2CW | CheckRF | Tx2RF<br>En | Tx1RF<br>En |
| Access Rights | r/w            | r/w            | r/w             | r/w             | r/w   | w       | r/w         | r/w         |

**Table 56. Description of TxControlReg bits**

| Bit | Symbol      | Description   |
|-----|-------------|---|
| 7   | InvTx2RFOn  | Set to logic 1, the output signal at pin TX2 will be inverted, if driver TX2 is enabled.  |
| 6   | InvTx1RFOn  | Set to logic 1, the output signal at pin TX1 will be inverted, if driver TX1 is enabled.  |
| 5   | InvTx2RFOff | Set to logic 1, the output signal at pin TX2 will be inverted, if driver TX2 is disabled.   |
| 4   | InvTx1RFOff | Set to logic 1, the output signal at pin TX1 will be inverted, if driver TX1 is disabled.   |
| 3   | Tx2CW       | Set to logic 1, the output signal on pin TX2 will deliver continuously the un-modulated 13.56 MHz energy carrier.<br>Set to logic 0, Tx2CW is enabled to modulate the 13.56 MHz energy carrier. |
| 2   | CheckRF     | Set to logic 1, Tx2RFEn and Tx1RFEn can not be set if an external RF field is detected. Only valid when using in combination with bit Tx2RFEn or Tx1RFEn  |
| 1   | Tx2RFEn     | Set to logic 1, the output signal on pin TX2 will deliver the 13.56 MHz energy carrier modulated by the transmission data.  |
| 0   | Tx1RFEn     | Set to logic 1, the output signal on pin TX1 will deliver the 13.56 MHz energy carrier modulated by the transmission data.  |



### 8.2.2.6 TxAutoReg

Controls the settings of the antenna driver.

**Table 57. TxAutoReg register (address 15h); reset value: 00h, 0000000b**

|                  | 7             | 6               | 5              | 4   | 3    | 2               | 1               | 0               |
|------------------|---------------|-----------------|----------------|-----|------|-----------------|-----------------|-----------------|
|                  | AutoRF<br>OFF | Force100<br>ASK | Auto<br>WakeUp | 0   | CAOn | InitialRF<br>On | Tx2RFAuto<br>En | Tx1RFAuto<br>En |
| Access<br>Rights | r/w           | r/w             | r/w            | RFU | r/w  | r/w             | r/w             | r/w             |

**Table 58. Description of TxAutoReg bits**

| Bit | Symbol      | Description   |
|-----|-------------|---|
| 7   | AutoRFOFF   | Set to logic 1, all active antenna drivers are switched off after the last data bit has been transmitted as defined in the NFCIP-1.   |
| 6   | Force100ASK | Set to logic 1, Force100ASK forces a 100% ASK modulation independent of the setting in register ModGsPReg.  |
| 5   | AutoWakeUp  | Set to logic 1, the PN512 in soft Power-down mode will be started by the RF level detector.   |
| 4   | -           | Reserved for future use.  |
| 3   | CAOn        | Set to logic 1, the collision avoidance is activated and internally the value n is set in accordance to the NFCIP-1 Standard.   |
| 2   | InitialRFOn | Set to logic 1, the initial RF collision avoidance is performed and the bit InitialRFOn is cleared automatically, if the RF is switched on.<br>Note: The driver, which should be switched on, has to be enabled by bit Tx2RFAutoEn or bit Tx1RFAutoEn.  |
| 1   | Tx2RFAutoEn | Set to logic 1, the driver Tx2 is switched on after the external RF field is switched off according to the time TADT. If the bits InitialRFOn and Tx2RFAutoEn are set to logic 1, Tx2 is switched on if no external RF field is detected during the time TIDT.<br>Note: The times TADT and TIDT are defined in the NFC IP-1 standard (ISO/IEC 18092). |
| 0   | Tx1RFAutoEn | Set to logic 1, the driver Tx1 is switched on after the external RF field is switched off according to the time TADT. If the bit InitialRFOn and Tx1RFAutoEn are set to logic 1, Tx1 is switched on if no external RF field is detected during the time TIDT.<br>Note: The times TADT and TIDT are defined in the NFC IP-1 standard (ISO/IEC 18092).  |

### 8.2.2.7 TxSelReg

Selects the sources for the analog part.

**Table 59. TxSelReg register (address 16h); reset value: 10h, 00010000b**

|               | 7   | 6   | 5         | 4   | 3         | 2   | 1   | 0   |
|---------------|-----|-----|-----------|-----|-----------|-----|-----|-----|
|               | 0   | 0   | DriverSel |     | SigOutSel |     |     |     |
| Access Rights | RFU | RFU | r/w       | r/w | r/w       | r/w | r/w | r/w |

**Table 60. Description of TxSelReg bits**

| Bit    | Symbol  | Description                              |  |
|--------|---|--|--|
| 7 to 6 | -   | Reserved for future use.                 |  |
| 5 to 4 | DriverSel   | Selects the input of driver Tx1 and Tx2. |  |
|        |   | Value                                    | Description  |
|        |   | 00                                       | Tristate<br>Note: In soft power down the drivers are only in Tristate mode if DriverSel is set to Tristate mode. |
|        |   | 01                                       | Modulation signal (envelope) from the internal coder   |
|        |   | 10                                       | Modulation signal (envelope) from SIGIN  |
| 11     | HIGH<br>Note: The HIGH level depends on the setting of InvTx1RFOff/InvTx1RFOff and InvTx2RFOff/InvTx2RFOff. |  |  |

Table 60. Description of TxSelReg bits ...continued

| Bit       | Symbol   | Description   |       |             |      |          |      |     |      |      |      |   |      |  |      |                                      |      |  |      |  |           |   |           |   |
|-----------|--|---|-------|-------------|------|----------|------|-----|------|------|------|---|------|--|------|--------------------------------------|------|--|------|--|-----------|---|-----------|---|
| 3 to 0    | SigOutSel  | Selects the input for the SIGOUT Pin.   |       |             |      |          |      |     |      |      |      |   |      |  |      |                                      |      |  |      |  |           |   |           |   |
|           |  | <table border="1"> <thead> <tr> <th>Value</th> <th>Description</th> </tr> </thead> <tbody> <tr> <td>0000</td> <td>Tristate</td> </tr> <tr> <td>0001</td> <td>Low</td> </tr> <tr> <td>0010</td> <td>High</td> </tr> <tr> <td>0011</td> <td>TestBus signal as defined by bit TestBusBitSel in register TestSel1Reg.</td> </tr> <tr> <td>0100</td> <td>Modulation signal (envelope) from the internal coder</td> </tr> <tr> <td>0101</td> <td>Serial data stream to be transmitted</td> </tr> <tr> <td>0110</td> <td>Output signal of the receiver circuit (card modulation signal regenerated and delayed). This signal is used as data output signal for SAM interface connection using 3 lines.<br/>Note: To have a valid signal the PN512 has to be set to the receiving mode by either the Transceive or Receive command. The bit RxMultiple can be used to keep the PN512 in receiving mode.<br/>Note: Do not use this setting in MIFARE mode. Manchester coding as data collisions will not be transmitted on the SIGOUT line.</td> </tr> <tr> <td>0111</td> <td>Serial data stream received.<br/>Note: Do not use this setting in MIFARE mode. Miller coding parameters as the bit length can vary.</td> </tr> <tr> <td>1000-1011</td> <td>FeliCa Sam modulation<br/>1000 RX*<br/>1001 TX<br/>1010 Demodulator comparator output<br/>1011 RFU<br/>Note: * To have a valid signal the PN512 has to be set to the receiving mode by either the Transceive or Receive command. The bit RxMultiple can be used to keep the PN512 in receiving mode.</td> </tr> <tr> <td>1100-1111</td> <td>MIFARE Sam modulation<br/>1100 RX* with RF carrier<br/>1101 TX with RF carrier<br/>1110 RX with RF carrier un-filtered<br/>1111 RX envelope un-filtered<br/>Note: *To have a valid signal the PN512 has to be set to the receiving mode by either the Transceive or Receive command. The bit RxMultiple can be used to keep the PN512 in receiving mode.</td> </tr> </tbody> </table> | Value | Description | 0000 | Tristate | 0001 | Low | 0010 | High | 0011 | TestBus signal as defined by bit TestBusBitSel in register TestSel1Reg. | 0100 | Modulation signal (envelope) from the internal coder | 0101 | Serial data stream to be transmitted | 0110 | Output signal of the receiver circuit (card modulation signal regenerated and delayed). This signal is used as data output signal for SAM interface connection using 3 lines.<br>Note: To have a valid signal the PN512 has to be set to the receiving mode by either the Transceive or Receive command. The bit RxMultiple can be used to keep the PN512 in receiving mode.<br>Note: Do not use this setting in MIFARE mode. Manchester coding as data collisions will not be transmitted on the SIGOUT line. | 0111 | Serial data stream received.<br>Note: Do not use this setting in MIFARE mode. Miller coding parameters as the bit length can vary. | 1000-1011 | FeliCa Sam modulation<br>1000 RX*<br>1001 TX<br>1010 Demodulator comparator output<br>1011 RFU<br>Note: * To have a valid signal the PN512 has to be set to the receiving mode by either the Transceive or Receive command. The bit RxMultiple can be used to keep the PN512 in receiving mode. | 1100-1111 | MIFARE Sam modulation<br>1100 RX* with RF carrier<br>1101 TX with RF carrier<br>1110 RX with RF carrier un-filtered<br>1111 RX envelope un-filtered<br>Note: *To have a valid signal the PN512 has to be set to the receiving mode by either the Transceive or Receive command. The bit RxMultiple can be used to keep the PN512 in receiving mode. |
| Value     | Description  |   |       |             |      |          |      |     |      |      |      |   |      |  |      |                                      |      |  |      |  |           |   |           |   |
| 0000      | Tristate   |   |       |             |      |          |      |     |      |      |      |   |      |  |      |                                      |      |  |      |  |           |   |           |   |
| 0001      | Low  |   |       |             |      |          |      |     |      |      |      |   |      |  |      |                                      |      |  |      |  |           |   |           |   |
| 0010      | High   |   |       |             |      |          |      |     |      |      |      |   |      |  |      |                                      |      |  |      |  |           |   |           |   |
| 0011      | TestBus signal as defined by bit TestBusBitSel in register TestSel1Reg.  |   |       |             |      |          |      |     |      |      |      |   |      |  |      |                                      |      |  |      |  |           |   |           |   |
| 0100      | Modulation signal (envelope) from the internal coder   |   |       |             |      |          |      |     |      |      |      |   |      |  |      |                                      |      |  |      |  |           |   |           |   |
| 0101      | Serial data stream to be transmitted   |   |       |             |      |          |      |     |      |      |      |   |      |  |      |                                      |      |  |      |  |           |   |           |   |
| 0110      | Output signal of the receiver circuit (card modulation signal regenerated and delayed). This signal is used as data output signal for SAM interface connection using 3 lines.<br>Note: To have a valid signal the PN512 has to be set to the receiving mode by either the Transceive or Receive command. The bit RxMultiple can be used to keep the PN512 in receiving mode.<br>Note: Do not use this setting in MIFARE mode. Manchester coding as data collisions will not be transmitted on the SIGOUT line. |   |       |             |      |          |      |     |      |      |      |   |      |  |      |                                      |      |  |      |  |           |   |           |   |
| 0111      | Serial data stream received.<br>Note: Do not use this setting in MIFARE mode. Miller coding parameters as the bit length can vary.   |   |       |             |      |          |      |     |      |      |      |   |      |  |      |                                      |      |  |      |  |           |   |           |   |
| 1000-1011 | FeliCa Sam modulation<br>1000 RX*<br>1001 TX<br>1010 Demodulator comparator output<br>1011 RFU<br>Note: * To have a valid signal the PN512 has to be set to the receiving mode by either the Transceive or Receive command. The bit RxMultiple can be used to keep the PN512 in receiving mode.  |   |       |             |      |          |      |     |      |      |      |   |      |  |      |                                      |      |  |      |  |           |   |           |   |
| 1100-1111 | MIFARE Sam modulation<br>1100 RX* with RF carrier<br>1101 TX with RF carrier<br>1110 RX with RF carrier un-filtered<br>1111 RX envelope un-filtered<br>Note: *To have a valid signal the PN512 has to be set to the receiving mode by either the Transceive or Receive command. The bit RxMultiple can be used to keep the PN512 in receiving mode.  |   |       |             |      |          |      |     |      |      |      |   |      |  |      |                                      |      |  |      |  |           |   |           |   |

### 8.2.2.8 RxSelReg

Selects internal receiver settings.

**Table 61. RxSelReg register (address 17h); reset value: 84h, 10000100b**

|               | 7       | 6   | 5      | 4   | 3   | 2   | 1   | 0   |
|---------------|---------|-----|--------|-----|-----|-----|-----|-----|
|               | UartSel |     | RxWait |     |     |     |     |     |
| Access Rights | r/w     | r/w | r/w    | r/w | r/w | r/w | r/w | r/w |

**Table 62. Description of RxSelReg bits**

| Bit    | Symbol  | Description   |   |
|--------|---|---|---|
| 7 to 6 | UartSel   | Selects the input of the contactless UART   |   |
|        |   | <b>Value</b>  | <b>Description</b>                              |
|        |   | 00  | Constant Low                                    |
|        |   | 01  | Envelope signal at SIGIN                        |
|        |   | 10  | Modulation signal from the internal analog part |
| 11     | Modulation signal from SIGIN pin. Only valid for transfer speeds above 424 kbit |   |   |
| 5 to 0 | RxWait  | After data transmission, the activation of the receiver is delayed for RxWait bit-clocks. During this 'frame guard time' any signal at pin RX is ignored. This parameter is ignored by the Receive command. All other commands (e.g. Transceive, Autocoll, MFAuthent) use this parameter. Depending on the mode of the PN512, the counter starts different. In Passive Communication mode the counter starts with the last modulation pulse of the transmitted data stream. In Active Communication mode the counter starts immediately after the external RF field is switched on. |   |

### 8.2.2.9 RxThresholdReg

Selects thresholds for the bit decoder.

**Table 63. RxThresholdReg register (address 18h); reset value: 84h, 10000100b**

|               | 7        | 6   | 5   | 4   | 3   | 2         | 1   | 0   |
|---------------|----------|-----|-----|-----|-----|-----------|-----|-----|
|               | MinLevel |     |     |     | 0   | CollLevel |     |     |
| Access Rights | r/w      | r/w | r/w | r/w | RFU | r/w       | r/w | r/w |

**Table 64. Description of RxThresholdReg bits**

| Bit    | Symbol    | Description   |
|--------|-----------|---|
| 7 to 4 | MinLevel  | Defines the minimum signal strength at the decoder input that shall be accepted. If the signal strength is below this level, it is not evaluated.   |
| 3      | -         | Reserved for future use.  |
| 2 to 0 | CollLevel | Defines the minimum signal strength at the decoder input that has to be reached by the weaker half-bit of the Manchester-coded signal to generate a bit-collision relatively to the amplitude of the stronger half-bit. |

### 8.2.2.10 DemodReg

Defines demodulator settings.

**Table 65. DemodReg register (address 19h); reset value: 4Dh, 01001101b**

|                  | 7     | 6   | 5     | 4                | 3      | 2   | 1       | 0   |
|------------------|-------|-----|-------|------------------|--------|-----|---------|-----|
|                  | AddIQ |     | FixIQ | TPrescal<br>Even | TauRcv |     | TauSync |     |
| Access<br>Rights | r/w   | r/w | r/w   | r/w              | r/w    | r/w | r/w     | r/w |

**Table 66. Description of DemodReg bits**

| Bit    | Symbol   | Description  |       |             |    |                             |    |  |    |                              |    |          |
|--------|--|--|-------|-------------|----|-----------------------------|----|--|----|------------------------------|----|----------|
| 7 to 6 | AddIQ  | <p>Defines the use of I and Q channel during reception</p> <p>Note: FixIQ has to be set to logic 0 to enable the following settings.</p> <table border="1"> <thead> <tr> <th>Value</th> <th>Description</th> </tr> </thead> <tbody> <tr> <td>00</td> <td>Select the stronger channel</td> </tr> <tr> <td>01</td> <td>Select the stronger and freeze the selected during communication</td> </tr> <tr> <td>10</td> <td>combines the I and Q channel</td> </tr> <tr> <td>11</td> <td>Reserved</td> </tr> </tbody> </table> | Value | Description | 00 | Select the stronger channel | 01 | Select the stronger and freeze the selected during communication | 10 | combines the I and Q channel | 11 | Reserved |
| Value  | Description  |  |       |             |    |                             |    |  |    |                              |    |          |
| 00     | Select the stronger channel                                      |  |       |             |    |                             |    |  |    |                              |    |          |
| 01     | Select the stronger and freeze the selected during communication |  |       |             |    |                             |    |  |    |                              |    |          |
| 10     | combines the I and Q channel                                     |  |       |             |    |                             |    |  |    |                              |    |          |
| 11     | Reserved   |  |       |             |    |                             |    |  |    |                              |    |          |
| 5      | FixIQ  | <p>If set to logic 1 and the bits of AddIQ are set to X0, the reception is fixed to I channel.</p> <p>If set to logic 1 and the bits of AddIQ are set to X1, the reception is fixed to Q channel.</p> <p>NOTE: If SIGIN/SIGOUT is used as S2C interface FixIQ set to 1 and AddIQ set to X0 is rewired.</p>   |       |             |    |                             |    |  |    |                              |    |          |
| 4      | TPrescalE<br>ven   | <p>If set to logic 0 the following formula is used to calculate fTimer of the prescaler:</p> $f_{\text{Timer}} = 13.56 \text{ MHz} / (2 * \text{TPreScaler} + 1).$ <p>If set to logic 1 the following formula is used to calculate fTimer of the prescaler:</p> $f_{\text{Timer}} = 13.56 \text{ MHz} / (2 * \text{TPreScaler} + 2).$ <p>(Default TPrescalEven is logic 0)</p> <p>The behaviour for the version 1.0 is described in <a href="#">Section 20 "Errata sheet" on page 109</a>.</p>                           |       |             |    |                             |    |  |    |                              |    |          |
| 3 to 2 | TauRcv   | <p>Changes the time constant of the internal during data reception.</p> <p>Note: If set to 00, the PLL is frozen during data reception.</p>  |       |             |    |                             |    |  |    |                              |    |          |
| 1 to 0 | TauSync  | <p>Changes the time constant of the internal PLL during burst.</p>   |       |             |    |                             |    |  |    |                              |    |          |

### 8.2.2.11 FeINFC1Reg

Defines the length of the FeliCa Sync bytes and the minimum length of the received packet.

**Table 67. FeINFC1Reg register (address 1Ah); reset value: 00h, 0000000b**

|               | 7          | 6   | 5          | 4   | 3   | 2   | 1   | 0   |
|---------------|------------|-----|------------|-----|-----|-----|-----|-----|
|               | FelSyncLen |     | DataLenMin |     |     |     |     |     |
| Access Rights | r/w        | r/w | r/w        | r/w | r/w | r/w | r/w | r/w |

**Table 68. Description of FeINFC1Reg bits**

| Bit    | Symbol         | Description  |                           |
|--------|----------------|--|---------------------------|
| 7 to 6 | FelSyncLen     | Defines the length of the Sync bytes.  |                           |
|        |                | <b>Value</b>   | <b>Sync- bytes in hex</b> |
|        |                | 00   | B2 4D                     |
|        |                | 01   | 00 B2 4D                  |
|        |                | 10   | 00 00 B2 4D               |
| 11     | 00 00 00 B2 4D |  |                           |
| 5 to 0 | DataLenMin     | <p>These bits define the minimum length of the accepted packet length:<br/> <math>\text{DataLenMin} * 4 \leq \text{data packet length}</math></p> <p>This parameter is ignored at 106 kbit if the bit DetectSync in register ModeReg is set to logic 0. If a received data packet is shorter than the defined DataLenMin value, the data packet will be ignored.</p> |                           |

8.2.2.12 FeINFC2Reg

Defines the maximum length of the received packet.

Table 69. FeINFC2Reg register (address1Bh); reset value: 00h, 00000000b

|               |                 |               |            |     |     |     |     |     |
|---------------|-----------------|---------------|------------|-----|-----|-----|-----|-----|
|               | 7               | 6             | 5          | 4   | 3   | 2   | 1   | 0   |
|               | WaitForSelected | ShortTimeSlot | DataLenMax |     |     |     |     |     |
| Access Rights | r/w             | r/w           | r/w        | r/w | r/w | r/w | r/w | r/w |

Table 70. Description of FeINFC2Reg bits

| Bit    | Symbol          | Description  |
|--------|-----------------|--|
| 7      | WaitForSelected | Set to logic 1, the AutoColl command is only terminated automatically when: <ol style="list-style-type: none"> <li>1. A valid command has been received after performing a valid Select procedure according ISO/IEC 14443A.</li> <li>2. A valid command has been received after performing a valid Polling procedure according to the FeliCa specification.</li> </ol> Note: If this bit is set, no active communication is possible.<br>Note: Setting this bit reduces the host controller interaction in case of a communication to another device in the same RF field during Passive Communication mode. |
| 6      | ShortTimeSlot   | Defines the time slot length for Passive Communication mode at 424 kbit. Set to logic 1 a short time slot is used (half of the timeslot at 212 kbit). Set to logic 0 a long timeslot is used (equal to the timeslot for 212 kbit).   |
| 5 to 0 | DataLenMax      | These bits define the maximum length of the accepted packet length: $DataLenMax * 4 \geq data\ packet\ length$<br>Note: If set to logic 0 the maximum data length is 256 bytes.<br>This parameter is ignored at 106 kbit if the bit DetectSync in register ModeReg is set to logic 0. If a received packet is larger than the defined DataLenMax value, the packet will be ignored.  |

8.2.2.13 MifNFCReg

Defines ISO/IEC 14443A/MIFARE/NFC specific settings in target or Card Operating mode.

Table 71. MifNFCReg register (address 1Ch); reset value: 62h, 01100010b

|               |            |     |     |           |     |          |        |     |
|---------------|------------|-----|-----|-----------|-----|----------|--------|-----|
|               | 7          | 6   | 5   | 4         | 3   | 2        | 1      | 0   |
|               | SensMiller |     |     | TauMiller |     | MFHalted | TxWait |     |
| Access Rights | r/w        | r/w | r/w | r/w       | r/w | r/w      | r/w    | r/w |

Table 72. Description of MifNFCReg bits

| Bit    | Symbol     | Description  |
|--------|------------|--|
| 7 to 5 | SensMiller | These bits define the sensitivity of the Miller decoder.   |
| 4 to 3 | TauMiller  | These bits define the time constant of the Miller decoder.   |
| 2      | MFHalted   | Set to logic 1, this bit indicates that the PN512 is set to HALT mode in Card Operation mode at 106 kbit. This bit is either set by the host controller or by the internal state machine and indicates that only the code 52h is accepted as a request command. This bit is cleared automatically by a RF reset.   |
| 1 to 0 | TxWait     | <p>These bits define the minimum response time between receive and transmit in number of data bits + 7 data bits.</p> <p>The shortest possible minimum response time is 7 data bits. (TxWait=0). The minimum response time can be increased by the number of bits defined in TxWait. The longest minimum response time is 10 data bits (TxWait = 3).</p> <p>If a transmission of a frame is started before the minimum response time is over, the PN512 waits before transmitting the data until the minimum response time is over.</p> <p>If a transmission of a frame is started after the minimum response time is over, the frame is started immediately if the data bit synchronization is correct. (adjustable with TxBitPhase).</p> |



### 8.2.2.14 ManualRCVReg

Allows manual fine tuning of the internal receiver.

**Remark:** For standard applications it is not recommended to change this register settings.

**Table 73. ManualRCVReg register (address 1Dh); reset value: 00h, 00000000b**

|                  | 7   | 6                 | 5              | 4                 | 3              | 2              | 1    | 0   |
|------------------|-----|-------------------|----------------|-------------------|----------------|----------------|------|-----|
|                  | 0   | FastFilt<br>MF_SO | Delay<br>MF_SO | Parity<br>Disable | LargeBW<br>PLL | Manual<br>HPCF | HPFC |     |
| Access<br>Rights | RFU | r/w               | r/w            | r/w               | r/w            | r/w            | r/w  | r/w |

**Table 74. Description of ManualRCVReg bits**

| Bit    | Symbol            | Description  |
|--------|-------------------|--|
| 7      | -                 | Reserved for future use.   |
| 6      | FastFilt<br>MF_SO | If this bit is set to logic 1, the internal filter for the Miller-Delay Circuit is set to Fast mode.<br><br>Note: This bit should only set to logic 1, if Millerpulses of less than 400 ns Pulse length are expected. At 106 kBaud the typical value is 3 us.  |
| 5      | Delay MF_SO       | If this bit is set to logic 1, the Signal at SIGOUT-pin is delayed, so that in SAM mode the Signal at SIGIN must be 128/fc faster compared to the ISO/IEC 14443A, to reach the ISO/IEC 14443A restrictions on the RF-Field.<br><br>Note: This delay shall only be activated for setting bits SigOutSel to (1110b) or (1111b) in register TxSelReg. |
| 4      | Parity Disable    | If this bit is set to logic 1, the generation of the Parity bit for transmission and the Parity-Check for receiving is switched off. The received Parity bit is handled like a data bit.   |
| 3      | LargeBWPLL        | Set to logic 1, the bandwidth of the internal PLL used for clock recovery is extended.   |
| 2      | ManualHPCF        | Set to logic 0, the HPCF bits are ignored and the HPCF settings are adapted automatically to the receiving mode. Set to logic 1, values of HPCF are valid.   |
| 1 to 0 | HPFC              | Selects the High Pass Corner Frequency (HPCF) of the filter in the internal receiver chain<br><br>00 For signals with frequency spectrum down to 106 kHz.<br>01 For signals with frequency spectrum down to 212 kHz.<br>10 For signals with frequency spectrum down to 424 kHz.<br>11 For signals with frequency spectrum down to 848 kHz          |

## 8.2.2.15 TypeBReg

Table 75. TypeBReg register (address 1Eh); reset value: 00h, 0000000b

|                  | 7            | 6            | 5   | 4               | 3       | 2       | 1     | 0   |
|------------------|--------------|--------------|-----|-----------------|---------|---------|-------|-----|
|                  | RxSOF<br>Req | RxEOF<br>Req | 0   | EOFSOF<br>Width | NoTxSOF | NoTxEOF | TxEGT |     |
| Access<br>Rights | r/w          | r/w          | RFU | r/w             | r/w     | r/w     | r/w   | r/w |

Table 76. Description of TypeBReg bits

| Bit    | Symbol      | Description   |
|--------|-------------|---|
| 7      | RxSOFReq    | If this bit is set to logic 1, the SOF is required. A datastream starting without SOF is ignored.<br>If this bit is cleared, a datastream with and without SOF is accepted. The SOF will be removed and not written into the FIFO.  |
| 6      | RxEOFReq    | If this bit is set to logic 1, the EOF is required. A datastream ending without EOF will generate a Protocol-Error. If this bit is cleared, a datastream with and without EOF is accepted. The EOF will be removed and not written into the FIFO.<br>For the behaviour in version 1.0, see <a href="#">Section 20 "Errata sheet" on page 109</a> .  |
| 5      | -           | Reserved for future use.  |
| 4      | EOFSOFWidth | If this bit is set to logic 1 and EOFSOFAdjust bit is logic 0, the SOF and EOF will have the maximum length defined in ISO/IEC 14443B.<br>If this bit is cleared and EOFSOFAdjust bit is logic 0, the SOF and EOF will have the minimum length defined in ISO/IEC 14443B.<br>If this bit is set to 1 and the EOFSOFAdjust bit is logic 1 will result in<br>SOF low = (11etu – 8 cycles)/fc<br>SOF high = (2 etu + 8 cycles)/fc<br>EOF low = (11 etu – 8 cycles)/fc<br>If this bit is set to 0 and the EOFSOFAdjust bit is logic 1 will result in an incorrect system behavior in respect to ISO specification.<br>For the behaviour in version 1.0, see <a href="#">Section 20 "Errata sheet" on page 109</a> . |
| 3      | NoTxSOF     | If this bit is set to logic 1, the generation of the SOF is suppressed.   |
| 2      | NoTxEOF     | If this bit is set to logic 1, the generation of the EOF is suppressed.   |
| 1 to 0 | TxEgt       | These bits define the length of the EGT.<br>Value Description<br>00 0 bit<br>01 1 bit<br>10 2 bits<br>11 3 bits   |

## 8.2.2.16 SerialSpeedReg

Selects the speed of the serial UART interface.

**Table 77. SerialSpeedReg register (address 1Fh); reset value: EBh, 11101011b**

|               | 7     | 6   | 5   | 4     | 3   | 2   | 1   | 0   |
|---------------|-------|-----|-----|-------|-----|-----|-----|-----|
|               | BR_T0 |     |     | BR_T1 |     |     |     |     |
| Access Rights | r/w   | r/w | r/w | r/w   | r/w | r/w | r/w | r/w |

**Table 78. Description of SerialSpeedReg bits**

| Bit    | Symbol | Description  |
|--------|--------|--|
| 7 to 5 | BR_T0  | Factor BR_T0 to adjust the transfer speed, for description see <a href="#">Section 9.3.2 "Selectable UART transfer speeds"</a> . |
| 3 to 0 | BR_T1  | Factor BR_T1 to adjust the transfer speed, for description see <a href="#">Section 9.3.2 "Selectable UART transfer speeds"</a> . |

### 8.2.3 Page 2: Configuration

#### 8.2.3.1 PageReg

Selects the register page.

**Table 79. PageReg register (address 20h); reset value: 00h, 00000000b**

|               |               |          |          |          |          |          |            |          |
|---------------|---------------|----------|----------|----------|----------|----------|------------|----------|
|               | <b>7</b>      | <b>6</b> | <b>5</b> | <b>4</b> | <b>3</b> | <b>2</b> | <b>1</b>   | <b>0</b> |
|               | UsePageSelect | 0        | 0        | 0        | 0        | 0        | PageSelect |          |
| Access Rights | r/w           | RFU      | RFU      | RFU      | RFU      | RFU      | r/w        | r/w      |

**Table 80. Description of PageReg bits**

| Bit    | Symbol        | Description   |
|--------|---------------|---|
| 7      | UsePageSelect | Set to logic 1, the value of PageSelect is used as register address A5 and A4. The LSB-bits of the register address are defined by the address pins or the internal address latch, respectively.<br>Set to logic 0, the whole content of the internal address latch defines the register address. The address pins are used as described in <a href="#">Section 9.1 “Automatic microcontroller interface detection”</a> . |
| 6 to 2 | -             | Reserved for future use.  |
| 1 to 0 | PageSelect    | The value of PageSelect is used only if UsePageSelect is set to logic 1. In this case, it specifies the register page (which is A5 and A4 of the register address).   |

#### 8.2.3.2 CRCResultReg

Shows the actual MSB and LSB values of the CRC calculation.

Note: The CRC is split into two 8-bit register.

Note: Setting the bit MSBFirst in ModeReg register reverses the bit order, the byte order is not changed.

**Table 81. CRCResultReg register (address 21h); reset value: FFh, 11111111b**

|               |              |          |          |          |          |          |          |          |
|---------------|--------------|----------|----------|----------|----------|----------|----------|----------|
|               | <b>7</b>     | <b>6</b> | <b>5</b> | <b>4</b> | <b>3</b> | <b>2</b> | <b>1</b> | <b>0</b> |
|               | CRCResultMSB |          |          |          |          |          |          |          |
| Access Rights | r            | r        | r        | r        | r        | r        | r        | r        |

**Table 82. Description of CRCResultReg bits**

| Bit    | Symbol       | Description  |
|--------|--------------|--|
| 7 to 0 | CRCResultMSB | This register shows the actual value of the most significant byte of the CRCResultReg register. It is valid only if bit CRCReady in register Status1Reg is set to logic 1. |

**Table 83. CRCResultReg register (address 22h); reset value: FFh, 11111111b**

|               |              |          |          |          |          |          |          |          |
|---------------|--------------|----------|----------|----------|----------|----------|----------|----------|
|               | <b>7</b>     | <b>6</b> | <b>5</b> | <b>4</b> | <b>3</b> | <b>2</b> | <b>1</b> | <b>0</b> |
|               | CRCResultLSB |          |          |          |          |          |          |          |
| Access Rights | r            | r        | r        | r        | r        | r        | r        | r        |

**Table 84. Description of CRCResultReg bits**

| Bit    | Symbol       | Description  |
|--------|--------------|--|
| 7 to 0 | CRCResultLSB | This register shows the actual value of the least significant byte of the CRCResult register. It is valid only if bit CRCReady in register Status1Reg is set to logic 1. |

**8.2.3.3 GsNOffReg**

Selects the conductance for the N-driver of the antenna driver pins TX1 and TX2 when the driver is switched off.

**Table 85. GsNOffReg register (address 23h); reset value: 88h, 10001000b**

|               | 7        | 6   | 5   | 4   | 3         | 2   | 1   | 0   |
|---------------|----------|-----|-----|-----|-----------|-----|-----|-----|
|               | CWGsNOff |     |     |     | ModGsNOff |     |     |     |
| Access Rights | r/w      | r/w | r/w | r/w | r/w       | r/w | r/w | r/w |

**Table 86. Description of GsNOffReg bits**

| Bit    | Symbol    | Description  |
|--------|-----------|--|
| 7 to 4 | CWGsNOff  | The value of this register defines the conductance of the output N-driver during times of no modulation.<br>Note: The conductance value is binary weighted.<br>Note: During soft Power-down mode the highest bit is forced to 1.<br>Note: The value of the register is only used if the driver is switched off. Otherwise the bit value CWGsNOff of register GsNOffReg is used.<br>Note: This value is used for LoadModulation.  |
| 3 to 0 | ModGsNOff | The value of this register defines the conductance of the output N-driver for the time of modulation. This may be used to regulate the modulation index.<br>Note: The conductance value is binary weighted.<br>Note: During soft Power-down mode the highest bit is forced to 1.<br>Note: The value of the register is only used if the driver is switched off. Otherwise the bit value ModGsNOff of register GsNOffReg is used.<br>Note: This value is used for LoadModulation. |

8.2.3.4 ModWidthReg

Controls the modulation width settings.

Table 87. ModWidthReg register (address 24h); reset value: 26h, 00100110b

|               |          |     |     |     |     |     |     |     |
|---------------|----------|-----|-----|-----|-----|-----|-----|-----|
|               | 7        | 6   | 5   | 4   | 3   | 2   | 1   | 0   |
|               | ModWidth |     |     |     |     |     |     |     |
| Access Rights | r/w      | r/w | r/w | r/w | r/w | r/w | r/w | r/w |

Table 88. Description of ModWidthReg bits

| Bit    | Symbol   | Description   |
|--------|----------|---|
| 7 to 0 | ModWidth | <p>These bits define the width of the Miller modulation as initiator in Active and Passive Communication mode as multiples of the carrier frequency (ModWidth + 1/fc). The maximum value is half the bit period.</p> <p>Acting as a target in Passive Communication mode at 106 kbit or in Card Operating mode for ISO/IEC 14443A/MIFARE these bits are used to change the duty cycle of the subcarrier frequency.</p> <p>The resulting number of carrier periods are calculated according to the following formulas:</p> <p>LOW value: #clocksLOW = (ModWidth modulo 8) + 1.<br/>                     HIGH value: #clocksHIGH = 16-#clocksLOW.</p> |

8.2.3.5 TxBitPhaseReg

Adjust the bitphase at 106 kbit during transmission.

Table 89. TxBitPhaseReg register (address 25h); reset value: 87h, 10000111b

|               |              |            |     |     |     |     |     |     |
|---------------|--------------|------------|-----|-----|-----|-----|-----|-----|
|               | 7            | 6          | 5   | 4   | 3   | 2   | 1   | 0   |
|               | RcvClkChange | TxBitPhase |     |     |     |     |     |     |
| Access Rights | r/w          | r/w        | r/w | r/w | r/w | r/w | r/w | r/w |

Table 90. Description of TxBitPhaseReg bits

| Bit    | Symbol       | Description  |
|--------|--------------|--|
| 7      | RcvClkChange | Set to logic 1, the demodulator's clock is derived by the external RF field.   |
| 6 to 0 | TxBitPhase   | These bits are representing the number of carrier frequency clock cycles, which are added to the waiting period before transmitting data in all communication modes. TxBitPhase is used to adjust the TX bit synchronization during passive NFCIP-1 communication mode at 106 kbit and in ISO/IEC 14443A/MIFARE card mode. |

### 8.2.3.6 RFCfgReg

Configures the receiver gain and RF level detector sensitivity.

**Table 91. RFCfgReg register (address 26h); reset value: 48h, 01001000b**

|               | 7          | 6      | 5   | 4   | 3       | 2   | 1   | 0   |
|---------------|------------|--------|-----|-----|---------|-----|-----|-----|
|               | RFLevelAmp | RxGain |     |     | RFLevel |     |     |     |
| Access Rights | r/w        | r/w    | r/w | r/w | r/w     | r/w | r/w | r/w |

**Table 92. Description of RFCfgReg bits**

| Bit    | Symbol      | Description  |       |             |     |       |     |       |     |       |     |       |     |       |     |       |     |       |     |       |
|--------|-------------|--|-------|-------------|-----|-------|-----|-------|-----|-------|-----|-------|-----|-------|-----|-------|-----|-------|-----|-------|
| 7      | RFLevelAmp  | Set to logic 1, this bit activates the RF level detectors' amplifier.  |       |             |     |       |     |       |     |       |     |       |     |       |     |       |     |       |     |       |
| 6 to 4 | RxGain      | This register defines the receivers signal voltage gain factor: <table border="1" data-bbox="699 734 1460 1095"> <thead> <tr> <th>Value</th> <th>Description</th> </tr> </thead> <tbody> <tr> <td>000</td> <td>18 dB</td> </tr> <tr> <td>001</td> <td>23 dB</td> </tr> <tr> <td>010</td> <td>18 dB</td> </tr> <tr> <td>011</td> <td>23 dB</td> </tr> <tr> <td>100</td> <td>33 dB</td> </tr> <tr> <td>101</td> <td>38 dB</td> </tr> <tr> <td>110</td> <td>43 dB</td> </tr> <tr> <td>111</td> <td>48 dB</td> </tr> </tbody> </table> | Value | Description | 000 | 18 dB | 001 | 23 dB | 010 | 18 dB | 011 | 23 dB | 100 | 33 dB | 101 | 38 dB | 110 | 43 dB | 111 | 48 dB |
| Value  | Description |  |       |             |     |       |     |       |     |       |     |       |     |       |     |       |     |       |     |       |
| 000    | 18 dB       |  |       |             |     |       |     |       |     |       |     |       |     |       |     |       |     |       |     |       |
| 001    | 23 dB       |  |       |             |     |       |     |       |     |       |     |       |     |       |     |       |     |       |     |       |
| 010    | 18 dB       |  |       |             |     |       |     |       |     |       |     |       |     |       |     |       |     |       |     |       |
| 011    | 23 dB       |  |       |             |     |       |     |       |     |       |     |       |     |       |     |       |     |       |     |       |
| 100    | 33 dB       |  |       |             |     |       |     |       |     |       |     |       |     |       |     |       |     |       |     |       |
| 101    | 38 dB       |  |       |             |     |       |     |       |     |       |     |       |     |       |     |       |     |       |     |       |
| 110    | 43 dB       |  |       |             |     |       |     |       |     |       |     |       |     |       |     |       |     |       |     |       |
| 111    | 48 dB       |  |       |             |     |       |     |       |     |       |     |       |     |       |     |       |     |       |     |       |
| 3 to 0 | RFLevel     | Defines the sensitivity of the RF level detector, for description see <a href="#">Section 11.3 "RF level detector"</a> .   |       |             |     |       |     |       |     |       |     |       |     |       |     |       |     |       |     |       |

8.2.3.7 GsNOnReg

Selects the conductance for the N-driver of the antenna driver pins TX1 and TX2 when the driver is switched on.

Table 93. GsNOnReg register (address 27h); reset value: 88h, 10001000b

|               |         |     |     |     |          |     |     |     |
|---------------|---------|-----|-----|-----|----------|-----|-----|-----|
|               | 7       | 6   | 5   | 4   | 3        | 2   | 1   | 0   |
|               | CWGsNOn |     |     |     | ModGsNOn |     |     |     |
| Access Rights | r/w     | r/w | r/w | r/w | r/w      | r/w | r/w | r/w |

Table 94. Description of GsNOnReg bits

| Bit    | Symbol   | Description  |
|--------|----------|--|
| 7 to 4 | CWGsNOn  | The value of this register defines the conductance of the output N-driver during times of no modulation. This may be used to regulate the output power and subsequently current consumption and operating distance.<br>Note: The conductance value is binary weighted.<br>Note: During soft Power-down mode the highest bit is forced to 1.<br>Note: This value is only used if the driver TX1 or TX2 are switched on. Otherwise the value of the bits CWGsNOff of register GsNOffReg is used. |
| 3 to 0 | ModGsNOn | The value of this register defines the conductance of the output N-driver for the time of modulation. This may be used to regulate the modulation index.<br>Note: The conductance value is binary weighted.<br>Note: During soft Power-down mode the highest bit is forced to 1.<br>Note: This value is only used if the driver TX1 or Tx2 are switched on. Otherwise the value of the bits ModsNOff of register GsNOffReg is used.  |

8.2.3.8 CWGsPReg

Defines the conductance of the P-driver during times of no modulation

Table 95. CWGsPReg register (address 28h); reset value: 20h, 00100000b

|               |     |     |       |     |     |     |     |     |
|---------------|-----|-----|-------|-----|-----|-----|-----|-----|
|               | 7   | 6   | 5     | 4   | 3   | 2   | 1   | 0   |
|               | 0   | 0   | CWGsP |     |     |     |     |     |
| Access Rights | RFU | RFU | r/w   | r/w | r/w | r/w | r/w | r/w |

Table 96. Description of CWGsPReg bits

| Bit    | Symbol | Description   |
|--------|--------|---|
| 7 to 6 | -      | Reserved for future use.  |
| 5 to 0 | CWGsP  | The value of this register defines the conductance of the output P-driver. This may be used to regulate the output power and subsequently current consumption and operating distance.<br>Note: The conductance value is binary weighted.<br>Note: During soft Power-down mode the highest bit is forced to 1. |



8.2.3.9 ModGsPReg

Defines the driver P-output conductance during modulation.

Table 97. ModGsPReg register (address 29h); reset value: 20h, 00100000b

|               |     |     |        |     |     |     |     |     |
|---------------|-----|-----|--------|-----|-----|-----|-----|-----|
|               | 7   | 6   | 5      | 4   | 3   | 2   | 1   | 0   |
|               | 0   | 0   | ModGsP |     |     |     |     |     |
| Access Rights | RFU | RFU | r/w    | r/w | r/w | r/w | r/w | r/w |

Table 98. Description of ModGsPReg bits

| Bit    | Symbol                | Description  |
|--------|-----------------------|--|
| 7 to 6 | -                     | Reserved for future use.   |
| 5 to 0 | ModGsP <sup>[1]</sup> | The value of this register defines the conductance of the output P-driver for the time of modulation. This may be used to regulate the modulation index.<br>Note: The conductance value is binary weighted.<br>Note: During soft Power-down mode the highest bit is forced to 1. |

[1] If Force100ASK is set to logic 1, the value of ModGsP has no effect.

8.2.3.10 TMode Register, TPrescaler Register

Defines settings for the timer.

Note: The Prescaler value is split into two 8-bit registers

Table 99. TModeReg register (address 2Ah); reset value: 00h, 00000000b

|               |       |        |              |               |     |     |     |     |
|---------------|-------|--------|--------------|---------------|-----|-----|-----|-----|
|               | 7     | 6      | 5            | 4             | 3   | 2   | 1   | 0   |
|               | TAuto | TGated | TAutoRestart | TPrescaler_Hi |     |     |     |     |
| Access Rights | r/w   | r/w    | r/w          | r/w           | r/w | r/w | r/w | r/w |

Table 100. Description of TModeReg bits

| Bit | Symbol | Description  |
|-----|--------|--|
| 7   | TAuto  | Set to logic 1, the timer starts automatically at the end of the transmission in all communication modes at all speeds or when bit InitialRFOn is set to logic 1 and the RF field is switched on.<br>In mode MIFARE and ISO14443-B 106kbit/s the timer stops after the 5th bit (1 startbit, 4 databits) if the bit RxMultiple in the register RxModeReg is not set. In all other modes, the timer stops after the 4th bit if the bit RxMultiple the register RxModeReg is not set.<br>If RxMultiple is set to logic 1, the timer never stops. In this case the timer can be stopped by setting the bit TStopNow in register ControlReg to 1. Set to logic 0 indicates, that the timer is not influenced by the protocol. |

**Table 100. Description of TModeReg bits ...continued**

| Bit    | Symbol        | Description   |
|--------|---------------|---|
| 6 to 5 | TGated        | The internal timer is running in gated mode.<br>Note: In the gated mode, the bit TRunning is 1 when the timer is enabled by the register bits. This bit does not influence the gating signal.   |
|        |               | <b>Value</b>  |
|        |               | <b>Description</b>  |
|        |               | 00  |
|        |               | 01  |
|        |               | Non gated mode  |
|        |               | Gated by SIGIN  |
|        |               | Gated by AUX1   |
|        |               | Gated by A3   |
| 4      | TAutoRestart  | Set to logic 1, the timer automatically restart its count-down from TReloadValue, instead of counting down to zero.<br>Set to logic 0 the timer decrements to ZERO and the bit TimerIRq is set to logic 1.  |
| 3 to 0 | TPrescaler_Hi | Defines higher 4 bits for TPrescaler.<br>The following formula is used to calculate $f_{Timer}$ if TPrescalEven bit in Demot Reg is set to logic 0:<br>$f_{Timer} = 13.56 \text{ MHz} / (2 * TPreScaler + 1).$ Where TPreScaler = [TPrescaler_Hi:TPrescaler_Lo] (TPrescaler value on 12 bits) (Default TPrescalEven is logic 0)<br>The following formula is used to calculate $f_{Timer}$ if TPrescalEven bit in Demot Reg is set to logic 1:<br>$f_{Timer} = 13.56 \text{ MHz} / (2 * TPreScaler + 2).$ For detailed description see <a href="#">Section 14 "Timer unit"</a> . For the behaviour within version 1.0, see <a href="#">Section 20 "Errata sheet" on page 109</a> . |

**Table 101. TPrescalerReg register (address 2Bh); reset value: 00h, 0000000b**

|               | 7             | 6   | 5   | 4   | 3   | 2   | 1   | 0   |
|---------------|---------------|-----|-----|-----|-----|-----|-----|-----|
|               | TPrescaler_Lo |     |     |     |     |     |     |     |
| Access Rights | r/w           | r/w | r/w | r/w | r/w | r/w | r/w | r/w |

**Table 102. Description of TPrescalerReg bits**

| Bit    | Symbol        | Description  |
|--------|---------------|--|
| 7 to 0 | TPrescaler_Lo | Defines lower 8 bits for TPrescaler.<br>The following formula is used to calculate $f_{Timer}$ if TPrescalEven bit in Demot Reg is set to logic 0:<br>$f_{Timer} = 13.56 \text{ MHz} / (2 * TPreScaler + 1).$ Where TPreScaler = [TPrescaler_Hi:TPrescaler_Lo] (TPrescaler value on 12 bits)<br>The following formula is used to calculate $f_{Timer}$ if TPrescalEven bit in Demot Reg is set to logic 1:<br>$f_{Timer} = 13.56 \text{ MHz} / (2 * TPreScaler + 2).$ Where TPreScaler = [TPrescaler_Hi:TPrescaler_Lo] (TPrescaler value on 12 bits)<br>For detailed description see <a href="#">Section 14 "Timer unit"</a> . |

### 8.2.3.11 TReloadReg

Describes the 16-bit long timer reload value.

Note: The Reload value is split into two 8-bit registers.

**Table 103. TReloadReg (Higher bits) register (address 2Ch); reset value: 00h, 00000000b**

|               | 7             | 6   | 5   | 4   | 3   | 2   | 1   | 0   |
|---------------|---------------|-----|-----|-----|-----|-----|-----|-----|
|               | TReloadVal_Hi |     |     |     |     |     |     |     |
| Access Rights | r/w           | r/w | r/w | r/w | r/w | r/w | r/w | r/w |

**Table 104. Description of the higher TReloadReg bits**

| Bit    | Symbol        | Description  |
|--------|---------------|--|
| 7 to 0 | TReloadVal_Hi | Defines the higher 8 bits for the TReloadReg.<br>With a start event the timer loads the TReloadVal. Changing this register affects the timer only at the next start event. |

**Table 105. TReloadReg (Lower bits) register (address 2Dh); reset value: 00h, 00000000b**

|               | 7             | 6   | 5   | 4   | 3   | 2   | 1   | 0   |
|---------------|---------------|-----|-----|-----|-----|-----|-----|-----|
|               | TReloadVal_Lo |     |     |     |     |     |     |     |
| Access Rights | r/w           | r/w | r/w | r/w | r/w | r/w | r/w | r/w |

**Table 106. Description of lower TReloadReg bits**

| Bit    | Symbol        | Description   |
|--------|---------------|---|
| 7 to 0 | TReloadVal_Lo | Defines the lower 8 bits for the TReloadReg.<br>With a start event the timer loads the TReloadVal. Changing this register affects the timer only at the next start event. |

### 8.2.3.12 TCounterValReg

Contains the current value of the timer.

Note: The Counter value is split into two 8-bit register.

**Table 107. TCounterValReg (Higher bits) register (address 2Eh); reset value: XXh, XXXXXXXXb**

|               | 7              | 6 | 5 | 4 | 3 | 2 | 1 | 0 |
|---------------|----------------|---|---|---|---|---|---|---|
|               | TCounterVal_Hi |   |   |   |   |   |   |   |
| Access Rights | r              | r | r | r | r | r | r | r |

**Table 108. Description of the higher TCounterValReg bits**

| Bit    | Symbol         | Description                                |
|--------|----------------|--|
| 7 to 0 | TCounterVal_Hi | Current value of the timer, higher 8 bits. |

**Table 109. TCounterValReg (Lower bits) register (address 2Fh); reset value: XXh, XXXXXXXXb**

|               | 7              | 6 | 5 | 4 | 3 | 2 | 1 | 0 |
|---------------|----------------|---|---|---|---|---|---|---|
|               | TCounterVal_Lo |   |   |   |   |   |   |   |
| Access Rights | r              | r | r | r | r | r | r | r |

**Table 110. Description of lower TCounterValReg bits**

| Bit    | Symbol         | Description                               |
|--------|----------------|---|
| 7 to 0 | TCounterVal_Lo | Current value of the timer, lower 8 bits. |

## 8.2.4 Page 3: Test

### 8.2.4.1 PageReg

Selects the register page.

**Table 111. PageReg register (address 30h); reset value: 00h, 00000000b**

|               | 7             | 6   | 5   | 4   | 3   | 2   | 1          | 0   |
|---------------|---------------|-----|-----|-----|-----|-----|------------|-----|
|               | UsePageSelect | 0   | 0   | 0   | 0   | 0   | PageSelect |     |
| Access Rights | r/w           | RFU | RFU | RFU | RFU | RFU | r/w        | r/w |

Table 112. Description of PageReg bits

| Bit    | Symbol        | Description   |
|--------|---------------|---|
| 7      | UsePageSelect | Set to logic 1, the value of PageSelect is used as register address A5 and A4. The LSB-bits of the register address are defined by the address pins or the internal address latch, respectively.<br>Set to logic 0, the whole content of the internal address latch defines the register address. The address pins are used as described in <a href="#">Section 9.1 "Automatic microcontroller interface detection"</a> . |
| 6 to 2 | -             | Reserved for future use.  |
| 1 to 0 | PageSelect    | The value of PageSelect is used only if UsePageSelect is set to logic 1. In this case, it specifies the register page (which is A5 and A4 of the register address).   |

### 8.2.4.2 TestSel1Reg

General test signal configuration.

**Table 113. TestSel1Reg register (address 31h); reset value: 00h, 00000000b**

|               | 7   | 6   | 5           | 4   | 3        | 2            | 1   | 0   |
|---------------|-----|-----|-------------|-----|----------|--------------|-----|-----|
|               | -   | -   | SAMClockSel |     | SAMCIkD1 | TstBusBitSel |     |     |
| Access Rights | r/w | r/w | r/w         | r/w | r/w      | r/w          | r/w | r/w |

**Table 114. Description of TestSel1Reg bits**

| Bit    | Symbol       | Description  |  |
|--------|--------------|--|--|
| 7 to 6 | -            | Reserved for future use.   |  |
| 5 to 4 | SAMClockSel  | Defines the source for the 13.56 MHz SAM clock   |  |
|        |              | <b>Value</b>   | <b>Description</b>                       |
|        |              | 00   | GND- Sam Clock switched off              |
|        |              | 01   | clock derived by the internal oscillator |
|        |              | 10   | internal UART clock                      |
|        |              | 11   | clock derived by the RF field            |
| 3      | SAMCIkD1     | Set to logic 1, the SAM clock is delivered to D1.<br>Note: Only possible if the 8bit parallel interface is not used. |  |
| 2 to 0 | TstBusBitSel | Select the TestBus bit from the testbus to be propagated to SIGOUT.  |  |

### 8.2.4.3 TestSel2Reg

General test signal configuration and PRBS control

**Table 115. TestSel2Reg register (address 32h); reset value: 00h, 00000000b**

|               | 7          | 6     | 5      | 4          | 3   | 2   | 1   | 0   |
|---------------|------------|-------|--------|------------|-----|-----|-----|-----|
|               | TstBusFlip | PRBS9 | PRBS15 | TestBusSel |     |     |     |     |
| Access Rights | r/w        | r/w   | r/w    | r/w        | r/w | r/w | r/w | r/w |

**Table 116. Description of TestSel2Reg bits**

| Bit    | Symbol     | Description  |
|--------|------------|--|
| 7      | TstBusFlip | If set to logic 1, the testbus is mapped to the parallel port by the following order:<br>D4, D3, D2, D6, D5, D0, D1. See <a href="#">Section 19 "Testsignals"</a> .  |
| 6      | PRBS9      | Starts and enables the PRBS9 sequence according ITU-TO150.<br>Note: All relevant registers to transmit data have to be configured before entering PRBS9 mode.<br>Note: The data transmission of the defined sequence is started by the send command.   |
| 5      | PRBS15     | Starts and enables the PRBS15 sequence according ITU-TO150.<br>Note: All relevant registers to transmit data have to be configured before entering PRBS15 mode.<br>Note: The data transmission of the defined sequence is started by the send command. |
| 4 to 0 | TestBusSel | Selects the testbus. See <a href="#">Section 19 "Testsignals"</a>  |

8.2.4.4 TestPinEnReg

Enables the pin output driver on the 8-bit parallel bus.

Table 117. TestPinEnReg register (address 33h); reset value: 80h, 10000000b

|               |             |           |     |     |     |     |     |     |
|---------------|-------------|-----------|-----|-----|-----|-----|-----|-----|
|               | 7           | 6         | 5   | 4   | 3   | 2   | 1   | 0   |
|               | RS232LineEn | TestPinEn |     |     |     |     |     |     |
| Access Rights | r/w         | r/w       | r/w | r/w | r/w | r/w | r/w | r/w |

Table 118. Description of TestPinEnReg bits

| Bit    | Symbol      | Description  |
|--------|-------------|--|
| 7      | RS232LineEn | Set to logic 0, the lines MX and DTRQ for the serial UART are disabled.  |
| 6 to 0 | TestPinEn   | Enables the pin output driver on the 8-bit parallel interface.<br><b>Example:</b><br>Setting bit 0 to 1 enables D0<br>Setting bit 5 to 1 enables D5<br><b>Note:</b> Only valid if one of serial interfaces is used.<br>If the SPI interface is used only D0 to D4 can be used. If the serial UART interface is used and RS232LineEn is set to logic 1 only D0 to D4 can be used. |

8.2.4.5 TestPinValueReg

Defines the values for the 7-bit parallel port when it is used as I/O.

Table 119. TestPinValueReg register (address 34h); reset value: 00h, 00000000b

|               |       |              |     |     |     |     |     |     |
|---------------|-------|--------------|-----|-----|-----|-----|-----|-----|
|               | 7     | 6            | 5   | 4   | 3   | 2   | 1   | 0   |
|               | UseIO | TestPinValue |     |     |     |     |     |     |
| Access Rights | r/w   | r/w          | r/w | r/w | r/w | r/w | r/w | r/w |

Table 120. Description of TestPinValueReg bits

| Bit    | Symbol       | Description   |
|--------|--------------|---|
| 7      | UseIO        | Set to logic 1, this bit enables the I/O functionality for the 7-bit parallel port in case one of the serial interfaces is used. The input/output behavior is defined by TestPinEn in register TestPinEnReg. The value for the output behavior is defined in the bits TestPinVal.<br><b>Note:</b> If SAMClkD1 is set to logic 1, D1 can not be used as I/O. |
| 6 to 0 | TestPinValue | Defines the value of the 7-bit parallel port, when it is used as I/O. Each output has to be enabled by the TestPinEn bits in register TestPinEnReg.<br><b>Note:</b> Reading the register indicates the actual status of the pins D6 - D0 if UseIO is set to logic 1. If UseIO is set to logic 0, the value of the register TestPinValueReg is read back.    |

8.2.4.6 TestBusReg

Shows the status of the internal testbus.

Table 121. TestBusReg register (address 35h); reset value: XXh, XXXXXXXXb

|               |         |   |   |   |   |   |   |   |
|---------------|---------|---|---|---|---|---|---|---|
|               | 7       | 6 | 5 | 4 | 3 | 2 | 1 | 0 |
|               | TestBus |   |   |   |   |   |   |   |
| Access Rights | r       | r | r | r | r | r | r | r |

Table 122. Description of TestBusReg bits

| Bit    | Symbol  | Description   |
|--------|---------|---|
| 7 to 0 | TestBus | Shows the status of the internal testbus. The testbus is selected by the register TestSel2Reg. See <a href="#">Section 19 “Testsignals”</a> . |

8.2.4.7 AutoTestReg

Controls the digital selftest.

Table 123. AutoTestReg register (address 36h); reset value: 40h, 01000000b

|               |     |        |                  |     |          |     |     |     |
|---------------|-----|--------|------------------|-----|----------|-----|-----|-----|
|               | 7   | 6      | 5                | 4   | 3        | 2   | 1   | 0   |
|               | 0   | AmpRcv | EOFSO<br>FAdjust | -   | SelfTest |     |     |     |
| Access Rights | RFT | r/w    | RFU              | RFU | r/w      | r/w | r/w | r/w |

Table 124. Description of bits

| Bit    | Symbol       | Description  |
|--------|--------------|--|
| 7      | -            | Reserved for production tests.   |
| 6      | AmpRcv       | If set to logic 1, the internal signal processing in the receiver chain is performed non-linear. This increases the operating distance in communication modes at 106 kbit.<br>Note: Due to the non linearity the effect of the bits MinLevel and CollLevel in the register RxThresholdReg are as well non linear.  |
| 5      | EOFSOFAdjust | If set to logic 0 and the EOFSOFwidth is set to 1 will result in the Maximum length of SOF and EOF according to ISO/IEC14443B<br>If set to logic 0 and the EOFSOFwidth is set to 0 will result in the Minimum length of SOF and EOF according to ISO/IEC14443B<br>If this bit is set to 1 and the EOFSOFwidth bit is logic 1 will result in<br>SOF low = (11 etu – 8 cycles)/fc<br>SOF high = (2 etu + 8 cycles)/fc<br>EOF low = (11 etu – 8 cycles)/fc<br>For the behaviour in version 1.0, see <a href="#">Section 20 “Errata sheet” on page 109</a> . |
| 4      | -            | Reserved for future use.   |
| 3 to 0 | SelfTest     | Enables the digital self test. The selftest can be started by the selftest command in the command register. The selftest is enabled by 1001.<br>Note: For default operation the selftest has to be disabled by 0000.   |

8.2.4.8 VersionReg

Shows the version.



**Table 125. VersionReg register (address 37h); reset value: XXh, XXXXXXXXb**

|               | 7       | 6 | 5 | 4 | 3 | 2 | 1 | 0 |
|---------------|---------|---|---|---|---|---|---|---|
|               | Version |   |   |   |   |   |   |   |
| Access Rights | r       | r | r | r | r | r | r | r |

**Table 126. Description of VersionReg bits**

| Bit    | Symbol  | Description  |
|--------|---------|--|
| 7 to 0 | Version | 80h indicates PN512 version 1.0, differences to version 2.0 are described within <a href="#">Section 20 "Errata sheet" on page 109</a> .<br>82h indicates PN512 version 2.0, which covers also the industrial version. |

8.2.4.9 AnalogTestReg

Controls the pins AUX1 and AUX2

Table 127. AnalogTestReg register (address 38h); reset value: 00h, 00000000b

|               |               |     |     |     |               |     |     |     |
|---------------|---------------|-----|-----|-----|---------------|-----|-----|-----|
|               | 7             | 6   | 5   | 4   | 3             | 2   | 1   | 0   |
|               | AnalogSelAux1 |     |     |     | AnalogSelAux2 |     |     |     |
| Access Rights | r/w           | r/w | r/w | r/w | r/w           | r/w | r/w | r/w |

Table 128. Description of AnalogTestReg bits

| Bit    | Symbol  | Description  |       |             |      |          |      |   |      |   |      |   |      |  |      |   |      |   |      |   |      |   |      |                       |      |      |      |     |      |   |      |   |      |   |      |   |
|--------|---|--|-------|-------------|------|----------|------|---|------|---|------|---|------|--|------|---|------|---|------|---|------|---|------|-----------------------|------|------|------|-----|------|---|------|---|------|---|------|---|
| 7 to 4 | AnalogSelAux1   | Controls the AUX pin.  |       |             |      |          |      |   |      |   |      |   |      |  |      |   |      |   |      |   |      |   |      |                       |      |      |      |     |      |   |      |   |      |   |      |   |
| 3 to 0 | AnalogSelAux2   | Note: All test signals are described in <a href="#">Section 19 “Testsignals”</a> .   |       |             |      |          |      |   |      |   |      |   |      |  |      |   |      |   |      |   |      |   |      |                       |      |      |      |     |      |   |      |   |      |   |      |   |
|        |   | <table border="1"> <thead> <tr> <th>Value</th> <th>Description</th> </tr> </thead> <tbody> <tr> <td>0000</td> <td>Tristate</td> </tr> <tr> <td>0001</td> <td>Output of TestDAC1 (AUX1), output of TESTDAC2 (AUX2)<br/>Note: Current output. The use of 1 kΩ pull-down resistor on AUX is recommended.</td> </tr> <tr> <td>0010</td> <td>Testsignal Corr1<br/>Note: Current output. The use of 1 kΩ pull-down resistor on AUX is recommended.</td> </tr> <tr> <td>0011</td> <td>Testsignal Corr2<br/>Note: Current output. The use of 1 kΩ pull-down resistor on AUX is recommended.</td> </tr> <tr> <td>0100</td> <td>Testsignal MinLevel<br/>Note: Current output. The use of 1 kΩ pull-down resistor on AUX is recommended.</td> </tr> <tr> <td>0101</td> <td>Testsignal ADC channel I<br/>Note: Current output. The use of 1 kΩ pull-down resistor on AUX is recommended.</td> </tr> <tr> <td>0110</td> <td>Testsignal ADC channel Q<br/>Note: Current output. The use of 1 kΩ pull-down resistor on AUX is recommended.</td> </tr> <tr> <td>0111</td> <td>Testsignal ADC channel I combined with Q<br/>Note: Current output. The use of 1 kΩ pull-down resistor on AUX is recommended.</td> </tr> <tr> <td>1000</td> <td>Testsignal for production test<br/>Note: Current output. The use of 1 kΩ pull-down resistor on AUX is recommended.</td> </tr> <tr> <td>1001</td> <td>SAM clock (13.56 MHz)</td> </tr> <tr> <td>1010</td> <td>HIGH</td> </tr> <tr> <td>1011</td> <td>LOW</td> </tr> <tr> <td>1100</td> <td>TxActive<br/>At 106 kbit: HIGH during Startbit, Data bit, Parity and CRC. At 212 and 424 kbit: High during Preamble, Sync, Data and CRC.</td> </tr> <tr> <td>1101</td> <td>RxActive<br/>At 106 kbit: High during databit, Parity and CRC.<br/>At 212 and 424 kbit: High during data and CRC.</td> </tr> <tr> <td>1110</td> <td>Subcarrier detected<br/>106 kbit: not applicable<br/>212 and 424 kbit: High during last part of Preamble, Sync data and CRC</td> </tr> <tr> <td>1111</td> <td>TestBus-Bit as defined by the TstBusBitSel in register TestSel1Reg.</td> </tr> </tbody> </table> | Value | Description | 0000 | Tristate | 0001 | Output of TestDAC1 (AUX1), output of TESTDAC2 (AUX2)<br>Note: Current output. The use of 1 kΩ pull-down resistor on AUX is recommended. | 0010 | Testsignal Corr1<br>Note: Current output. The use of 1 kΩ pull-down resistor on AUX is recommended. | 0011 | Testsignal Corr2<br>Note: Current output. The use of 1 kΩ pull-down resistor on AUX is recommended. | 0100 | Testsignal MinLevel<br>Note: Current output. The use of 1 kΩ pull-down resistor on AUX is recommended. | 0101 | Testsignal ADC channel I<br>Note: Current output. The use of 1 kΩ pull-down resistor on AUX is recommended. | 0110 | Testsignal ADC channel Q<br>Note: Current output. The use of 1 kΩ pull-down resistor on AUX is recommended. | 0111 | Testsignal ADC channel I combined with Q<br>Note: Current output. The use of 1 kΩ pull-down resistor on AUX is recommended. | 1000 | Testsignal for production test<br>Note: Current output. The use of 1 kΩ pull-down resistor on AUX is recommended. | 1001 | SAM clock (13.56 MHz) | 1010 | HIGH | 1011 | LOW | 1100 | TxActive<br>At 106 kbit: HIGH during Startbit, Data bit, Parity and CRC. At 212 and 424 kbit: High during Preamble, Sync, Data and CRC. | 1101 | RxActive<br>At 106 kbit: High during databit, Parity and CRC.<br>At 212 and 424 kbit: High during data and CRC. | 1110 | Subcarrier detected<br>106 kbit: not applicable<br>212 and 424 kbit: High during last part of Preamble, Sync data and CRC | 1111 | TestBus-Bit as defined by the TstBusBitSel in register TestSel1Reg. |
| Value  | Description   |  |       |             |      |          |      |   |      |   |      |   |      |  |      |   |      |   |      |   |      |   |      |                       |      |      |      |     |      |   |      |   |      |   |      |   |
| 0000   | Tristate  |  |       |             |      |          |      |   |      |   |      |   |      |  |      |   |      |   |      |   |      |   |      |                       |      |      |      |     |      |   |      |   |      |   |      |   |
| 0001   | Output of TestDAC1 (AUX1), output of TESTDAC2 (AUX2)<br>Note: Current output. The use of 1 kΩ pull-down resistor on AUX is recommended. |  |       |             |      |          |      |   |      |   |      |   |      |  |      |   |      |   |      |   |      |   |      |                       |      |      |      |     |      |   |      |   |      |   |      |   |
| 0010   | Testsignal Corr1<br>Note: Current output. The use of 1 kΩ pull-down resistor on AUX is recommended.                                     |  |       |             |      |          |      |   |      |   |      |   |      |  |      |   |      |   |      |   |      |   |      |                       |      |      |      |     |      |   |      |   |      |   |      |   |
| 0011   | Testsignal Corr2<br>Note: Current output. The use of 1 kΩ pull-down resistor on AUX is recommended.                                     |  |       |             |      |          |      |   |      |   |      |   |      |  |      |   |      |   |      |   |      |   |      |                       |      |      |      |     |      |   |      |   |      |   |      |   |
| 0100   | Testsignal MinLevel<br>Note: Current output. The use of 1 kΩ pull-down resistor on AUX is recommended.                                  |  |       |             |      |          |      |   |      |   |      |   |      |  |      |   |      |   |      |   |      |   |      |                       |      |      |      |     |      |   |      |   |      |   |      |   |
| 0101   | Testsignal ADC channel I<br>Note: Current output. The use of 1 kΩ pull-down resistor on AUX is recommended.                             |  |       |             |      |          |      |   |      |   |      |   |      |  |      |   |      |   |      |   |      |   |      |                       |      |      |      |     |      |   |      |   |      |   |      |   |
| 0110   | Testsignal ADC channel Q<br>Note: Current output. The use of 1 kΩ pull-down resistor on AUX is recommended.                             |  |       |             |      |          |      |   |      |   |      |   |      |  |      |   |      |   |      |   |      |   |      |                       |      |      |      |     |      |   |      |   |      |   |      |   |
| 0111   | Testsignal ADC channel I combined with Q<br>Note: Current output. The use of 1 kΩ pull-down resistor on AUX is recommended.             |  |       |             |      |          |      |   |      |   |      |   |      |  |      |   |      |   |      |   |      |   |      |                       |      |      |      |     |      |   |      |   |      |   |      |   |
| 1000   | Testsignal for production test<br>Note: Current output. The use of 1 kΩ pull-down resistor on AUX is recommended.                       |  |       |             |      |          |      |   |      |   |      |   |      |  |      |   |      |   |      |   |      |   |      |                       |      |      |      |     |      |   |      |   |      |   |      |   |
| 1001   | SAM clock (13.56 MHz)   |  |       |             |      |          |      |   |      |   |      |   |      |  |      |   |      |   |      |   |      |   |      |                       |      |      |      |     |      |   |      |   |      |   |      |   |
| 1010   | HIGH  |  |       |             |      |          |      |   |      |   |      |   |      |  |      |   |      |   |      |   |      |   |      |                       |      |      |      |     |      |   |      |   |      |   |      |   |
| 1011   | LOW   |  |       |             |      |          |      |   |      |   |      |   |      |  |      |   |      |   |      |   |      |   |      |                       |      |      |      |     |      |   |      |   |      |   |      |   |
| 1100   | TxActive<br>At 106 kbit: HIGH during Startbit, Data bit, Parity and CRC. At 212 and 424 kbit: High during Preamble, Sync, Data and CRC. |  |       |             |      |          |      |   |      |   |      |   |      |  |      |   |      |   |      |   |      |   |      |                       |      |      |      |     |      |   |      |   |      |   |      |   |
| 1101   | RxActive<br>At 106 kbit: High during databit, Parity and CRC.<br>At 212 and 424 kbit: High during data and CRC.                         |  |       |             |      |          |      |   |      |   |      |   |      |  |      |   |      |   |      |   |      |   |      |                       |      |      |      |     |      |   |      |   |      |   |      |   |
| 1110   | Subcarrier detected<br>106 kbit: not applicable<br>212 and 424 kbit: High during last part of Preamble, Sync data and CRC               |  |       |             |      |          |      |   |      |   |      |   |      |  |      |   |      |   |      |   |      |   |      |                       |      |      |      |     |      |   |      |   |      |   |      |   |
| 1111   | TestBus-Bit as defined by the TstBusBitSel in register TestSel1Reg.   |  |       |             |      |          |      |   |      |   |      |   |      |  |      |   |      |   |      |   |      |   |      |                       |      |      |      |     |      |   |      |   |      |   |      |   |

**8.2.4.10 TestDAC1Reg**

Defines the testvalues for TestDAC1.

**Table 129. TestDAC1Reg register (address 39h); reset value: XXh, 00XXXXXXb**

|               |          |          |          |          |          |          |          |          |
|---------------|----------|----------|----------|----------|----------|----------|----------|----------|
|               | <b>7</b> | <b>6</b> | <b>5</b> | <b>4</b> | <b>3</b> | <b>2</b> | <b>1</b> | <b>0</b> |
|               | 0        | 0        | TestDAC1 |          |          |          |          |          |
| Access Rights | RFT      | RFU      | r/w      | r/w      | r/w      | r/w      | r/w      | r/w      |

**Table 130. Description of TestDAC1Reg bits**

| Bit    | Symbol   | Description  |
|--------|----------|--|
| 7      | -        | Reserved for production tests.   |
| 6      | -        | Reserved for future use.   |
| 5 to 0 | TestDAC1 | Defines the testvalue for TestDAC1. The output of the DAC1 can be switched to AUX1 by setting AnalogSelAux1 to 0001 in register AnalogTestReg. |

**8.2.4.11 TestDAC2Reg**

Defines the testvalue for TestDAC2.

**Table 131. TestDAC2Reg register (address 3Ah); reset value: XXh, 00XXXXXXb**

|               |          |          |          |          |          |          |          |          |
|---------------|----------|----------|----------|----------|----------|----------|----------|----------|
|               | <b>7</b> | <b>6</b> | <b>5</b> | <b>4</b> | <b>3</b> | <b>2</b> | <b>1</b> | <b>0</b> |
|               | 0        | 0        | TestDAC2 |          |          |          |          |          |
| Access Rights | RFU      | RFU      | r/w      | r/w      | r/w      | r/w      | r/w      | r/w      |

**Table 132. Description of TestDAC2Reg bits**

| Bit    | Symbol   | Description  |
|--------|----------|--|
| 7 to 6 | -        | Reserved for future use.   |
| 5 to 0 | TestDAC2 | Defines the testvalue for TestDAC2. The output of the DAC2 can be switched to AUX2 by setting AnalogSelAux2 to 0001 in register AnalogTestReg. |

**8.2.4.12 TestADCReg**

Shows the actual value of ADC I and Q channel.

**Table 133. TestADCReg register (address 3Bh); reset value: XXh, XXXXXXXXb**

|               |          |          |          |          |          |          |          |          |
|---------------|----------|----------|----------|----------|----------|----------|----------|----------|
|               | <b>7</b> | <b>6</b> | <b>5</b> | <b>4</b> | <b>3</b> | <b>2</b> | <b>1</b> | <b>0</b> |
|               | ADC_I    |          |          |          | ADC_Q    |          |          |          |
| Access Rights |          |          |          |          |          |          |          |          |

**Table 134. Description of TestADCReg bits**

| Bit    | Symbol | Description                              |
|--------|--------|--|
| 7 to 4 | ADC_I  | Shows the actual value of ADC I channel. |
| 3 to 0 | ADC_Q  | Shows the actual value of ADC Q channel. |

## 8.2.4.13 RFTReg

Table 135. RFTReg register (address 3Ch); reset value: FFh, 11111111b

|               | 7   | 6   | 5   | 4   | 3   | 2   | 1   | 0   |
|---------------|-----|-----|-----|-----|-----|-----|-----|-----|
|               | 1   | 1   | 1   | 1   | 1   | 1   | 1   | 1   |
| Access Rights | RFT | RFT | RFT | RFT | RFT | RFT | RFT | RFT |

Table 136. Description of RFTReg bits

| Bit    | Symbol | Description                    |
|--------|--------|--------------------------------|
| 7 to 0 | -      | Reserved for production tests. |

Table 137. RFTReg register (address 3Dh, 3Fh); reset value: 00h, 00000000b

|               | 7   | 6   | 5   | 4   | 3   | 2   | 1   | 0   |
|---------------|-----|-----|-----|-----|-----|-----|-----|-----|
|               | 0   | 0   | 0   | 0   | 0   | 0   | 0   | 0   |
| Access Rights | RFT | RFT | RFT | RFT | RFT | RFT | RFT | RFT |

Table 138. Description of RFTReg bits

| Bit    | Symbol | Description                    |
|--------|--------|--------------------------------|
| 7 to 0 | -      | Reserved for production tests. |

Table 139. RFTReg register (address 3Eh); reset value: 03h, 00000011b

|               | 7   | 6   | 5   | 4   | 3   | 2   | 1   | 0   |
|---------------|-----|-----|-----|-----|-----|-----|-----|-----|
|               | 0   | 0   | 0   | 0   | 0   | 0   | 1   | 1   |
| Access Rights | RFT | RFT | RFT | RFT | RFT | RFT | RFT | RFT |

Table 140. Description of RFTReg bits

| Bit    | Symbol | Description                    |
|--------|--------|--------------------------------|
| 7 to 0 | -      | Reserved for production tests. |

## 9. Digital interfaces

## 9.1 Automatic microcontroller interface detection

The PN512 supports direct interfacing of hosts using SPI, I<sup>2</sup>C-bus or serial UART interfaces. The PN512 resets its interface and checks the current host interface type automatically after performing a power-on or hard reset. The PN512 identifies the host interface by sensing the logic levels on the control pins after the reset phase. This is done using a combination of fixed pin connections. [Table 141](#) shows the different connection configurations.

Table 141. Connection protocol for detecting different interface types

| Pin              | Interface type |              |                            |
|------------------|----------------|--------------|----------------------------|
|                  | UART (input)   | SPI (output) | I <sup>2</sup> C-bus (I/O) |
| SDA              | RX             | NSS          | SDA                        |
| I <sup>2</sup> C | 0              | 0            | 1                          |
| EA               | 0              | 1            | EA                         |
| D7               | TX             | MISO         | SCL                        |
| D6               | MX             | MOSI         | ADR_0                      |
| D5               | DTRQ           | SCK          | ADR_1                      |
| D4               | -              | -            | ADR_2                      |
| D3               | -              | -            | ADR_3                      |
| D2               | -              | -            | ADR_4                      |
| D1               | -              | -            | ADR_5                      |

Table 142. Connection scheme for detecting the different interface types

| PN512              | Parallel Interface Type     |                         |                          |                         | Serial Interface Types |      |                  |
|--------------------|-----------------------------|-------------------------|--------------------------|-------------------------|------------------------|------|------------------|
|                    | Separated Read/Write Strobe |                         | Common Read/Write Strobe |                         | UART                   | SPI  | I <sup>2</sup> C |
| Pin                | Dedicated Address Bus       | Multiplexed Address Bus | Dedicated Address Bus    | Multiplexed Address Bus |                        |      |                  |
| ALE                | 1                           | ALE                     | 1                        | AS                      | RX                     | NSS  | SDA              |
| A5 <sup>[1]</sup>  | A5                          | 0                       | A5                       | 0                       | 0                      | 0    | 0                |
| A4 <sup>[1]</sup>  | A4                          | 0                       | A4                       | 0                       | 0                      | 0    | 0                |
| A3 <sup>[1]</sup>  | A3                          | 0                       | A3                       | 0                       | 0                      | 0    | 0                |
| A2 <sup>[1]</sup>  | A2                          | 1                       | A2                       | 1                       | 0                      | 0    | 0                |
| A1                 | A1                          | 1                       | A1                       | 1                       | 0                      | 0    | 1                |
| A0                 | A0                          | 1                       | A0                       | 0                       | 0                      | 1    | EA               |
| NRD <sup>[1]</sup> | NRD                         | NRD                     | NDS                      | NDS                     | 1                      | 1    | 1                |
| NWR <sup>[1]</sup> | NWR                         | NWR                     | RD/NWR                   | RD/NWR                  | 1                      | 1    | 1                |
| NCS <sup>[1]</sup> | NCS                         | NCS                     | NCS                      | NCS                     | NCS                    | NCS  | NCS              |
| D7                 | D7                          | D7                      | D7                       | D7                      | TX                     | MISO | SCL              |
| D6                 | D6                          | D6                      | D6                       | D6                      | MX                     | MOSI | ADR_0            |
| D5                 | D5                          | AD5                     | D5                       | AD5                     | DTRQ                   | SCK  | ADR_1            |
| D4                 | D4                          | AD4                     | D4                       | AD4                     | -                      | -    | ADR_2            |
| D3                 | D3                          | AD3                     | D3                       | AD3                     | -                      | -    | ADR_3            |
| D2                 | D2                          | AD2                     | D2                       | AD2                     | -                      | -    | ADR_4            |
| D1                 | D1                          | AD1                     | D1                       | AD1                     | -                      | -    | ADR_5            |
| D0                 | D0                          | AD0                     | D0                       | AD0                     | -                      | -    | ADR_6            |

Remark: Overview on the pin behavior

| Pin behavior | Input | Output | In/Out |
|--------------|-------|--------|--------|
|              |       |        |        |

[1] only available in HVQFN 40.

## 9.2 Serial Peripheral Interface

A serial peripheral interface (SPI compatible) is supported to enable high-speed communication to the host. The interface can handle data speeds up to 10 Mbit/s. When communicating with a host, the PN512 acts as a slave, receiving data from the external host for register settings, sending and receiving data relevant for RF interface communication.

An interface compatible with SPI enables high-speed serial communication between the PN512 and a microcontroller. The implemented interface is in accordance with the SPI standard.

The timing specification is given in [Section 25.1 on page 117](#).



Fig 13. SPI connection to host

The PN512 acts as a slave during SPI communication. The SPI clock signal SCK must be generated by the master. Data communication from the master to the slave uses the MOSI line. The MISO line is used to send data from the PN512 to the master.

Data bytes on both MOSI and MISO lines are sent with the MSB first. Data on both MOSI and MISO lines must be stable on the rising edge of the clock and can be changed on the falling edge. Data is provided by the PN512 on the falling clock edge and is stable during the rising clock edge.

### 9.2.1 SPI read data

Reading data using SPI requires the byte order shown in [Table 143](#) to be used. It is possible to read out up to n-data bytes.

The first byte sent defines both the mode and the address.

Table 143. MOSI and MISO byte order

| Line | Byte 0           | Byte 1    | Byte 2    | To  | Byte n     | Byte n + 1 |
|------|------------------|-----------|-----------|-----|------------|------------|
| MOSI | address 0        | address 1 | address 2 | ... | address n  | 00         |
| MISO | X <sup>[1]</sup> | data 0    | data 1    | ... | data n – 1 | data n     |

[1] X = Do not care.

**Remark:** The MSB must be sent first.

### 9.2.2 SPI write data

To write data to the PN512 using SPI requires the byte order shown in [Table 144](#). It is possible to write up to n data bytes by only sending one address byte.

The first send byte defines both the mode and the address byte.

**Table 144. MOSI and MISO byte order**

| Line | Byte 0           | Byte 1           | Byte 2           | To  | Byte n           | Byte n + 1       |
|------|------------------|------------------|------------------|-----|------------------|------------------|
| MOSI | address 0        | data 0           | data 1           | ... | data n – 1       | data n           |
| MISO | X <sup>[1]</sup> | X <sup>[1]</sup> | X <sup>[1]</sup> | ... | X <sup>[1]</sup> | X <sup>[1]</sup> |

[1] X = Do not care.

**Remark:** The MSB must be sent first.

### 9.2.3 SPI address byte

The address byte has to meet the following format.

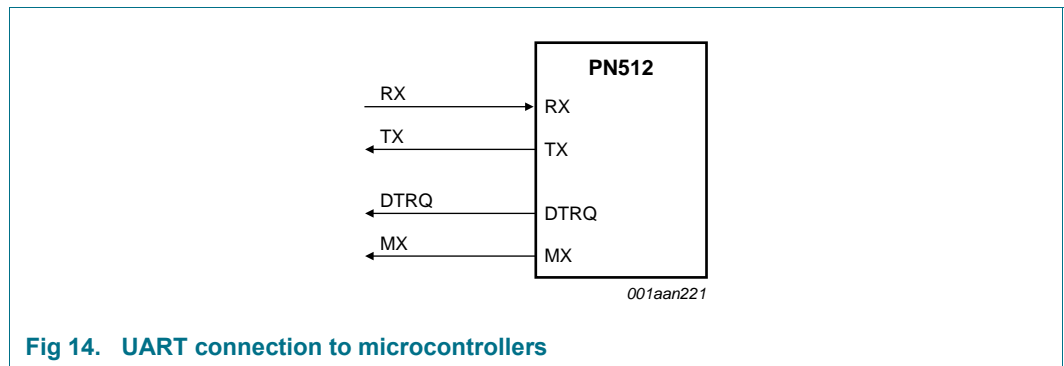
The MSB of the first byte defines the mode used. To read data from the PN512 the MSB is set to logic 1. To write data to the PN512 the MSB must be set to logic 0. Bits 6 to 1 define the address and the LSB is set to logic 0.

**Table 145. Address byte 0 register; address MOSI**

| 7 (MSB)               | 6       | 5 | 4 | 3 | 2 | 1 | 0 (LSB) |
|-----------------------|---------|---|---|---|---|---|---------|
| 1 = read<br>0 = write | address |   |   |   |   |   | 0       |

## 9.3 UART interface

### 9.3.1 Connection to a host



**Fig 14. UART connection to microcontrollers**

**Remark:** Signals DTRQ and MX can be disabled by clearing TestPinEnReg register's RS232LineEn bit.

### 9.3.2 Selectable UART transfer speeds

The internal UART interface is compatible with an RS232 serial interface.

The default transfer speed is 9.6 kBd. To change the transfer speed, the host controller must write a value for the new transfer speed to the SerialSpeedReg register. Bits BR\_T0[2:0] and BR\_T1[4:0] define the factors for setting the transfer speed in the SerialSpeedReg register.

The BR\_T0[2:0] and BR\_T1[4:0] settings are described in [Table 10](#). Examples of different transfer speeds and the relevant register settings are given in [Table 11](#).

Table 146. BR\_T0 and BR\_T1 settings

| BR_Tn        | Bit 0   | Bit 1    | Bit 2    | Bit 3    | Bit 4    | Bit 5    | Bit 6    | Bit 7    |
|--------------|---------|----------|----------|----------|----------|----------|----------|----------|
| BR_T0 factor | 1       | 1        | 2        | 4        | 8        | 16       | 32       | 64       |
| BR_T1 range  | 1 to 32 | 33 to 64 | 33 to 64 | 33 to 64 | 33 to 64 | 33 to 64 | 33 to 64 | 33 to 64 |

Table 147. Selectable UART transfer speeds

| Transfer speed (kBd) | SerialSpeedReg value |             | Transfer speed accuracy (%) <sup>[1]</sup> |
|----------------------|----------------------|-------------|--|
|                      | Decimal              | Hexadecimal |  |
| 7.2                  | 250                  | FAh         | -0.25                                      |
| 9.6                  | 235                  | EBh         | 0.32                                       |
| 14.4                 | 218                  | DAh         | -0.25                                      |
| 19.2                 | 203                  | CBh         | 0.32                                       |
| 38.4                 | 171                  | ABh         | 0.32                                       |
| 57.6                 | 154                  | 9Ah         | -0.25                                      |
| 115.2                | 122                  | 7Ah         | -0.25                                      |
| 128                  | 116                  | 74h         | -0.06                                      |
| 230.4                | 90                   | 5Ah         | -0.25                                      |
| 460.8                | 58                   | 3Ah         | -0.25                                      |
| 921.6                | 28                   | 1Ch         | 1.45                                       |
| 1228.8               | 21                   | 15h         | 0.32                                       |

[1] The resulting transfer speed error is less than 1.5 % for all described transfer speeds.

The selectable transfer speeds shown in [Table 11](#) are calculated according to the following equations:

If BR\_T0[2:0] = 0:

$$transfer\ speed = \frac{27.12 \times 10^6}{(BR\_T0 + 1)} \tag{1}$$

If BR\_T0[2:0] > 0:

$$transfer\ speed = \left( \frac{27.12 \times 10^6}{\frac{(BR\_T1 + 33)}{2^{(BR\_T0 - 1)}}} \right) \tag{2}$$

**Remark:** Transfer speeds above 1228.8 kBd are not supported.

### 9.3.3 UART framing

Table 148. UART framing

| Bit   | Length | Value |
|-------|--------|-------|
| Start | 1-bit  | 0     |
| Data  | 8 bits | data  |
| Stop  | 1-bit  | 1     |



**Remark:** The LSB for data and address bytes must be sent first. No parity bit is used during transmission.

**Read data:** To read data using the UART interface, the flow shown in [Table 149](#) must be used. The first byte sent defines both the mode and the address.

**Table 149. Read data byte order**

| Pin         | Byte 0  | Byte 1 |
|-------------|---------|--------|
| RX (pin 24) | address | -      |
| TX (pin 31) | -       | data 0 |



**Fig 15. UART read data timing diagram**

**Write data:** To write data to the PN512 using the UART interface, the structure shown in [Table 150](#) must be used.

The first byte sent defines both the mode and the address.

**Table 150. Write data byte order**

| Pin         | Byte 0    | Byte 1    |
|-------------|-----------|-----------|
| RX (pin 24) | address 0 | data 0    |
| TX (pin 31) | -         | address 0 |

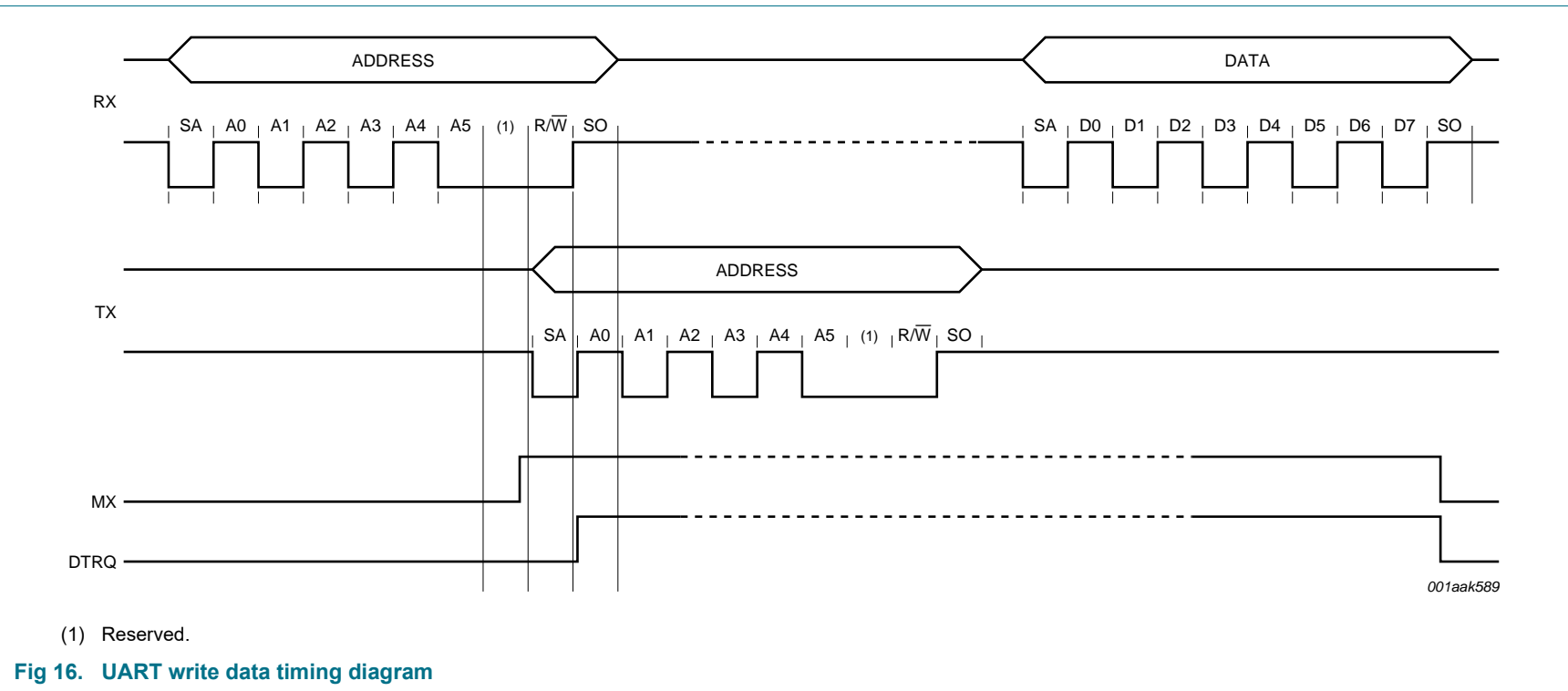


Fig 16. UART write data timing diagram

**Remark:** The data byte can be sent directly after the address byte on pin RX.

**Address byte:** The address byte has to meet the following format:

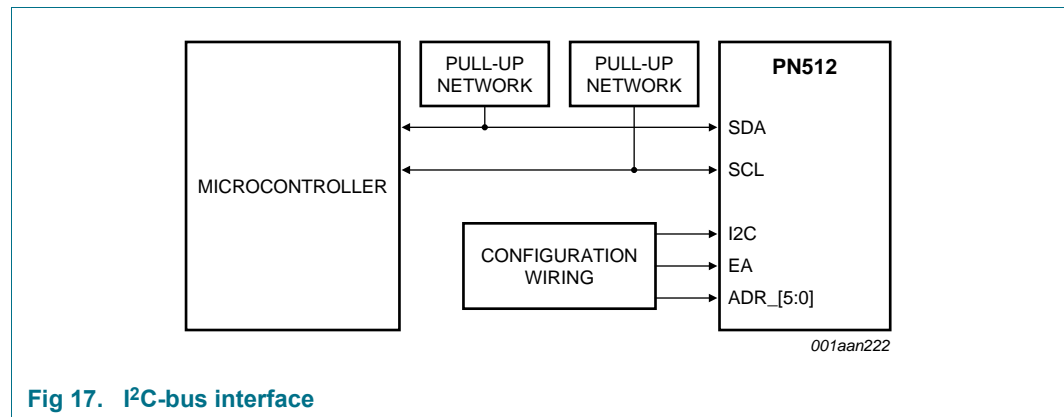
The MSB of the first byte sets the mode used. To read data from the PN512, the MSB is set to logic 1. To write data to the PN512 the MSB is set to logic 0. Bit 6 is reserved for future use, and bits 5 to 0 define the address; see [Table 151](#).

**Table 151. Address byte 0 register; address MOSI**

| 7 (MSB)               | 6        | 5       | 4 | 3 | 2 | 1 | 0 (LSB) |
|-----------------------|----------|---------|---|---|---|---|---------|
| 1 = read<br>0 = write | reserved | address |   |   |   |   |         |

### 9.4 I<sup>2</sup>C Bus Interface

An I<sup>2</sup>C-bus (Inter-IC) interface is supported to enable a low-cost, low pin count serial bus interface to the host. The I<sup>2</sup>C-bus interface is implemented according to NXP Semiconductors' *I<sup>2</sup>C-bus interface specification, rev. 2.1, January 2000*. The interface can only act in Slave mode. Therefore the PN512 does not implement clock generation or access arbitration.



**Fig 17. I<sup>2</sup>C-bus interface**

The PN512 can act either as a slave receiver or slave transmitter in Standard mode, Fast mode and High-speed mode.

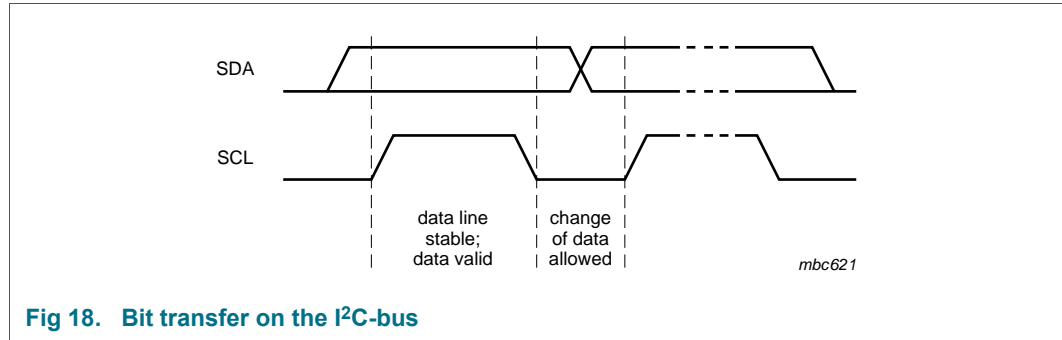
SDA is a bidirectional line connected to a positive supply voltage using a current source or a pull-up resistor. Both SDA and SCL lines are set HIGH when data is not transmitted. The PN512 has a 3-state output stage to perform the wired-AND function. Data on the I<sup>2</sup>C-bus can be transferred at data rates of up to 100 kBd in Standard mode, up to 400 kBd in Fast mode or up to 3.4 Mbit/s in High-speed mode.

If the I<sup>2</sup>C-bus interface is selected, spike suppression is activated on lines SCL and SDA as defined in the I<sup>2</sup>C-bus interface specification.

See [Table 171 on page 117](#) for timing requirements.

**9.4.1 Data validity**

Data on the SDA line must be stable during the HIGH clock period. The HIGH or LOW state of the data line must only change when the clock signal on SCL is LOW.



**Fig 18. Bit transfer on the I<sup>2</sup>C-bus**

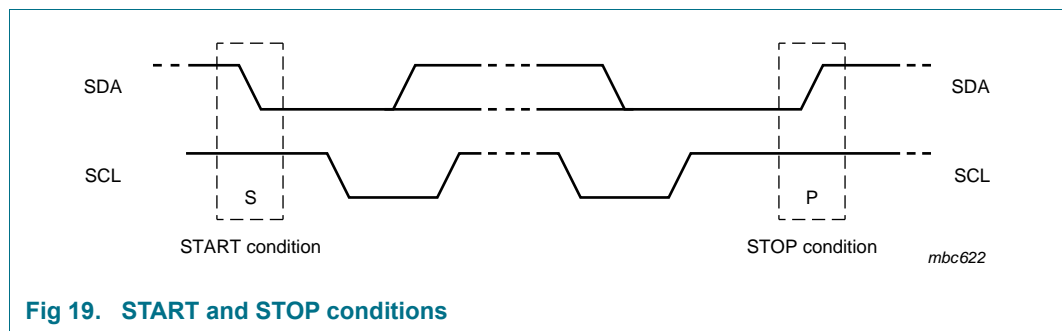
**9.4.2 START and STOP conditions**

To manage the data transfer on the I<sup>2</sup>C-bus, unique START (S) and STOP (P) conditions are defined.

- A START condition is defined with a HIGH-to-LOW transition on the SDA line while SCL is HIGH.
- A STOP condition is defined with a LOW-to-HIGH transition on the SDA line while SCL is HIGH.

The I<sup>2</sup>C-bus master always generates the START and STOP conditions. The bus is busy after the START condition. The bus is free again a certain time after the STOP condition.

The bus stays busy if a repeated START (Sr) is generated instead of a STOP condition. The START (S) and repeated START (Sr) conditions are functionally identical. Therefore, S is used as a generic term to represent both the START (S) and repeated START (Sr) conditions.



**Fig 19. START and STOP conditions**

**9.4.3 Byte format**

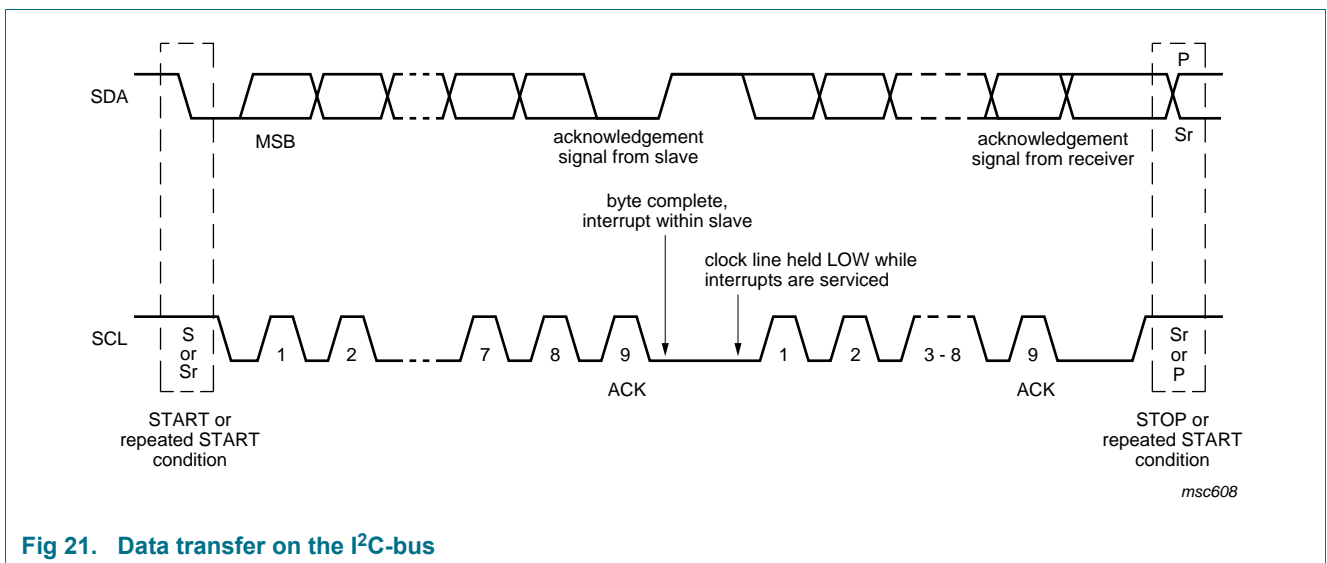
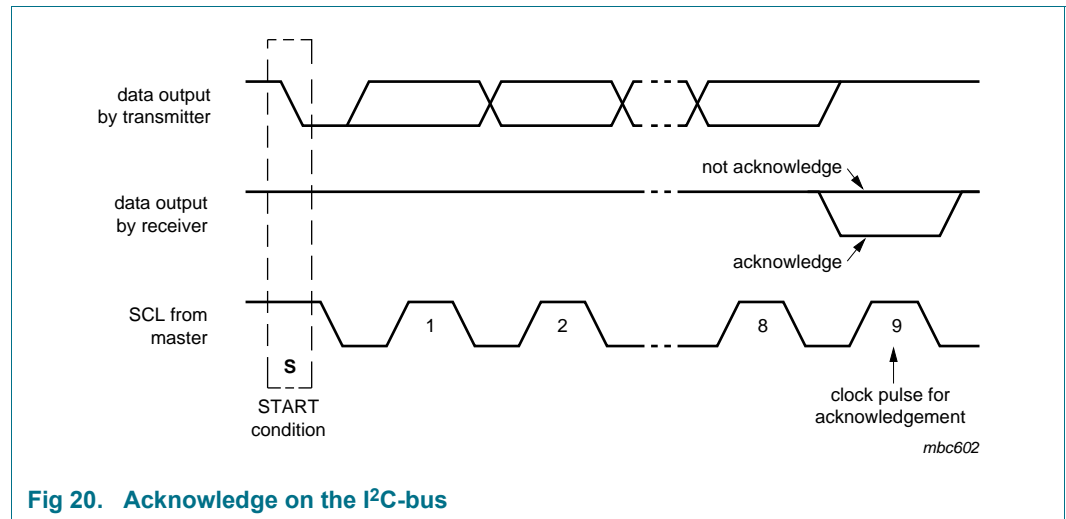
Each byte must be followed by an acknowledge bit. Data is transferred with the MSB first; see [Figure 22](#). The number of transmitted bytes during one data transfer is unrestricted but must meet the read/write cycle format.

### 9.4.4 Acknowledge

An acknowledge must be sent at the end of one data byte. The acknowledge-related clock pulse is generated by the master. The transmitter of data, either master or slave, releases the SDA line (HIGH) during the acknowledge clock pulse. The receiver pulls down the SDA line during the acknowledge clock pulse so that it remains stable LOW during the HIGH period of this clock pulse.

The master can then generate either a STOP (P) condition to stop the transfer or a repeated START (Sr) condition to start a new transfer.

A master-receiver indicates the end of data to the slave-transmitter by not generating an acknowledge on the last byte that was clocked out by the slave. The slave-transmitter releases the data line to allow the master to generate a STOP (P) or repeated START (Sr) condition.



### 9.4.5 7-Bit addressing

During the I<sup>2</sup>C-bus address procedure, the first byte after the START condition is used to determine which slave will be selected by the master.

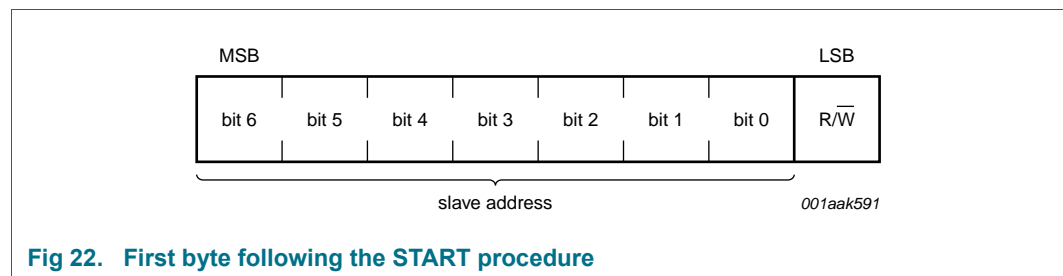
Several address numbers are reserved. During device configuration, the designer must ensure that collisions with these reserved addresses cannot occur. Check the *I<sup>2</sup>C-bus specification* for a complete list of reserved addresses.

The I<sup>2</sup>C-bus address specification is dependent on the definition of pin EA. Immediately after releasing pin NRSTPD or after a power-on reset, the device defines the I<sup>2</sup>C-bus address according to pin EA.

If pin EA is set LOW, the upper 4 bits of the device bus address are reserved by NXP Semiconductors and set to 0101b for all PN512 devices. The remaining 3 bits (ADR\_0, ADR\_1, ADR\_2) of the slave address can be freely configured by the customer to prevent collisions with other I<sup>2</sup>C-bus devices.

If pin EA is set HIGH, ADR\_0 to ADR\_5 can be completely specified at the external pins according to [Table 141 on page 69](#). ADR\_6 is always set to logic 0.

In both modes, the external address coding is latched immediately after releasing the reset condition. Further changes at the used pins are not taken into consideration. Depending on the external wiring, the I<sup>2</sup>C-bus address pins can be used for test signal outputs.



**Fig 22. First byte following the START procedure**

### 9.4.6 Register write access

To write data from the host controller using the I<sup>2</sup>C-bus to a specific register in the PN512 the following frame format must be used.

- The first byte of a frame indicates the device address according to the I<sup>2</sup>C-bus rules.
- The second byte indicates the register address followed by up to n-data bytes.

In one frame all data bytes are written to the same register address. This enables fast FIFO buffer access. The Read/Write (R/W) bit is set to logic 0.

### 9.4.7 Register read access

To read out data from a specific register address in the PN512, the host controller must use the following procedure:

- Firstly, a write access to the specific register address must be performed as indicated in the frame that follows
- The first byte of a frame indicates the device address according to the I<sup>2</sup>C-bus rules
- The second byte indicates the register address. No data bytes are added
- The Read/Write bit is 0

After the write access, read access can start. The host sends the device address of the PN512. In response, the PN512 sends the content of the read access register. In one frame all data bytes can be read from the same register address. This enables fast FIFO buffer access or register polling.

The Read/Write (R/W) bit is set to logic 1.

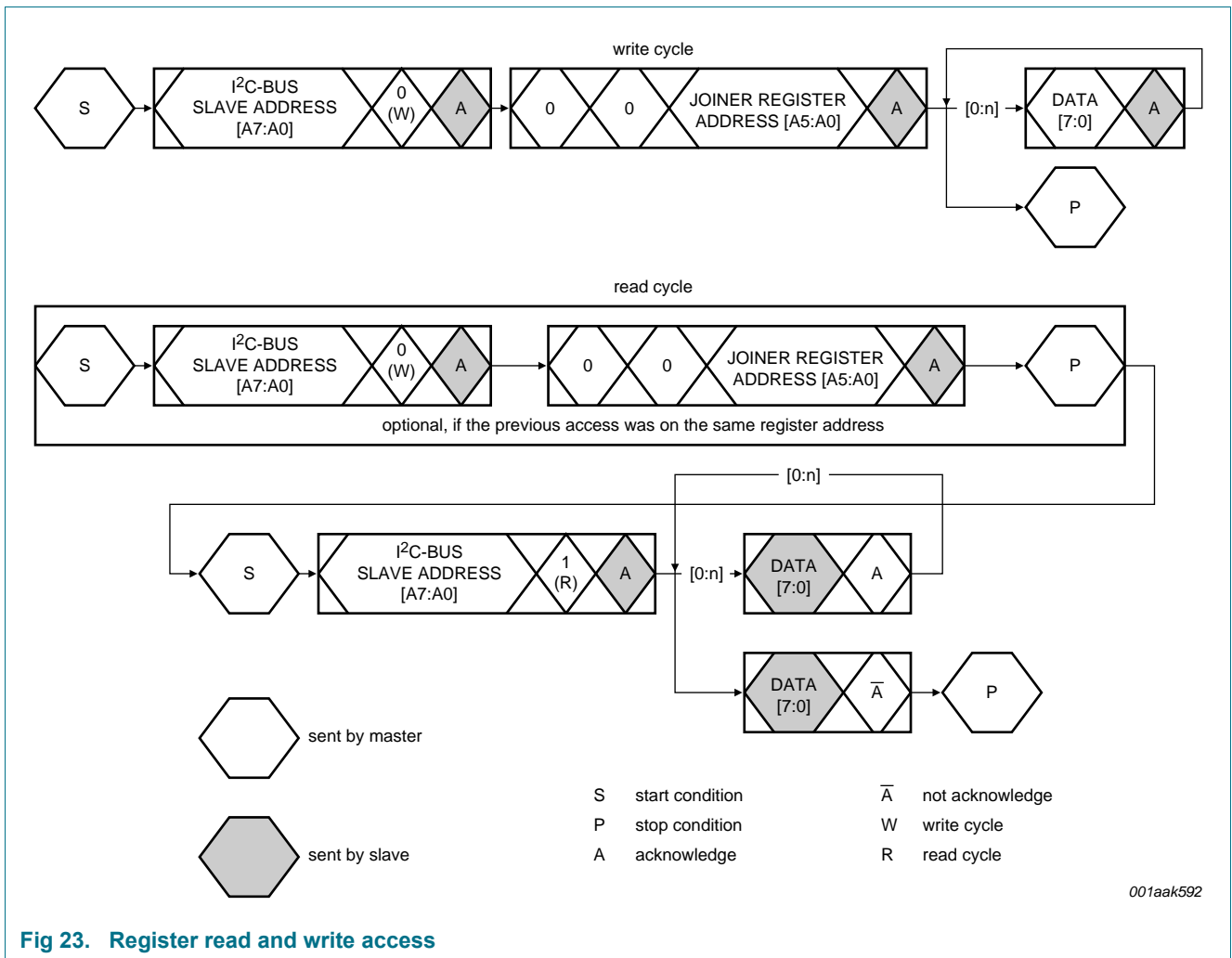


Fig 23. Register read and write access

**9.4.8 High-speed mode**

In High-speed mode (HS mode), the device can transfer information at data rates of up to 3.4 Mbit/s, while remaining fully downward-compatible with Fast or Standard mode (F/S mode) for bidirectional communication in a mixed-speed bus system.

**9.4.9 High-speed transfer**

To achieve data rates of up to 3.4 Mbit/s the following improvements have been made to I<sup>2</sup>C-bus operation.

- The inputs of the device in HS mode incorporate spike suppression, a Schmitt trigger on the SDA and SCL inputs and different timing constants when compared to F/S mode
- The output buffers of the device in HS mode incorporate slope control of the falling edges of the SDA and SCL signals with different fall times compared to F/S mode

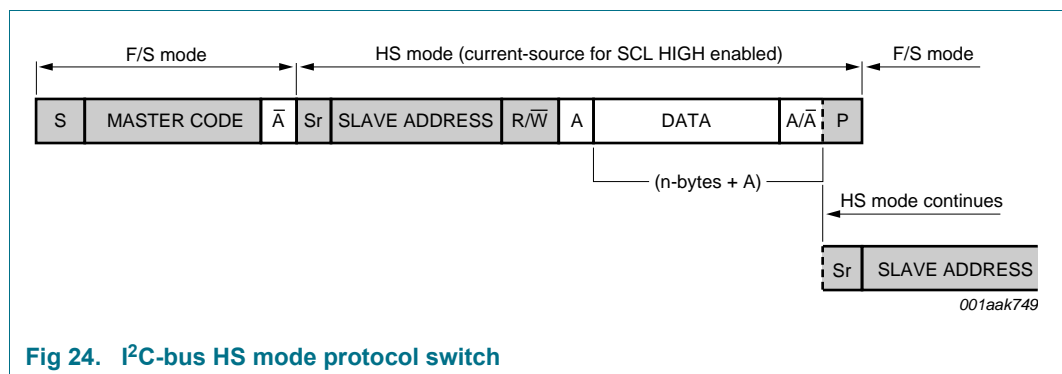
**9.4.10 Serial data transfer format in HS mode**

The HS mode serial data transfer format meets the Standard mode I<sup>2</sup>C-bus specification. HS mode can only start after all of the following conditions (all of which are in F/S mode):

1. START condition (S)
2. 8-bit master code (00001XXXb)
3. Not-acknowledge bit ( $\bar{A}$ )

When HS mode starts, the active master sends a repeated START condition (Sr) followed by a 7-bit slave address with a R/W bit address and receives an acknowledge bit (A) from the selected PN512.

Data transfer continues in HS mode after the next repeated START (Sr), only switching back to F/S mode after a STOP condition (P). To reduce the overhead of the master code, a master links a number of HS mode transfers, separated by repeated START conditions (Sr).



**Fig 24. I<sup>2</sup>C-bus HS mode protocol switch**



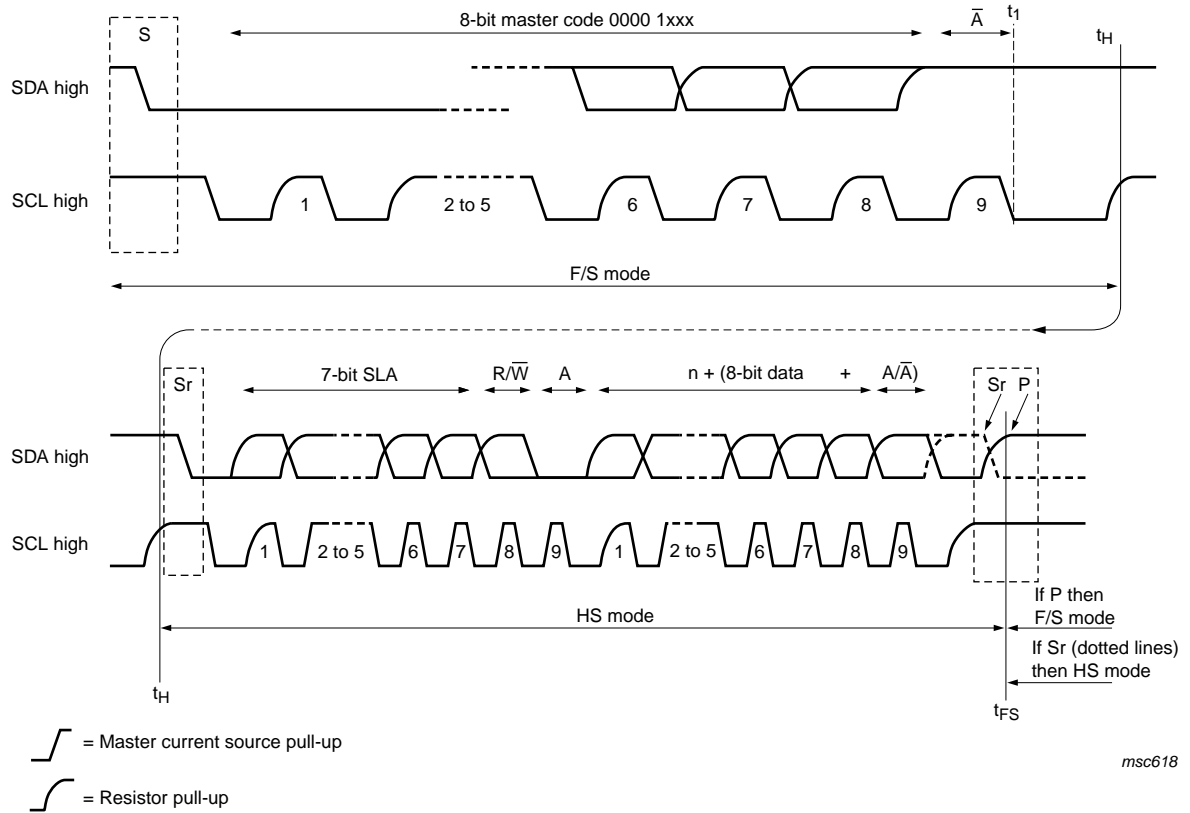


Fig 25. I<sup>2</sup>C-bus HS mode protocol frame

### 9.4.11 Switching between F/S mode and HS mode

After reset and initialization, the PN512 is in Fast mode (which is in effect F/S mode as Fast mode is downward-compatible with Standard mode). The connected PN512 recognizes the “S 00001XXX A” sequence and switches its internal circuitry from the Fast mode setting to the HS mode setting.

The following actions are taken:

1. Adapt the SDA and SCL input filters according to the spike suppression requirement in HS mode.
2. Adapt the slope control of the SDA output stages.

It is possible for system configurations that do not have other I<sup>2</sup>C-bus devices involved in the communication to switch to HS mode permanently. This is implemented by setting Status2Reg register’s I<sup>2</sup>CForceHS bit to logic 1. In permanent HS mode, the master code is not required to be sent. This is not defined in the specification and must only be used when no other devices are connected on the bus. In addition, spikes on the I<sup>2</sup>C-bus lines must be avoided because of the reduced spike suppression.

### 9.4.12 PN512 at lower speed modes

PN512 is fully downward-compatible and can be connected to an F/S mode I<sup>2</sup>C-bus system. The device stays in F/S mode and communicates at F/S mode speeds because a master code is not transmitted in this configuration.

## 10. 8-bit parallel interface

The PN512 supports two different types of 8-bit parallel interfaces, Intel and Motorola compatible modes.

### 10.1 Overview of supported host controller interfaces

The PN512 supports direct interfacing to various  $\mu$ -Controllers. The following table shows the parallel interface types supported by the PN512.

**Table 152. Supported interface types**

| Supported interface types                               | Bus     | Separated Address and Data Bus | Multiplexed Address and Data Bus |
|---|---------|--------------------------------|----------------------------------|
| Separated Read and Write Strokes (INTEL compatible)     | control | NRD, NWR, NCS                  | NRD, NWR, NCS, ALE               |
|   | address | A0 ... A3 [...A5*]             | AD0 ... AD7                      |
|   | data    | D0 ... D7                      | AD0 ... AD7                      |
| Multiplexed Read and Write Strobe (Motorola compatible) | control | R/NW, NDS, NCS                 | R/NW, NDS, NCS, AS               |
|   | address | A0 ... A3 [...A5*]             | AD0 ... AD7                      |
|   | data    | D0 ... D7                      | AD0 ... AD7                      |

### 10.2 Separated Read/Write strobe



Fig 26. Connection to host controller with separated Read/Write strobes

For timing requirements refer to [Section 25.2 “8-bit parallel interface timing”](#).

### 10.3 Common Read/Write strobe



Fig 27. Connection to host controller with common Read/Write strobes

For timing requirements refer to [Section 25.2 “8-bit parallel interface timing”](#)

## 11. Analog interface and contactless UART

### 11.1 General

The integrated contactless UART supports the external host online with framing and error checking of the protocol requirements up to 848 kBd. An external circuit can be connected to the communication interface pins MFIN and MFOUT to modulate and demodulate the data.

The contactless UART handles the protocol requirements for the communication protocols in cooperation with the host. Protocol handling generates bit and byte-oriented framing. In addition, it handles error detection such as parity and CRC, based on the various supported contactless communication protocols.

**Remark:** The size and tuning of the antenna and the power supply voltage have an important impact on the achievable operating distance.

### 11.2 TX driver

The signal on pins TX1 and TX2 is the 13.56 MHz energy carrier modulated by an envelope signal. It can be used to drive an antenna directly using a few passive components for matching and filtering; see [Section 14 on page 96](#). The signal on pins TX1 and TX2 can be configured using the TxControlReg register; see [Section 8.2.2.5 on page 40](#).

The modulation index can be set by adjusting the impedance of the drivers. The impedance of the p-driver can be configured using registers CWGsPReg and ModGsPReg. The impedance of the n-driver can be configured using the GsNReg register. The modulation index also depends on the antenna design and tuning.

The TxModeReg and TxSelReg registers control the data rate and framing during transmission and the antenna driver setting to support the different requirements at the different modes and transfer speeds.

Table 153. Register and bit settings controlling the signal on pin TX1

| Bit Tx1RFEn | Bit Force 100ASK | Bit InvTx1RFOn   | Bit InvTx1RFOff  | Envelope         | Pin TX1          | GSPMos   | GSNMos   | Remarks  |
|-------------|------------------|------------------|------------------|------------------|------------------|----------|----------|--|
| 0           | X <sup>[1]</sup> | X <sup>[1]</sup> | X <sup>[1]</sup> | X <sup>[1]</sup> | X <sup>[1]</sup> | CWGsnOff | CWGsnOff | not specified if RF is switched off                                      |
| 1           | 0                | 0                | X <sup>[1]</sup> | 0                | RF               | pMod     | nMod     | 100 % ASK: pin TX1 pulled to logic 0, independent of the InvTx1RFOff bit |
|             |                  |                  |                  | 1                | RF               | pCW      | nCW      |  |
|             | 0                | 1                | X <sup>[1]</sup> | 0                | RF               | pMod     | nMod     |  |
|             |                  |                  |                  | 1                | RF               | pCW      | nCW      |  |
|             | 1                | 1                | X <sup>[1]</sup> | 0                | 0                | pMod     | nMod     |  |
|             |                  |                  |                  | 1                | RF_n             | pCW      | nCW      |  |

[1] X = Do not care.

Table 154. Register and bit settings controlling the signal on pin TX2

| Bit Tx1RFEn | Bit Force 100ASK | Bit Tx2CW        | Bit InvTx2RFOOn  | Bit InvTx2RFOff  | Envelope         | Pin TX2          | GSPMos           | GSMNmos          | Remarks                                 |  |      |      |     |
|-------------|------------------|------------------|------------------|------------------|------------------|------------------|------------------|------------------|---|--|------|------|-----|
| 0           | X <sup>[1]</sup> | X <sup>[1]</sup> | X <sup>[1]</sup> | X <sup>[1]</sup> | X <sup>[1]</sup> | X <sup>[1]</sup> | CWGsNOff         | CWGsNOff         | not specified if RF is switched off     |  |      |      |     |
| 1           | 0                | 0                | 0                | X <sup>[1]</sup> | 0                | RF               | pMod             | nMod             | -                                       |  |      |      |     |
|             |                  |                  |                  |                  | 1                | RF               | pCW              | nCW              |   |  |      |      |     |
|             |                  |                  | 1                | X <sup>[1]</sup> | 0                | RF_n             | pMod             | nMod             |   |  |      |      |     |
|             |                  |                  |                  |                  | 1                | RF_n             | pCW              | nCW              |   |  |      |      |     |
|             | 1                | 0                | 0                | X <sup>[1]</sup> | X <sup>[1]</sup> | RF               | pCW              | nCW              | conductance always CW for the Tx2CW bit |  |      |      |     |
|             |                  |                  |                  |                  | X <sup>[1]</sup> | RF_n             | pCW              | nCW              |   |  |      |      |     |
|             | 1                | 0                | 0                | 0                | X <sup>[1]</sup> | 0                | 0                | pMod             | nMod                                    | 100 % ASK: pin TX2 pulled to logic 0 (independent of the InvTx2RFOOn/InvTx2RFOff bits) |      |      |     |
|             |                  |                  |                  |                  |                  | 1                | RF               | pCW              | nCW                                     |  |      |      |     |
|             |                  |                  |                  |                  |                  | 1                | X <sup>[1]</sup> | 0                | 0                                       |  | pMod | nMod |     |
|             |                  |                  |                  |                  |                  |                  |                  | 1                | RF_n                                    |  | pCW  | nCW  |     |
| 1           |                  |                  |                  |                  |                  | 0                | 0                | X <sup>[1]</sup> | X <sup>[1]</sup>                        |  | RF   | pCW  | nCW |
|             |                  |                  |                  |                  |                  |                  |                  |                  | X <sup>[1]</sup>                        |  | RF_n | pCW  | nCW |

[1] X = Do not care.

The following abbreviations have been used in [Table 153](#) and [Table 154](#):

- RF: 13.56 MHz clock derived from 27.12 MHz quartz crystal oscillator divided by 2
- RF\_n: inverted 13.56 MHz clock
- GSPMos: conductance, configuration of the PMOS array
- GSMNmos: conductance, configuration of the NMOS array
- pCW: PMOS conductance value for continuous wave defined by the CWGsPReg register
- pMod: PMOS conductance value for modulation defined by the ModGsPReg register
- nCW: NMOS conductance value for continuous wave defined by the GsNReg register's CWGsN[3:0] bits
- nMod: NMOS conductance value for modulation defined by the GsNReg register's ModGsN[3:0] bits
- X = do not care.

**Remark:** If only one driver is switched on, the values for CWGsPReg, ModGsPReg and GsNReg registers are used for both drivers.

### 11.3 RF level detector

The RF level detector is integrated to fulfill NFCIP1 protocol requirements (e.g. RF collision avoidance). Furthermore the RF level detector can be used to wake up the PN512 and to generate an interrupt.

The sensitivity of the RF level detector is adjustable in a 4-bit range using the bits RFLevel in register RFCfgReg. The sensitivity itself depends on the antenna configuration and tuning.

Possible sensitivity levels at the RX pin are listed in the [Table 154](#).

**Table 155. Setting of the bits RFLevel in register RFCfgReg (RFLevel amplifier deactivated)**

| V~Rx [Vpp] | RFLevel |
|------------|---------|
| ~2         | 1111    |
| ~1.4       | 1110    |
| ~0.99      | 1101    |
| ~0.69      | 1100    |
| ~0.49      | 1011    |
| ~0.35      | 1010    |
| ~0.24      | 1001    |
| ~0.17      | 1000    |
| ~0.12      | 0111    |
| ~0.083     | 0110    |
| ~0.058     | 0101    |
| ~0.041     | 0100    |
| ~0.029     | 0011    |
| ~0.020     | 0010    |
| ~0.014     | 0001    |
| ~0.010     | 0000    |

To increase the sensitivity of the RF level detector an amplifier can be activated by setting the bit RFLevelAmp in register RFCfgReg to 1.

**Remark:** During soft Power-down mode the RF level detector amplifier is automatically switched off to ensure that the power consumption is less than 10  $\mu$ A at 3 V.

**Remark:** With typical antennas lower sensitivity levels can provoke misleading results because of intrinsic noise in the environment.

Note: It is recommended to use the bit RFLevelAmp only with higher RF level settings.

## 11.4 Data mode detector

The Data mode detector gives the possibility to detect received signals according to the ISO/IEC 14443A/MIFARE, FeliCa or NFCIP-1 schemes at the standard transfer speeds for 106 kbit, 212 kbit and 424 kbit in order to prepare the internal receiver in a fast and convenient way for further data processing.

The Data mode detector can only be activated by the AutoColl command. The mode detector resets, when no external RF field is detected by the RF level detector. The Data mode detector could be switched off during the AutoColl command by setting bit ModeDetOff in register ModeReg to 1.



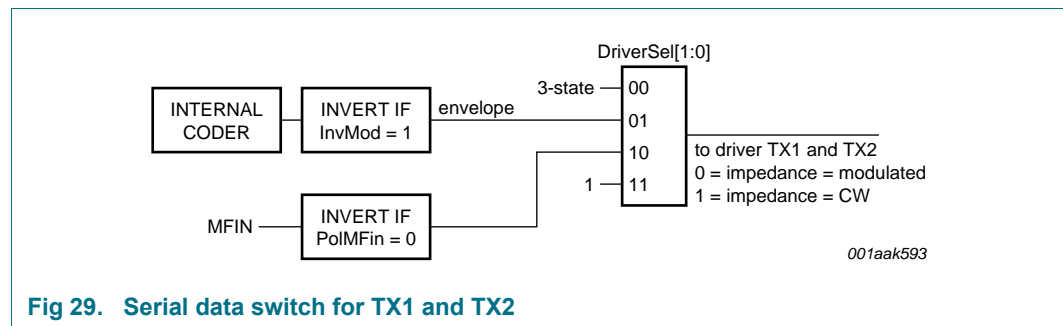
### 11.5 Serial data switch

Two main blocks are implemented in the PN512. The digital block comprises the state machines, encoder/decoder logic. The analog block comprises the modulator and antenna drivers, the receiver and amplifiers. The interface between these two blocks can be configured in the way, that the interfacing signals may be routed to the pins SIGIN and SIGOUT. SIGIN is capable of processing digital NFC signals on transfer speeds above 424 kbit. The SIGOUT pin can provide a digital signal that can be used with an additional external circuit to generate transfer speeds above 424 kbit (including 106, 212 and 424 kbit). Furthermore SIGOUT and SIGIN can be used to enable the S<sup>2</sup>C interface in the card SAM mode to emulate a card functionality with the PN512 and a secure IC. A secure IC can be the SmartMX smart card controller IC.

This topology allows the analog block of the PN512 to be connected to the digital block of another device.

The serial signal switch is controlled by the TxSelReg and RxSelReg registers.

Figure 29 shows the serial data switch for TX1 and TX2.



### 11.6 S<sup>2</sup>C interface support

The S<sup>2</sup>C provides the possibility to directly connect a secure IC to the PN512 in order act as a contactless smart card IC via the PN512. The interfacing signals can be routed to the pins SIGIN and SIGOUT. SIGIN can receive either a digital FeliCa or digitized ISO/IEC 14443A signal sent by the secure IC. The SIGOUT pin can provide a digital signal and a clock to communicate to the secure IC. A secure IC can be the smart card IC provided by NXP Semiconductors.

The PN512 has an extra supply pin (SVDD and PVSS as Ground line) for the SIGIN and SIGOUT pads.

Figure 31 outlines possible ways of communications via the PN512 to the secure IC.





**Fig 30. Communication flows using the S<sup>2</sup>C interface**

Configured in the Secure Access Mode the host controller can directly communicate to the Secure IC via SIGIN/SIGOUT. In this mode the PN512 generates the RF clock and performs the communication on the SIGOUT line. To enable the Secure Access module mode the clock has to be derived by the internal oscillator of the PN512, see bits SAMClockSel in register TestSel1Reg.

Configured in Contactless Card mode the secure IC can act as contactless smart card IC via the PN512. In this mode the signal on the SIGOUT line is provided by the external RF field of the external reader/writer. To enable the Contactless Card mode the clock derived by the external RF field has to be used.

The configuration of the S<sup>2</sup>C interface differs for the FeliCa and MIFARE scheme as outlined in the following chapters.

### 11.6.1 Signal shape for Felica S<sup>2</sup>C interface support

The FeliCa secure IC is connected to the PN512 via the pins SIGOUT and SIGIN.

The signal at SIGOUT contains the information of the 13.56 MHz clock and the digitized demodulated signal. The clock and the demodulated signal is combined by using the logical function exclusive or.

To ensure that this signal is free of spikes, the demodulated signal is digitally filtered first. The time delay for that digital filtering is in the range of one bit length. The demodulated signal changes only at a positive edge of the clock.

The register TxSelReg controls the setting at SIGOUT.



**Fig 31. Signal shape for SIGOUT in FeliCa card SAM mode**

The answer of the FeliCa SAM is transferred from SIGIN directly to the antenna driver. The modulation is done according to the register settings of the antenna drivers.

The clock is switched to AUX1 or AUX2 (see AnalogSelAux).

Note: A HIGH signal on AUX1 and AUX2 has the same level as AVDD. A HIGH signal at SIGOUT has the same level as SVDD. Alternatively it is possible to use pin D0 as clock output if a serial interface is used. The HIGH level at D0 is the same as PVDD.



**Fig 32. Signal shape for SIGIN in SAM mode**

Note: The signal on the antenna is shown in principle only. In reality the waveform is sinusoidal.

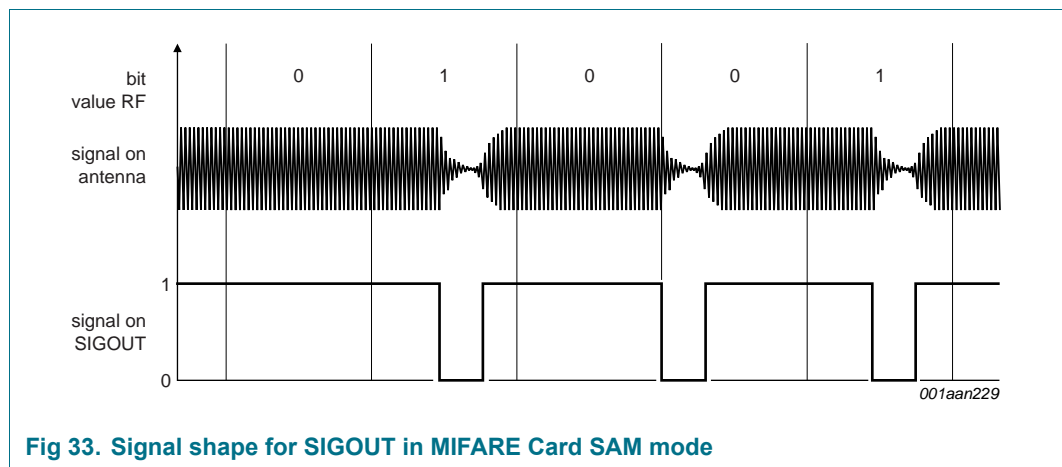
**11.6.2 Waveform shape for ISO/IEC 14443A and MIFARE S<sup>2</sup>C support**

The secure IC, e.g. the SmartMX is connected to the PN512 via the pins SIGOUT and SIGIN.

The waveform shape at SIGOUT is a digital 13.56 MHz Miller coded signal with levels between PVSS and PVDD derived out of the external 13.56 MHz carrier signal in case of the Contactless Card mode or internally generated in terms of Secure Access mode.

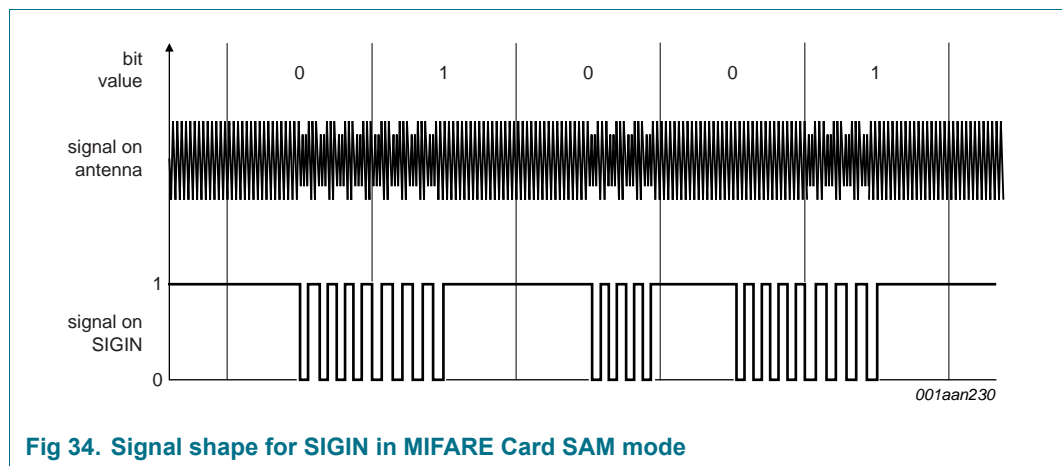
The register TxSelReg controls the setting at SIGOUT.

Note: The clock settings for the Secure Access mode and the Contactless Card mode differ, refer to the description of the bits SAMClockSel in register TestSel1Reg.



**Fig 33. Signal shape for SIGOUT in MIFARE Card SAM mode**

The signal at SIGIN is a digital Manchester coded signal according to the requirements of the ISO/IEC 14443A with the subcarrier frequency of 847.5 kHz generated by the secure IC.



**Fig 34. Signal shape for SIGIN in MIFARE Card SAM mode**

## 11.7 Hardware support for FeliCa and NFC polling

### 11.7.1 Polling sequence functionality for initiator

1. Timer: The PN512 has a timer, which can be programmed in a way that it generates an interrupt at the end of each timeslot, or if required an interrupt is generated at the end of the last timeslot.
2. The receiver can be configured in a way to receive continuously. In this mode it can receive any number of packets. The receiver is ready to receive the next packet directly after the last packet has been received. This mode is active by setting the bit RxMultiple in register RxModeReg to 1 and has to be stopped by software.
3. The internal UART adds one byte to the end of every received packet, before it is transferred into the FIFO-buffer. This byte indicates if the received byte packet is correct (see register ErrReg). The first byte of each packet contains the length byte of the packet.
4. The length of one packet is 18 or 20 bytes (+ 1 byte Error-Info). The FIFO has a length of 64 bytes. This means three packets can be stored in the FIFO at the same time. If more than three packets are expected, the host controller has to empty the FIFO, before the FIFO is filled completely. In case of a FIFO-overflow data is lost (See bit BufferOvfl in register ErrorReg).

### 11.7.2 Polling sequence functionality for target

1. The host controller has to configure the PN512 with the correct polling response parameters for the polling command.
2. To activate the automatic polling in Target mode, the AutoColl Command has to be activated.
3. The PN512 receives the polling command send out by an initiator and answers with the polling response. The timeslot is selected automatically (The timeslot itself is randomly generated, but in the range 0 to TSN, which is defined by the Polling command). The PN512 compares the system code, stored in byte 17 and 18 of the Config Command with the system code received by the polling command of an initiator. If the system code is equal, the PN512 answers according to the configured polling response. The system code FF (hex) acts as a wildcard for the system code bytes, i.e. a target of a system code 1234 (hex) answers to the polling command with one of the following system codes 1234 (hex), 12FF (hex), FF34 (hex) or FFFF (hex). If the system code does not match no answer is sent back by the PN512.

If a valid command is received by the PN512, which is not a Polling command, no answer is sent back and the command AutoColl is stopped. The received packet is stored in the FIFO.

### 11.7.3 Additional hardware support for FeliCa and NFC

Additionally to the polling sequence support for the Felica mode, the PN512 supports the check of the Len-byte.

The received Len-byte in accordance to the registers FeINFC1Reg and FeINFC2Reg:

DataLenMin in register FeINFC1Reg defines the minimum length of the accepted packet length. This register is six bit long. Each bit represents a length of four bytes.

DataLenMax in register FeINFC2Reg defines the maximum length of the accepted package. This register is six bit long. Each bit represents a length of four bytes. If set to logic 1 this limit is ignored. If the length is not in the supposed range, the packet is not transferred to the FIFO and receiving is kept active.

**Example 1:**

- DataLenMin = 4
  - The length shall be greater or equal 16.
- DataLenMax = 5
  - The length shall be smaller than 20. Valid area: 16, 17, 18, 19

**Example 2:**

- DataLenMin = 9
  - The length shall be greater or equal 36.
- DataLenMax = 0
  - The length shall be smaller than 256. Valid area: 36 to 255

### 11.7.4 CRC coprocessor

The following CRC coprocessor parameters can be configured:

- The CRC preset value can be either 0000h, 6363h, A671h or FFFFh depending on the ModeReg register's CRCPreset[1:0] bits setting
- The CRC polynomial for the 16-bit CRC is fixed to  $x^{16} + x^{12} + x^5 + 1$
- The CRCResultReg register indicates the result of the CRC calculation. This register is split into two 8-bit registers representing the higher and lower bytes.
- The ModeReg register's MSBFirst bit indicates that data will be loaded with the MSB first.

**Table 156. CRC coprocessor parameters**

| Parameter           | Value   |
|---------------------|---|
| CRC register length | 16-bit CRC  |
| CRC algorithm       | algorithm according to ISO/IEC 14443 A and ITU-T  |
| CRC preset value    | 0000h, 6363h, A671h or FFFFh depending on the setting of the ModeReg register's CRCPreset[1:0] bits |

## 12. FIFO buffer

An 8 × 64 bit FIFO buffer is used in the PN512. It buffers the input and output data stream between the host and the PN512's internal state machine. This makes it possible to manage data streams up to 64 bytes long without the need to take timing constraints into account.

### 12.1 Accessing the FIFO buffer

The FIFO buffer input and output data bus is connected to the FIFODataReg register. Writing to this register stores one byte in the FIFO buffer and increments the internal FIFO buffer write pointer. Reading from this register shows the FIFO buffer contents stored in the FIFO buffer read pointer and decrements the FIFO buffer read pointer. The distance between the write and read pointer can be obtained by reading the FIFOLevelReg register.

When the microcontroller starts a command, the PN512 can, while the command is in progress, access the FIFO buffer according to that command. Only one FIFO buffer has been implemented which can be used for input and output. The microcontroller must ensure that there are not any unintentional FIFO buffer accesses.

### 12.2 Controlling the FIFO buffer

The FIFO buffer pointers can be reset by setting FIFOLevelReg register's FlushBuffer bit to logic 1. Consequently, the FIFOLevel[6:0] bits are all set to logic 0 and the ErrorReg register's BufferOvfl bit is cleared. The bytes stored in the FIFO buffer are no longer accessible allowing the FIFO buffer to be filled with another 64 bytes.

### 12.3 FIFO buffer status information

The host can get the following FIFO buffer status information:

- Number of bytes stored in the FIFO buffer: FIFOLevelReg register's FIFOLevel[6:0]
- FIFO buffer almost full warning: Status1Reg register's HiAlert bit
- FIFO buffer almost empty warning: Status1Reg register's LoAlert bit
- FIFO buffer overflow warning: ErrorReg register's BufferOvfl bit. The BufferOvfl bit can only be cleared by setting the FIFOLevelReg register's FlushBuffer bit.

The PN512 can generate an interrupt signal when:

- ComEnReg register's LoAlertIEn bit is set to logic 1. It activates pin IRQ when Status1Reg register's LoAlert bit changes to logic 1.
- ComEnReg register's HiAlertIEn bit is set to logic 1. It activates pin IRQ when Status1Reg register's HiAlert bit changes to logic 1.

If the maximum number of WaterLevel bytes (as set in the WaterLevelReg register) or less are stored in the FIFO buffer, the HiAlert bit is set to logic 1. It is generated according to [Equation 3](#):

$$HiAlert = (64 - FIFOLength) \leq WaterLevel \quad (3)$$

If the number of WaterLevel bytes (as set in the WaterLevelReg register) or less are stored in the FIFO buffer, the LoAlert bit is set to logic 1. It is generated according to [Equation 4](#):

$$LoAlert = FIFOLength \leq WaterLevel \quad (4)$$

## 13. Interrupt request system

The PN512 indicates certain events by setting the Status1Reg register's IRq bit and, if activated, by pin IRQ. The signal on pin IRQ can be used to interrupt the host using its interrupt handling capabilities. This allows the implementation of efficient host software.

### 13.1 Interrupt sources overview

[Table 157](#) shows the available interrupt bits, the corresponding source and the condition for its activation. The ComIrqReg register's TimerIRq interrupt bit indicates an interrupt set by the timer unit which is set when the timer decrements from 1 to 0.

The ComIrqReg register's TxIRq bit indicates that the transmitter has finished. If the state changes from sending data to transmitting the end of the frame pattern, the transmitter unit automatically sets the interrupt bit. The CRC coprocessor sets the DivIrqReg register's CRCIRq bit after processing all the FIFO buffer data which is indicated by CRCReady bit = 1.

The ComIrqReg register's RxIRq bit indicates an interrupt when the end of the received data is detected. The ComIrqReg register's IdleIRq bit is set if a command finishes and the Command[3:0] value in the CommandReg register changes to idle (see [Table 158 on page 101](#)).

The ComIrqReg register's HiAlertIRq bit is set to logic 1 when the Status1Reg register's HiAlert bit is set to logic 1 which means that the FIFO buffer has reached the level indicated by the WaterLevel[5:0] bits.

The ComIrqReg register's LoAlertIRq bit is set to logic 1 when the Status1Reg register's LoAlert bit is set to logic 1 which means that the FIFO buffer has reached the level indicated by the WaterLevel[5:0] bits.

The ComIrqReg register's ErrIRq bit indicates an error detected by the contactless UART during send or receive. This is indicated when any bit is set to logic 1 in register ErrorReg.

**Table 157. Interrupt sources**

| Interrupt flag | Interrupt source   | Trigger action                                   |
|----------------|--------------------|--|
| TimerIRq       | timer unit         | the timer counts from 1 to 0                     |
| TxIRq          | transmitter        | a transmitted data stream ends                   |
| CRCIRq         | CRC coprocessor    | all data from the FIFO buffer has been processed |
| RxIRq          | receiver           | a received data stream ends                      |
| IdleIRq        | ComIrqReg register | command execution finishes                       |
| HiAlertIRq     | FIFO buffer        | the FIFO buffer is almost full                   |
| LoAlertIRq     | FIFO buffer        | the FIFO buffer is almost empty                  |
| ErrIRq         | contactless UART   | an error is detected                             |

## 14. Timer unit

A timer unit is implemented in the PN512. The external host controller may use this timer to manage timing relevant tasks. The timer unit may be used in one of the following configurations:

- Time-out counter
- Watch-dog counter
- Stop watch
- Programmable one-shot
- Periodical trigger

The timer unit can be used to measure the time interval between two events or to indicate that a specific event occurred after a specific time. The timer can be triggered by events which will be explained in the following, but the timer itself does not influence any internal event (e.g. A time-out during data reception does not influence the reception process automatically). Furthermore, several timer related bits are set and these bits can be used to generate an interrupt.

### Timer

The timer has an input clock of 13.56 MHz (derived from the 27.12 MHz quartz). The timer consists of two stages: 1 prescaler and 1 counter.

The prescaler is a 12-bit counter. The reload value for TPrescaler can be defined between 0 and 4095 in register TModeReg and TPrescalerReg.

The reload value for the counter is defined by 16 bits in a range of 0 to 65535 in the register TReloadReg.

The current value of the timer is indicated by the register TCounterValReg.

If the counter reaches 0 an interrupt will be generated automatically indicated by setting the TimerIRq bit in the register CommonIRqReg. If enabled, this event can be indicated on the IRQ line. The bit TimerIRq can be set and reset by the host controller. Depending on the configuration the timer will stop at 0 or restart with the value from register TReloadReg.

The status of the timer is indicated by bit TRunning in register Status1Reg.

The timer can be manually started by TStartNow in register ControlReg or manually stopped by TStopNow in register ControlReg.

Furthermore the timer can be activated automatically by setting the bit TAuto in the register TModeReg to fulfill dedicated protocol requirements automatically.

The time delay of a timer stage is the reload value +1.

The definition of total time is:  $t = ((TPrescaler*2+1)*TReload+1)/13.56\text{MHz}$  or if TPrescaleEven bit is set:  $t = ((TPrescaler*2+2)*TReload+1)/13.56\text{MHz}$

Maximum time: TPrescaler = 4095, TReloadVal = 65535  
 $\Rightarrow (2*4095 + 2)*65536/13.56 \text{ MHz} = 39.59 \text{ s}$

### Example:



To indicate 25 us it is required to count 339 clock cycles. This means the value for TPrescaler has to be set to  $TPrescaler = 169$ . The timer has now an input clock of 25 us. The timer can count up to 65535 timeslots of each 25  $\mu$ s. For the behaviour in version 1.0, see [Section 20 "Errata sheet" on page 109](#).

## 15. Power reduction modes

### 15.1 Hard power-down

Hard power-down is enabled when pin NRSTPD is LOW. This turns off all internal current sinks including the oscillator. All digital input buffers are separated from the input pins and clamped internally (except pin NRSTPD). The output pins are frozen at either a HIGH or LOW level.

### 15.2 Soft power-down mode

Soft Power-down mode is entered immediately after the CommandReg register's PowerDown bit is set to logic 1. All internal current sinks are switched off, including the oscillator buffer. However, the digital input buffers are not separated from the input pins and keep their functionality. The digital output pins do not change their state.

During soft power-down, all register values, the FIFO buffer content and the configuration keep their current contents.

After setting the PowerDown bit to logic 0, it takes 1024 clocks until the Soft power-down mode is exited indicated by the PowerDown bit. Setting it to logic 0 does not immediately clear it. It is cleared automatically by the PN512 when Soft power-down mode is exited.

**Remark:** If the internal oscillator is used, you must take into account that it is supplied by pin AVDD and it will take a certain time ( $t_{osc}$ ) until the oscillator is stable and the clock cycles can be detected by the internal logic. It is recommended for the serial UART, to first send the value 55h to the PN512. The oscillator must be stable for further access to the registers. To ensure this, perform a read access to address 0 until the PN512 answers to the last read command with the register content of address 0. This indicates that the PN512 is ready.

### 15.3 Transmitter power-down mode

The Transmitter Power-down mode switches off the internal antenna drivers thereby, turning off the RF field. Transmitter power-down mode is entered by setting either the TxControlReg register's Tx1RFEn bit or Tx2RFEn bit to logic 0.

## 16. Oscillator circuitry

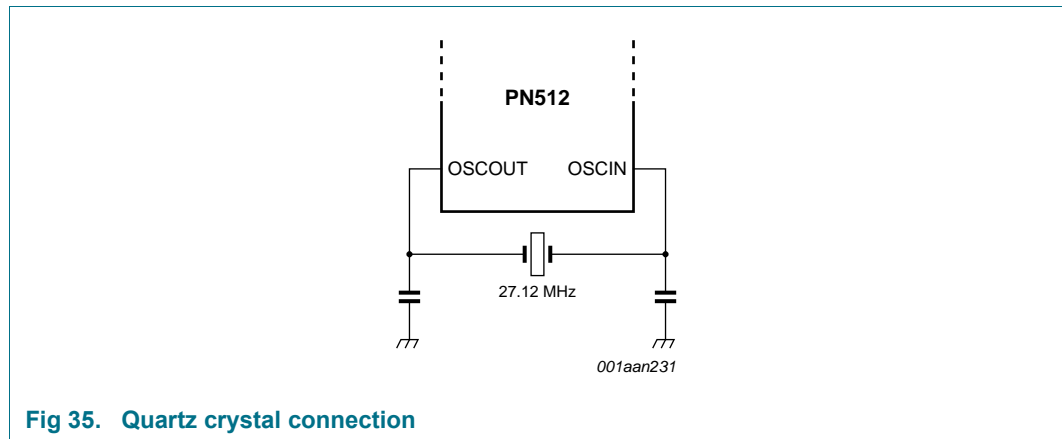


Fig 35. Quartz crystal connection

The clock applied to the PN512 provides a time basis for the synchronous system's encoder and decoder. The stability of the clock frequency, therefore, is an important factor for correct operation. To obtain optimum performance, clock jitter must be reduced as much as possible. This is best achieved using the internal oscillator buffer with the recommended circuitry.

If an external clock source is used, the clock signal must be applied to pin OSCIN. In this case, special care must be taken with the clock duty cycle and clock jitter and the clock quality must be verified.

## 17. Reset and oscillator start-up time

### 17.1 Reset timing requirements

The reset signal is filtered by a hysteresis circuit and a spike filter before it enters the digital circuit. The spike filter rejects signals shorter than 10 ns. In order to perform a reset, the signal must be LOW for at least 100 ns.

### 17.2 Oscillator start-up time

If the PN512 has been set to a Power-down mode or is powered by a  $V_{DDX}$  supply, the start-up time for the PN512 depends on the oscillator used and is shown in [Figure 36](#).

The time ( $t_{\text{startup}}$ ) is the start-up time of the crystal oscillator circuit. The crystal oscillator start-up time is defined by the crystal.

The time ( $t_d$ ) is the internal delay time of the PN512 when the clock signal is stable before the PN512 can be addressed.

The delay time is calculated by:

$$t_d = \frac{1024}{27 \mu\text{s}} = 37.74 \mu\text{s} \quad (5)$$

The time ( $t_{\text{osc}}$ ) is the sum of  $t_d$  and  $t_{\text{startup}}$ .



## 18. PN512 command set

The PN512 operation is determined by a state machine capable of performing a set of commands. A command is executed by writing a command code (see [Table 158](#)) to the CommandReg register.

Arguments and/or data necessary to process a command are exchanged via the FIFO buffer.

### 18.1 General description

The PN512 operation is determined by a state machine capable of performing a set of commands. A command is executed by writing a command code (see [Table 158](#)) to the CommandReg register.

Arguments and/or data necessary to process a command are exchanged via the FIFO buffer.

### 18.2 General behavior

- Each command that needs a data bit stream (or data byte stream) as an input immediately processes any data in the FIFO buffer. An exception to this rule is the Transceive command. Using this command, transmission is started with the BitFramingReg register's StartSend bit.
- Each command that needs a certain number of arguments, starts processing only when it has received the correct number of arguments from the FIFO buffer.
- The FIFO buffer is not automatically cleared when commands start. This makes it possible to write command arguments and/or the data bytes to the FIFO buffer and then start the command.
- Each command can be interrupted by the host writing a new command code to the CommandReg register, for example, the Idle command.

## 18.3 PN512 command overview

Table 158. Command overview

| Command           | Command code | Action  |
|-------------------|--------------|---|
| Idle              | 0000         | no action, cancels current command execution  |
| Configure         | 0001         | Configures the PN512 for FeliCa, MIFARE and NFCIP-1 communication   |
| Generate RandomID | 0010         | generates a 10-byte random ID number  |
| CalcCRC           | 0011         | activates the CRC coprocessor or performs a self test   |
| Transmit          | 0100         | transmits data from the FIFO buffer   |
| NoCmdChange       | 0111         | no command change, can be used to modify the CommandReg register bits without affecting the command, for example, the PowerDown bit |
| Receive           | 1000         | activates the receiver circuits   |
| Transceive        | 1100         | transmits data from FIFO buffer to antenna and automatically activates the receiver after transmission                              |
| AutoColl          | 1101         | Handles FeliCa polling (Card Operation mode only) and MIFARE anticollision (Card Operation mode only)                               |
| MFAuthent         | 1110         | performs the MIFARE standard authentication as a reader   |
| SoftReset         | 1111         | resets the PN512  |

### 18.3.1 PN512 command descriptions

#### 18.3.1.1 Idle

Places the PN512 in Idle mode. The Idle command also terminates itself.

#### 18.3.1.2 Config command

To use the automatic MIFARE Anticollision, FeliCa Polling and NFCID3 the data used for these transactions has to be stored internally. All the following data have to be written to the FIFO in this order:

SENS\_RES (2 bytes); in order byte 0, byte 1

NFCID1 (3 Bytes); in order byte 0, byte 1, byte 2; the first NFCID1 byte is fixed to 08h and the check byte is calculated automatically.

SEL\_RES (1 Byte)

polling response (2 bytes (shall be 01h, FEh) + 6 bytes NFCID2 + 8 bytes Pad + 2 bytes system code)

NFCID3 (1 byte)

In total 25 bytes are transferred into an internal buffer.

The complete NFCID3 is 10 bytes long and consists of the 3 NFCID1 bytes, the 6 NFCID2 bytes and the one NFCID3 byte which are listed above.

To read out this configuration the command Config with an empty FIFO-buffer has to be started. In this case the 25 bytes are transferred from the internal buffer to the FIFO.

The PN512 has to be configured after each power up, before using the automatic Anticollision/Polling function (AutoColl command). During a hard power down (reset pin) this configuration remains unchanged.

This command terminates automatically when finished and the active command is idle.

#### 18.3.1.3 Generate RandomID

This command generates a 10-byte random number which is initially stored in the internal buffer. This then overwrites the 10 bytes in the internal 25-byte buffer. This command automatically terminates when finished and the PN512 returns to Idle mode.

#### 18.3.1.4 CalcCRC

The FIFO buffer content is transferred to the CRC coprocessor and the CRC calculation is started. The calculation result is stored in the CRCResultReg register. The CRC calculation is not limited to a dedicated number of bytes. The calculation is not stopped when the FIFO buffer is empty during the data stream. The next byte written to the FIFO buffer is added to the calculation.

The CRC preset value is controlled by the ModeReg register's CRCPreset[1:0] bits. The value is loaded in to the CRC coprocessor when the command starts.

This command must be terminated by writing a command to the CommandReg register, such as, the Idle command.

If the AutoTestReg register's SelfTest[3:0] bits are set correctly, the PN512 enters Self Test mode. Starting the CalcCRC command initiates a digital self test. The result of the self test is written to the FIFO buffer.

#### 18.3.1.5 Transmit

The FIFO buffer content is immediately transmitted after starting this command. Before transmitting the FIFO buffer content, all relevant registers must be set for data transmission.

This command automatically terminates when the FIFO buffer is empty. It can be terminated by another command written to the CommandReg register.

#### 18.3.1.6 NoCmdChange

This command does not influence any running command in the CommandReg register. It can be used to manipulate any bit except the CommandReg register Command[3:0] bits, for example, the RcvOff bit or the PowerDown bit.

#### 18.3.1.7 Receive

The PN512 activates the receiver path and waits for a data stream to be received. The correct settings must be chosen before starting this command.

This command automatically terminates when the data stream ends. This is indicated either by the end of frame pattern or by the length byte depending on the selected frame type and speed.

**Remark:** If the RxModeReg register's RxMultiple bit is set to logic 1, the Receive command will not automatically terminate. It must be terminated by starting another command in the CommandReg register.

### 18.3.1.8 Transceive

This command continuously repeats the transmission of data from the FIFO buffer and the reception of data from the RF field. The first action is transmit and after transmission the command is changed to receive a data stream.

Each transmit process must be started by setting the BitFramingReg register's StartSend bit to logic 1. This command must be cleared by writing any command to the CommandReg register.

**Remark:** If the RxModeReg register's RxMultiple bit is set to logic 1, the Transceive command never leaves the receive state because this state cannot be cancelled automatically.

### 18.3.1.9 AutoColl

This command automatically handles the MIFARE activation and the FeliCa polling in the Card Operation mode. The bit Initiator in the register ControlReg has to be set to logic 0 for correct operation. During this command also the mode detector is active if not deactivated by setting the bit ModeDetOff in the ModeReg register. After the mode detector detects a mode, all the mode dependent registers are set according to the received data. In case of no external RF field the command resets the internal state machine and returns to the initial state but it will not be terminated. When the command terminates the transceive command gets active.

During protocol processing the IRQ bits are not supported. Only the last received frame will serve the IRQ's. The treatment of the TxCRCEn and RxCRCEn bits is different to the protocol. During ISO/IEC 14443A activation the enable bits are defined by the command AutoColl. The changes cannot be observed at the register TXModeReg and RXModeReg. After the Transceive command is active, the value of the register bit is relevant.

The FIFO will also receive the two CRC check bytes of the last command even if they already checked and correct, if the state machine (Anticollision and Select routine) has to not been executed and 106 kbit is detected.

During Felica activation the register bit is always relevant and is not overruled by the command settings. This command can be cleared by software by writing any other command to the CommandReg register, e.g. the idle command. Writing the same content again to the CommandReg register resets the state machine.



Fig 37. Autocoll Command

**NFCIP-1 106 kbps Passive Communication mode:**

The MIFARE anticollision is finished and the command has automatically changed to Transceive. The FIFO contains the ATR\_REQ frame including the start byte F0h. The bit TargetActivated in the Status2Reg register is set to logic 1.

**NFCIP-1 212/424 kbps Passive Communication mode:**

The FeliCa polling command is finished and the command has automatically changed to Transceive. The FIFO contains the ATR\_REQ. The bit TargetActivated in the Status2Reg register is set to logic 1.

**NFCIP-1 106/212/424 kbps Active Communication mode:**

This command is changing the automatically to the command Transceive. The FIFO contains the ATR REQ The bit TargetActivated in the Status2Reg register is set to logic 0. For 106 kbps only, the first byte in the FIFO indicates the start byte F0h and the CRC is added to the FIFO.



**MIFARE (Card Operation mode):**

The MIFARE anticollision is finished and the command has automatically changed to transceive. The FIFO contains the first command after the Select. The bit TargetActivated in the Status2Reg register is set to logic 1.

**Felica (Card Operation mode):**

The FeliCa polling command is finished and the command has automatically changed to transceive. The FIFO contains the first command followed after the Poling by the FeliCa protocol. The bit TargetActivated in the Status2Reg register is set to logic 1.

**18.3.1.10 MFAuthent**

This command manages MIFARE authentication to enable a secure communication to any MIFARE Mini, MIFARE 1K and MIFARE 4K card. The following data is written to the FIFO buffer before the command can be activated:

- Authentication command code (60h, 61h)
- Block address
- Sector key byte 0
- Sector key byte 1
- Sector key byte 2
- Sector key byte 3
- Sector key byte 4
- Sector key byte 5
- Card serial number byte 0
- Card serial number byte 1
- Card serial number byte 2
- Card serial number byte 3

In total 12 bytes are written to the FIFO.

**Remark:** When the MFAuthent command is active all access to the FIFO buffer is blocked. However, if there is access to the FIFO buffer, the ErrorReg register's WrErr bit is set.

This command automatically terminates when the MIFARE card is authenticated and the Status2Reg register's MFCrypto1On bit is set to logic 1.

This command does not terminate automatically if the card does not answer, so the timer must be initialized to automatic mode. In this case, in addition to the IdleIRq bit, the TimerIRq bit can be used as the termination criteria. During authentication processing, the RxIRq bit and TxIRq bit are blocked. The Crypto1On bit is only valid after termination of the MFAuthent command, either after processing the protocol or writing Idle to the CommandReg register.

If an error occurs during authentication, the ErrorReg register's ProtocolErr bit is set to logic 1 and the Status2Reg register's Crypto1On bit is set to logic 0.

#### 18.3.1.11 SoftReset

This command performs a reset of the device. The configuration data of the internal buffer remains unchanged. All registers are set to the reset values. This command automatically terminates when finished.

**Remark:** The SerialSpeedReg register is reset and therefore the serial data rate is set to 9.6 kBd.

## 19. Testsignals

### 19.1 Selftest

The PN512 has the capability to perform a digital selftest. To start the selftest the following procedure has to be performed:

1. Perform a soft reset.
2. Clear the internal buffer by writing 25 bytes of 00h and perform the Config Command.
3. Enable the Selftest by writing the value 09h to the register AutoTestReg.
4. Write 00h to the FIFO.
5. Start the Selftest with the CalcCRC Command.
6. The Selftest will be performed.
7. When the Selftest is finished, the FIFO contains the following bytes:

Version 1.0 has a different Selftest answer, explained in [Section 20](#).

Correct answer for VersionReg equal to 82h:

```
00h, EBh, 66h, BAh, 57h, BFh, 23h, 95h, D0h, E3h, 0Dh, 3Dh, 27h, 89h, 5Ch, DEh,
9Dh, 3Bh, A7h, 00h, 21h, 5Bh, 89h, 82h, 51h, 3Ah, EBh, 02h, 0Ch, A5h, 00h,
49h, 7Ch, 84h, 4Dh, B3h, CCh, D2h, 1Bh, 81h, 5Dh, 48h, 76h, D5h, 71h, 61h,
21h, A9h, 86h, 96h, 83h, 38h, CFh, 9Dh, 5Bh, 6Dh, DCh, 15h, BAh, 3Eh, 7Dh,
95h, 3Bh, 2Fh
```

### 19.2 Testbus

The testbus is implemented for production test purposes. The following configuration can be used to improve the design of a system using the PN512. The testbus allows to route internal signals to the digital interface. The testbus signals are selected by accessing TestBusSel in register TestSel2Reg.

**Table 159. Testsignal routing (TestSel2Reg = 07h)**

| Pins       | D6    | D5    | D4     | D3    | D2        | D1             | D0       |
|------------|-------|-------|--------|-------|-----------|----------------|----------|
| Testsignal | sdata | scoll | svalid | sover | RCV_reset | RFon, filtered | Envelope |

**Table 160. Description of Testsignals**

| Pins | Testsignal     | Description   |
|------|----------------|---|
| D6   | sdata          | shows the actual received data stream.  |
| D5   | scoll          | shows if in the actual bit a collision has been detected (106 kbit only)                  |
| D4   | svalid         | shows if sdata and scoll are valid  |
| D3   | sover          | shows that the receiver has detected a stop condition (ISO/IEC 14443A/ MIFARE mode only). |
| D2   | RCV_reset      | shows if the receiver is reset  |
| D1   | RFon, filtered | shows the value of the internal RF level detector   |
| D0   | Envelope       | shows the output of the internal coder  |

**Table 161. Testsignal routing (TestSel2Reg = 0Dh)**

| Pins       | D6        | D5      | D4        | D3          | D2    | D1      | D0      |
|------------|-----------|---------|-----------|-------------|-------|---------|---------|
| Testsignal | clkstable | clk27/8 | clk27rf/8 | clkrf13rf/4 | clk27 | clk27rf | clk13rf |

**Table 162. Description of Testsignals**

| Pins | Testsignal | Description  |
|------|------------|--|
| D6   | clkstable  | shows if the oscillator delivers a stable signal.      |
| D5   | clk27/8    | shows the output signal of the oscillator divided by 8 |
| D4   | clk27rf/8  | shows the clk27rf signal divided by 8                  |
| D3   | clkrf13/4  | shows the clk13rf divided by 4.                        |
| D2   | clk27      | shows the output signal of the oscillator              |
| D1   | clk27rf    | shows the RF clock multiplied by 2.                    |
| D0   | clk13rf    | shows the RF clock of 13.56 MHz                        |

**Table 163. Testsignal routing (TestSel2Reg = 19h)**

| Pins       | D6 | D5       | D4 | D3 | D2 | D1 | D0 |
|------------|----|----------|----|----|----|----|----|
| Testsignal | -  | TRunning | -  | -  | -  | -  | -  |

**Table 164. Description of Testsignals**

| Pins | Testsignal | Description  |
|------|------------|--|
| D6   | -          | -  |
| D5   | TRunning   | TRunning stops 1 clockcycle after TimerIRQ is raised |
| D4   | -          | -  |
| D3   | -          | -  |
| D2   | -          | -  |
| D1   | -          | -  |
| D0   | -          | -  |

## 19.3 Testsignals at pin AUX

**Table 165. Testsignals description**

| SelAux | Description for Aux1 / Aux2               |
|--------|---|
| 0000   | Tristate                                  |
| 0001   | DAC: register TestDAC 1/2                 |
| 0010   | DAC: testsignal corr1                     |
| 0011   | DAC: testsignal corr2                     |
| 0100   | DAC: testsignal MinLevel                  |
| 0101   | DAC: ADC_I                                |
| 0110   | DAC: ADC_Q                                |
| 0111   | DAC: testsignal ADC_I combined with ADC_Q |
| 1000   | Testsignal for production test            |
| 1001   | SAM clock                                 |
| 1010   | High                                      |
| 1011   | low                                       |
| 1100   | TxActive                                  |

Table 165. Testsignals description

| SelAux | Description for Aux1 / Aux2 |
|--------|-----------------------------|
| 1101   | RxActive                    |
| 1110   | Subcarrier detected         |
| 1111   | TstBusBit                   |

Each signal can be switched to pin AUX1 or AUX2 by setting SelAux1 or SelAux2 in the register AnalogTestReg.

Note: The DAC has a current output, it is recommended to use a 1 k $\Omega$  pull-down resistance at pins AUX1/AUX2.

## 19.4 PRBS

Enables the PRBS9 or PRBS15 sequence according to ITU-TO150. To start the transmission of the defined datastream the command send has to be activated. The preamble/Sync byte/start bit/parity bit are generated automatically depending on the selected mode.

Note: All relevant register to transmit data have to be configured before entering PRBS mode according ITU-TO150.

## 20. Errata sheet

This data sheet is describing the functionality for version 2.0 and the industrial version.

This chapter lists all differences from version 1.0 to version 2.0:

The value of the version in [Section 8.2.4.8](#) is set to 80h.

The behaviour 'RFU' for the register is undefined.

The answer to the Selftest (see [Section 19.1](#)) for version 1.0 (VersionReg equal to 80h):

00h, AAh, E3h, 29h, 0Ch, 10h, 29zh, 6Bh,  
 76h, 8Dh, AFh, 4Bh, A2h, DAh, 76h, 99h  
 C7h, 5Eh, 24h, 69h, D2h, BAh, FAh, BCh  
 3Eh, DAh, 96h, B5h, F5h, 94h, B0h, 3Ah  
 4Eh, C3h, 9Dh, 94h, 76h, 4Ch, EAh, 5Eh  
 38h, 10h, 8Fh, 2Dh, 21h, 4Bh, 52h, BFh  
 4Eh, C3h, 9Dh, 94h, 76h, 4Ch, EAh, 5Eh  
 38h, 10h, 8Fh, 2Dh, 21h, 4Bh, 52h, BFh  
 FBh, F4h, 19h, 94h, 82h, 5Ah, 72h, 9Dh  
 BAh, 0Dh, 1Fh, 17h, 56h, 22h, B9h, 08h

Only the default setting for the prescaler (see [Section 14 "Timer unit" on page 96](#)):  $t = ((TPreScaler*2+1)*TReload+1)/13,56$  MHz is supported. As such only the formula  $f_{Timer} = 13,56 \text{ MHz}/(2*PreScaler+1)$  is applicable for the TPrescalerHigh in [Table 100 "Description of TModeReg bits" on page 57](#) and TPrescalerLo in [Table 101 "TPrescalerReg register \(address 2Bh\); reset value: 00h, 00000000b" on page 58](#). As there is no option for the prescaler available, also the TPrescalEven is not available [Section 8.2.2.10 on page 45](#). This bit is set to 'RFU'.

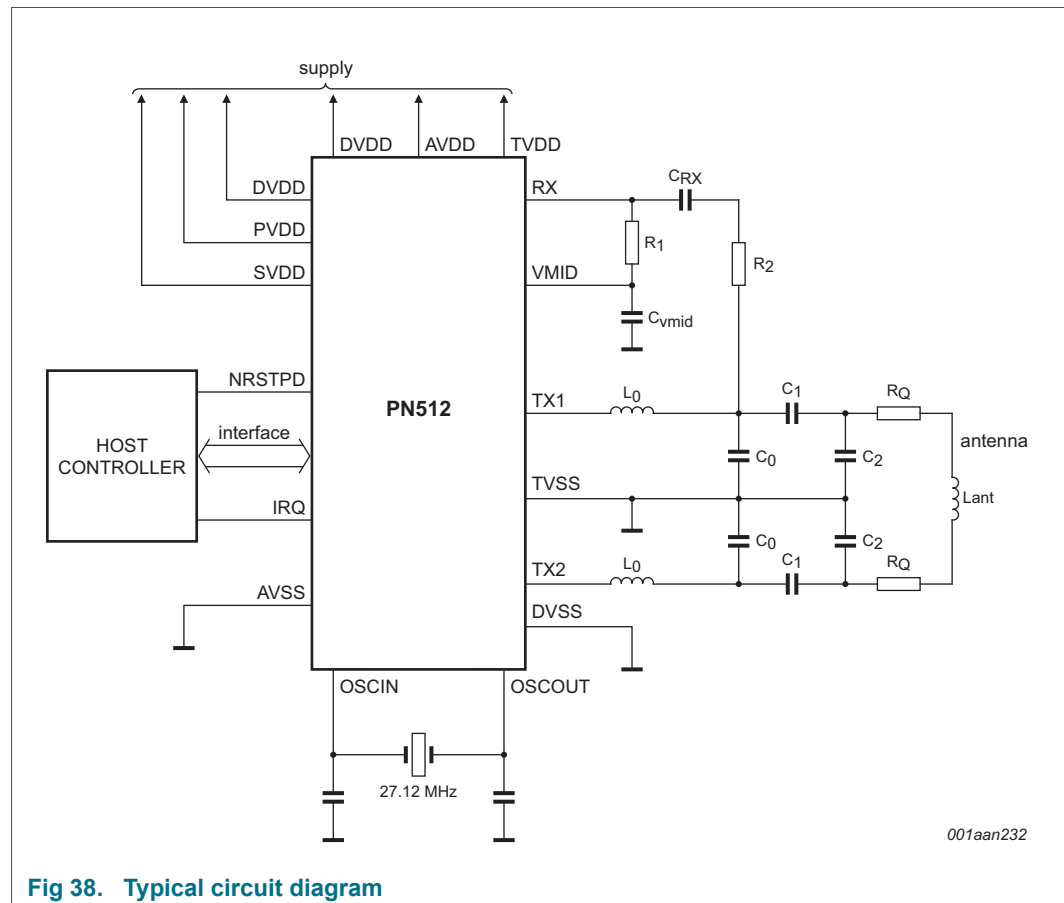
Especially when using time slot protocols, it is needed that the error flag is copied into the status information of the frame. When using the RxMultiple feature (see [Section 8.2.2.4 on page 39](#)) within version 1.0 the protocol error flag is not included in the status information for the frame. In addition the CRCOk is copied instead of the CRCErr. This can be a problem in frames without length information e.g. ISO/IEC 14443-B.

The version 1.0 does not accept a Type B EOF if there is no 1 bit after the series of 0 bits, as such the configuration within [Section 8.2.2.15 "TypeBReg" on page 50](#) bit 4 for RxEOFReq does not exist. In addition the IC only has the possibility to select the minimum or maximum timings for SOF/EOF generation defined in ISO/IEC14443B. As such the configuration possible in version 2.0 through the EOFSOFAdjust bit (see [Section 8.2.4.7 "AutoTestReg" on page 64](#)) does not exist and the configuration is limited to only setting minimum and maximum length according ISO/IEC 14443-B, see [Section 8.2.2.15 "TypeBReg" on page 50](#), bit 4.

## 21. Application design-in information

The figure below shows a typical circuit diagram, using a complementary antenna connection to the PN512.

The antenna tuning and RF part matching is described in the application note "NFC Transmission Module Antenna and RF Design Guide".



## 22. Limiting values

**Table 166. Limiting values**

In accordance with the Absolute Maximum Rating System (IEC 60134).

| Symbol                                 | Parameter                       | Conditions   | Min                         | Max                         | Unit |
|--|---------------------------------|--|-----------------------------|-----------------------------|------|
| V <sub>DDA</sub>                       | analog supply voltage           |  | -0.5                        | +4.0                        | V    |
| V <sub>DDD</sub>                       | digital supply voltage          |  | -0.5                        | +4.0                        | V    |
| V <sub>DD(PVDD)</sub>                  | PVDD supply voltage             |  | -0.5                        | +4.0                        | V    |
| V <sub>DD(TVDD)</sub>                  | TVDD supply voltage             |  | -0.5                        | +4.0                        | V    |
| V <sub>DD(SVDD)</sub>                  | SVDD supply voltage             |  | -0.5                        | +4.0                        | V    |
| V <sub>I</sub>                         | input voltage                   | all input pins except pins SIGIN and RX            | V <sub>SS(PVSS)</sub> - 0.5 | V <sub>DD(PVDD)</sub> + 0.5 | V    |
|  |                                 | pin MFIN   | V <sub>SS(PVSS)</sub> - 0.5 | V <sub>DD(SVDD)</sub> + 0.5 | V    |
| P <sub>tot</sub>                       | total power dissipation         | per package; and V <sub>DDD</sub> in shortcut mode | -                           | 200                         | mW   |
| T <sub>j</sub>                         | junction temperature            |  | -                           | 125                         | °C   |
| V <sub>ESD</sub>                       | electrostatic discharge voltage | HBM; 1500 Ω, 100 pF; JESD22-A114-B                 | -                           | 2000                        | V    |
|  |                                 | MM; 0.75 μH, 200 pF; JESD22-A114-A                 | -                           | 200                         | V    |
|  |                                 | Charged device model; JESD22-C101-A                |                             |                             |      |
|  |                                 | on all pins  | -                           | 200                         | V    |
|  |                                 | on all pins except SVDD in TFBGA64 package         | -                           | 500                         | V    |
| <b>Industrial version PN512AA0HN1:</b> |                                 |  |                             |                             |      |
| V <sub>ESD</sub>                       | electrostatic discharge voltage | HBM; 1500 Ω, 100 pF; JESD22-A114-B                 | -                           | 2000                        | V    |
|  |                                 | MM; 0.75 μH, 200 pF; JESD22-A114-A                 | -                           | 200                         | V    |
|  |                                 | Charged device model; AEC-Q100-011                 |                             |                             |      |
|  |                                 | on all pins  | -                           | 200                         | V    |
|  |                                 | on all pins except SVDD                            | -                           | 500                         | V    |

## 23. Recommended operating conditions

**Table 167. Operating conditions**

| Symbol                | Parameter              | Conditions   |        | Min | Typ | Max | Unit |
|-----------------------|------------------------|--|--------|-----|-----|-----|------|
| V <sub>DDA</sub>      | analog supply voltage  | V <sub>DD(PVDD)</sub> ≤ V <sub>DDA</sub> = V <sub>DDD</sub> = V <sub>DD(TVDD)</sub> ;<br>V <sub>SSA</sub> = V <sub>SSD</sub> = V <sub>SS(PVSS)</sub> = V <sub>SS(TVSS)</sub> = 0 V | [1][2] | 2.5 | -   | 3.6 | V    |
| V <sub>DDD</sub>      | digital supply voltage | V <sub>DD(PVDD)</sub> ≤ V <sub>DDA</sub> = V <sub>DDD</sub> = V <sub>DD(TVDD)</sub> ;<br>V <sub>SSA</sub> = V <sub>SSD</sub> = V <sub>SS(PVSS)</sub> = V <sub>SS(TVSS)</sub> = 0 V | [1][2] | 2.5 | -   | 3.6 | V    |
| V <sub>DD(TVDD)</sub> | TVDD supply voltage    | V <sub>DD(PVDD)</sub> ≤ V <sub>DDA</sub> = V <sub>DDD</sub> = V <sub>DD(TVDD)</sub> ;<br>V <sub>SSA</sub> = V <sub>SSD</sub> = V <sub>SS(PVSS)</sub> = V <sub>SS(TVSS)</sub> = 0 V | [1][2] | 2.5 | -   | 3.6 | V    |

Table 167. Operating conditions ...continued

| Symbol                                 | Parameter           | Conditions   | Min     | Typ | Max | Unit |
|--|---------------------|--|---------|-----|-----|------|
| V <sub>DD(PVDD)</sub>                  | PVDD supply voltage | V <sub>DD(PVDD)</sub> ≤ V <sub>DDA</sub> = V <sub>DDD</sub> = V <sub>DD(TVDD)</sub> ;<br>V <sub>SSA</sub> = V <sub>SSD</sub> = V <sub>SS(PVSS)</sub> = V <sub>SS(TVSS)</sub> = 0 V | [3] 1.6 | -   | 3.6 | V    |
| V <sub>DD(SVDD)</sub>                  | SVDD supply voltage | V <sub>SSA</sub> = V <sub>SSD</sub> = V <sub>SS(PVSS)</sub> = V <sub>SS(TVSS)</sub> = 0 V  | 1.6     | -   | 3.6 | V    |
| T <sub>amb</sub>                       | ambient temperature | HVQFN32, HVQFN40, TFBGA64  | -30     | -   | +85 | °C   |
| <b>Industrial version PN512AA0HN1:</b> |                     |  |         |     |     |      |
| T <sub>amb</sub>                       | ambient temperature | HVQFN32  | -40     | -   | +90 | °C   |

[1] Supply voltages below 3 V reduce the performance (the achievable operating distance).

[2] V<sub>DDA</sub>, V<sub>DDD</sub> and V<sub>DD(TVDD)</sub> must always be the same voltage.

[3] V<sub>DD(PVDD)</sub> must always be the same or lower voltage than V<sub>DDD</sub>.

## 24. Thermal characteristics

Table 168. Thermal characteristics

| Symbol             | Parameter                                   | Conditions  | Package | Typ  | Unit |
|--------------------|---|---|---------|------|------|
| R <sub>thj-a</sub> | Thermal resistance from junction to ambient | In still air with exposed pad soldered on a 4 layer Jedec PCB | HVQFN32 | 40   | K/W  |
|                    |   | In still air  | HVQFN40 | 35   | K/W  |
|                    |   |   | TFBGA64 | 46.9 | K/W  |

## 25. Characteristics

Table 169. Characteristics

| Symbol                       | Parameter                | Conditions  | Min                      | Typ | Max                      | Unit |
|------------------------------|--------------------------|---|--------------------------|-----|--------------------------|------|
| <b>Input characteristics</b> |                          |   |                          |     |                          |      |
| Pins A0, A1 and NRSTPD       |                          |   |                          |     |                          |      |
| I <sub>LI</sub>              | input leakage current    |   | -1                       | -   | +1                       | μA   |
| V <sub>IH</sub>              | HIGH-level input voltage |   | 0.7V <sub>DD(PVDD)</sub> | -   | -                        | V    |
| V <sub>IL</sub>              | LOW-level input voltage  |   | -                        | -   | 0.3V <sub>DD(PVDD)</sub> | V    |
| Pin SIGIN                    |                          |   |                          |     |                          |      |
| I <sub>LI</sub>              | input leakage current    |   | -1                       | -   | +1                       | μA   |
| V <sub>IH</sub>              | HIGH-level input voltage |   | 0.7V <sub>DD(SVDD)</sub> | -   | -                        | V    |
| V <sub>IL</sub>              | LOW-level input voltage  |   | -                        | -   | 0.3V <sub>DD(SVDD)</sub> | V    |
| Pin ALE                      |                          |   |                          |     |                          |      |
| I <sub>LI</sub>              | input leakage current    |   | -1                       | -   | +1                       | μA   |
| V <sub>IH</sub>              | HIGH-level input voltage |   | 0.7V <sub>DD(PVDD)</sub> | -   | -                        | V    |
| V <sub>IL</sub>              | LOW-level input voltage  |   | -                        | -   | 0.3V <sub>DD(PVDD)</sub> | V    |
| Pin RX[1]                    |                          |   |                          |     |                          |      |
| V <sub>i</sub>               | input voltage            |   | -1                       | -   | V <sub>DDA</sub> + 1     | V    |
| C <sub>i</sub>               | input capacitance        | V <sub>DDA</sub> = 3 V; receiver active;<br>V <sub>RX(p-p)</sub> = 1 V; 1.5 V (DC) offset | -                        | 10  | -                        | pF   |



Table 169. Characteristics ...continued

| Symbol                                    | Parameter                          | Conditions  | Min                  | Typ | Max                  | Unit          |
|---|------------------------------------|---|----------------------|-----|----------------------|---------------|
| $R_i$                                     | input resistance                   | $V_{DDA} = 3\text{ V}$ ; receiver active;<br>$V_{RX(p-p)} = 1\text{ V}$ ; 1.5 V (DC) offset | -                    | 350 | -                    | $\Omega$      |
| <i>Input voltage range; see Figure 39</i> |                                    |   |                      |     |                      |               |
| $V_{i(p-p)(min)}$                         | minimum peak-to-peak input voltage | Manchester encoded;<br>$V_{DDA} = 3\text{ V}$   | -                    | 100 | -                    | mV            |
| $V_{i(p-p)(max)}$                         | maximum peak-to-peak input voltage | Manchester encoded;<br>$V_{DDA} = 3\text{ V}$   | -                    | 4   | -                    | V             |
| <i>Input sensitivity; see Figure 39</i>   |                                    |   |                      |     |                      |               |
| $V_{mod}$                                 | modulation voltage                 | minimum Manchester encoded;<br>$V_{DDA} = 3\text{ V}$ ;<br>$RxGain[2:0] = 111b$ (48 dB)     | -                    | 5   | -                    | mV            |
| <b>Pin OSCIN</b>                          |                                    |   |                      |     |                      |               |
| $I_{LI}$                                  | input leakage current              |   | -1                   | -   | +1                   | $\mu\text{A}$ |
| $V_{IH}$                                  | HIGH-level input voltage           |   | $0.7V_{DDA}$         | -   | -                    | V             |
| $V_{IL}$                                  | LOW-level input voltage            |   | -                    | -   | $0.3V_{DDA}$         | V             |
| $C_i$                                     | input capacitance                  | $V_{DDA} = 2.8\text{ V}$ ; DC = 0.65 V;<br>AC = 1 V (p-p)                                   | -                    | 2   | -                    | pF            |
| <b>Input/output characteristics</b>       |                                    |   |                      |     |                      |               |
| pins D1, D2, D3, D4, D5, D6 and D7        |                                    |   |                      |     |                      |               |
| $I_{LI}$                                  | input leakage current              |   | -1                   | -   | +1                   | $\mu\text{A}$ |
| $V_{IH}$                                  | HIGH-level input voltage           |   | $0.7V_{DD(PVDD)}$    | -   | -                    | V             |
| $V_{IL}$                                  | LOW-level input voltage            |   | -                    | -   | $0.3V_{DD(PVDD)}$    | V             |
| $V_{OH}$                                  | HIGH-level output voltage          | $V_{DD(PVDD)} = 3\text{ V}$ ; $I_O = 4\text{ mA}$   | $V_{DD(PVDD)} - 0.4$ | -   | $V_{DD(PVDD)}$       | V             |
| $V_{OL}$                                  | LOW-level output voltage           | $V_{DD(PVDD)} = 3\text{ V}$ ; $I_O = 4\text{ mA}$   | $V_{SS(PVSS)}$       | -   | $V_{SS(PVSS)} + 0.4$ | V             |
| $I_{OH}$                                  | HIGH-level output current          | $V_{DD(PVDD)} = 3\text{ V}$   | -                    | -   | 4                    | mA            |
| $I_{OL}$                                  | LOW-level output current           | $V_{DD(PVDD)} = 3\text{ V}$   | -                    | -   | 4                    | mA            |
| <b>Output characteristics</b>             |                                    |   |                      |     |                      |               |
| <b>Pin SIGOUT</b>                         |                                    |   |                      |     |                      |               |
| $V_{OH}$                                  | HIGH-level output voltage          | $V_{DD(SVDD)} = 3\text{ V}$ ; $I_O = 4\text{ mA}$   | $V_{DD(SVDD)} - 0.4$ | -   | $V_{DD(SVDD)}$       | V             |
| $V_{OL}$                                  | LOW-level output voltage           | $V_{DD(SVDD)} = 3\text{ V}$ ; $I_O = 4\text{ mA}$   | $V_{SS(PVSS)}$       | -   | $V_{SS(PVSS)} + 0.4$ | V             |
| $I_{OL}$                                  | LOW-level output current           | $V_{DD(SVDD)} = 3\text{ V}$   | -                    | -   | 4                    | mA            |
| $I_{OH}$                                  | HIGH-level output current          | $V_{DD(SVDD)} = 3\text{ V}$   | -                    | -   | 4                    | mA            |
| <b>Pin IRQ</b>                            |                                    |   |                      |     |                      |               |
| $V_{OH}$                                  | HIGH-level output voltage          | $V_{DD(PVDD)} = 3\text{ V}$ ; $I_O = 4\text{ mA}$   | $V_{DD(PVDD)} - 0.4$ | -   | $V_{DD(PVDD)}$       | V             |
| $V_{OL}$                                  | LOW-level output voltage           | $V_{DD(PVDD)} = 3\text{ V}$ ; $I_O = 4\text{ mA}$   | $V_{SS(PVSS)}$       | -   | $V_{SS(PVSS)} + 0.4$ | V             |
| $I_{OL}$                                  | LOW-level output current           | $V_{DD(PVDD)} = 3\text{ V}$   | -                    | -   | 4                    | mA            |
| $I_{OH}$                                  | HIGH-level output current          | $V_{DD(PVDD)} = 3\text{ V}$   | -                    | -   | 4                    | mA            |

Table 169. Characteristics ...continued

| Symbol  | Parameter                    | Conditions   | Min                          | Typ | Max                         | Unit |
|---|------------------------------|--|------------------------------|-----|-----------------------------|------|
| <b>Pins AUX1 and AUX2</b>                                 |                              |  |                              |     |                             |      |
| V <sub>OH</sub>   | HIGH-level output voltage    | V <sub>DDD</sub> = 3 V; I <sub>O</sub> = 4 mA  | V <sub>DDD</sub> - 0.4       | -   | V <sub>DDD</sub>            | V    |
| V <sub>OL</sub>   | LOW-level output voltage     | V <sub>DDD</sub> = 3 V; I <sub>O</sub> = 4 mA  | V <sub>SS(PVSS)</sub>        | -   | V <sub>SS(PVSS)</sub> + 0.4 | V    |
| I <sub>OL</sub>   | LOW-level output current     | V <sub>DDD</sub> = 3 V   | -                            | -   | 4                           | mA   |
| I <sub>OH</sub>   | HIGH-level output current    | V <sub>DDD</sub> = 3 V   | -                            | -   | 4                           | mA   |
| <b>Pins TX1 and TX2</b>                                   |                              |  |                              |     |                             |      |
| V <sub>OL</sub>   | LOW-level output voltage     | V <sub>DD(TVDD)</sub> = 3 V;<br>I <sub>DD(TVDD)</sub> = 32 mA;<br>CWGsP[5:0] = 0Fh   | -                            | -   | 0.15                        | V    |
|   |                              | V <sub>DD(TVDD)</sub> = 3 V;<br>I <sub>DD(TVDD)</sub> = 80 mA;<br>CWGsP[5:0] = 0Fh   | -                            | -   | 0.4                         | V    |
|   |                              | V <sub>DD(TVDD)</sub> = 2.5 V;<br>I <sub>DD(TVDD)</sub> = 32 mA;<br>CWGsP[5:0] = 0Fh | -                            | -   | 0.24                        | V    |
|   |                              | V <sub>DD(TVDD)</sub> = 2.5 V;<br>I <sub>DD(TVDD)</sub> = 80 mA;<br>CWGsP[5:0] = 0Fh | -                            | -   | 0.64                        | V    |
| V <sub>OH</sub>   | HIGH-level output voltage    | V <sub>DD(TVDD)</sub> = 3 V;<br>I <sub>DD(TVDD)</sub> = 32 mA;<br>CWGsP[5:0] = 3Fh   | V <sub>DD(TVDD)</sub> - 0.15 | -   | -                           | V    |
|   |                              | V <sub>DD(TVDD)</sub> = 3 V;<br>I <sub>DD(TVDD)</sub> = 80 mA;<br>CWGsP[5:0] = 3Fh   | V <sub>DD(TVDD)</sub> - 0.4  | -   | -                           | V    |
|   |                              | V <sub>DD(TVDD)</sub> = 2.5 V;<br>I <sub>DD(TVDD)</sub> = 32 mA;<br>CWGsP[5:0] = 3Fh | V <sub>DD(TVDD)</sub> - 0.24 | -   | -                           | V    |
|   |                              | V <sub>DD(TVDD)</sub> = 2.5 V;<br>I <sub>DD(TVDD)</sub> = 80 mA;<br>CWGsP[5:0] = 3Fh | V <sub>DD(TVDD)</sub> - 0.64 | -   | -                           | V    |
| <b>Industrial version:</b>                                |                              |  |                              |     |                             |      |
| V <sub>OL</sub>   | LOW-level output voltage     | V <sub>DD(TVDD)</sub> = 2.5 V;<br>I <sub>DD(TVDD)</sub> = 32 mA;<br>CWGsP[5:0] = 3Fh | -                            | -   | 0.18                        | V    |
|   |                              | V <sub>DD(TVDD)</sub> = 2.5 V;<br>I <sub>DD(TVDD)</sub> = 80 mA;<br>CWGsP[5:0] = 3Fh | -                            | -   | 0.44                        | V    |
| V <sub>OH</sub>   | HIGH-level output voltage    | V <sub>DD(TVDD)</sub> = 3 V;<br>I <sub>DD(TVDD)</sub> = 32 mA;<br>CWGsP[5:0] = 3Fh   | V <sub>DD(TVDD)</sub> - 0.18 | -   | -                           | V    |
|   |                              | V <sub>DD(TVDD)</sub> = 3 V;<br>I <sub>DD(TVDD)</sub> = 80 mA;<br>CWGsP[5:0] = 3Fh   | V <sub>DD(TVDD)</sub> - 0.44 | -   | -                           | V    |
| <b>Output resistance for TX1/TX2, Industrial Version:</b> |                              |  |                              |     |                             |      |
| R <sub>OP,01H</sub>                                       | High level output resistance | T <sub>VDD</sub> = 3 V, V <sub>TX</sub> = T <sub>VDD</sub> - 100 mV, CWGsP = 01h     | 123                          | 180 | 261                         | Ω    |

Table 169. Characteristics ...continued

| Symbol                     | Parameter                    | Conditions  | Min       | Typ | Max | Unit |    |
|----------------------------|------------------------------|---|-----------|-----|-----|------|----|
| R <sub>OP,02H</sub>        | High level output resistance | T <sub>VDD</sub> = 3 V, V <sub>TX</sub> = T <sub>VDD</sub> - 100 mV, CWGsP = 02h              | 61        | 90  | 131 | W    |    |
| R <sub>OP,04H</sub>        | High level output resistance | T <sub>VDD</sub> = 3 V, V <sub>TX</sub> = T <sub>VDD</sub> - 100 mV, CWGsP = 04h              | 30        | 46  | 68  | W    |    |
| R <sub>OP,08H</sub>        | High level output resistance | T <sub>VDD</sub> = 3 V, V <sub>TX</sub> = T <sub>VDD</sub> - 100 mV, CWGsP = 08h              | 15        | 23  | 35  | W    |    |
| R <sub>OP,10H</sub>        | High level output resistance | T <sub>VDD</sub> = 3 V, V <sub>TX</sub> = T <sub>VDD</sub> - 100 mV, CWGsP = 10h              | 7.5       | 12  | 19  | W    |    |
| R <sub>OP,20H</sub>        | High level output resistance | T <sub>VDD</sub> = 3 V, V <sub>TX</sub> = T <sub>VDD</sub> - 100 mV, CWGsP = 20h              | 4.2       | 6   | 9   | W    |    |
| R <sub>OP,3FH</sub>        | High level output resistance | T <sub>VDD</sub> = 3 V, V <sub>TX</sub> = T <sub>VDD</sub> - 100 mV, CWGsP = 3Fh              | 2         | 3   | 5   | W    |    |
| R <sub>ON,10H</sub>        | Low level output resistance  | T <sub>VDD</sub> = 3 V, V <sub>TX</sub> = T <sub>VDD</sub> - 100 mV, CWGsN = 10h              | 30        | 46  | 68  | Ω    |    |
| R <sub>ON,20H</sub>        | Low level output resistance  | T <sub>VDD</sub> = 3 V, V <sub>TX</sub> = T <sub>VDD</sub> - 100 mV, CWGsN = 20h              | 15        | 23  | 35  | W    |    |
| R <sub>ON,40H</sub>        | Low level output resistance  | T <sub>VDD</sub> = 3 V, V <sub>TX</sub> = T <sub>VDD</sub> - 100 mV, CWGsN = 40h              | 7.5       | 12  | 19  | W    |    |
| R <sub>ON,80H</sub>        | Low level output resistance  | T <sub>VDD</sub> = 3 V, V <sub>TX</sub> = T <sub>VDD</sub> - 100 mV, CWGsN = 80h              | 4.2       | 6   | 9   | W    |    |
| R <sub>ON,F0H</sub>        | Low level output resistance  | T <sub>VDD</sub> = 3 V, V <sub>TX</sub> = T <sub>VDD</sub> - 100 mV, CWGsN = F0h              | 2         | 3   | 5   | W    |    |
| <b>Current consumption</b> |                              |   |           |     |     |      |    |
| I <sub>pd</sub>            | power-down current           | V <sub>DDA</sub> = V <sub>DDD</sub> = V <sub>DD(TVDD)</sub> = V <sub>DD(PVDD)</sub> = 3 V     |           |     |     |      |    |
|                            |                              | hard power-down; pin NRSTPD set LOW   | [2]       | -   | -   | 5    | μA |
|                            |                              | soft power-down; RF level detector on   | [2]       | -   | -   | 10   | μA |
| I <sub>DD(PVDD)</sub>      | PVDD supply current          | pin PVDD  | [3]       | -   | -   | 40   | mA |
| I <sub>DD(TVDD)</sub>      | TVDD supply current          | pin TVDD; continuous wave   | [4][5][6] | -   | 60  | 100  | mA |
| I <sub>DD(SVDD)</sub>      | SVDD supply current          | pin SVDD  | [7]       | -   | -   | 4    | mA |
| I <sub>DDD</sub>           | digital supply current       | pin DVDD; V <sub>DDD</sub> = 3 V  | -         | -   | 6.5 | 9    | mA |
| I <sub>DDA</sub>           | analog supply current        | pin AVDD; V <sub>DDA</sub> = 3 V, CommandReg register's RcvOff bit = 0                        | -         | -   | 7   | 10   | mA |
|                            |                              | pin AVDD; receiver switched off; V <sub>DDA</sub> = 3 V, CommandReg register's RcvOff bit = 1 | -         | -   | 3   | 5    | mA |
| <b>Industrial version:</b> |                              |   |           |     |     |      |    |
| I <sub>DDD</sub>           | digital supply current       | pin DVDD; V <sub>DDD</sub> = 3 V  | -         | -   | 6.5 | 9,5  | mA |

Table 169. Characteristics ...continued

| Symbol                            | Parameter                    | Conditions   | Min | Typ   | Max | Unit          |
|-----------------------------------|------------------------------|--|-----|-------|-----|---------------|
| $I_{pd}$                          | power-down current           | $V_{DDA} = V_{DDD} = V_{DD(TVDD)} = V_{DD(PVDD)} = 3\text{ V}$ |     |       |     |               |
|                                   |                              | hard power-down; pin NRSTPD set LOW                            | [2] | -     | 15  | $\mu\text{A}$ |
|                                   |                              | soft power-down; RF level detector on                          | [2] | -     | 30  | $\mu\text{A}$ |
| <b>Clock frequency</b>            |                              |  |     |       |     |               |
| $f_{clk}$                         | clock frequency              |  | -   | 27.12 | -   | MHz           |
| $\delta_{clk}$                    | clock duty cycle             |  | 40  | 50    | 60  | %             |
| $t_{jit}$                         | jitter time                  | RMS  | -   | -     | 10  | ps            |
| <b>Crystal oscillator</b>         |                              |  |     |       |     |               |
| $V_{OH}$                          | HIGH-level output voltage    | pin OSCOUT   | -   | 1.1   | -   | V             |
| $V_{OL}$                          | LOW-level output voltage     | pin OSCOUT   | -   | 0.2   | -   | V             |
| $C_i$                             | input capacitance            | pin OSCOUT   | -   | 2     | -   | pF            |
|                                   |                              | pin OSCIN  | -   | 2     | -   | pF            |
| <b>Typical input requirements</b> |                              |  |     |       |     |               |
| $f_{xtal}$                        | crystal frequency            |  | -   | 27.12 | -   | MHz           |
| ESR                               | equivalent series resistance |  | -   | -     | 100 | $\Omega$      |
| $C_L$                             | load capacitance             |  | -   | 10    | -   | pF            |
| $P_{xtal}$                        | crystal power dissipation    |  | -   | 50    | 100 | $\mu\text{W}$ |

- [1] The voltage on pin RX is clamped by internal diodes to pins AVSS and AVDD.
- [2]  $I_{pd}$  is the total current for all supplies.
- [3]  $I_{DD(PVDD)}$  depends on the overall load at the digital pins.
- [4]  $I_{DD(TVDD)}$  depends on  $V_{DD(TVDD)}$  and the external circuit connected to pins TX1 and TX2.
- [5] During typical circuit operation, the overall current is below 100 mA.
- [6] Typical value using a complementary driver configuration and an antenna matched to 40  $\Omega$  between pins TX1 and TX2 at 13.56 MHz.
- [7]  $I_{DD(SVDD)}$  depends on the load at pin MFOUT.



Fig 39. Pin RX input voltage range

## 25.1 Timing characteristics

Table 170. SPI timing characteristics

| Symbol                   | Parameter                          | Conditions           | Min | Typ | Max | Unit |
|--------------------------|------------------------------------|----------------------|-----|-----|-----|------|
| t <sub>WL</sub>          | pulse width LOW                    | line SCK             | 50  | -   | -   | ns   |
| t <sub>WH</sub>          | pulse width HIGH                   | line SCK             | 50  | -   | -   | ns   |
| t <sub>h(SCKH-D)</sub>   | SCK HIGH to data input hold time   | SCK to changing MOSI | 25  | -   | -   | ns   |
| t <sub>su(D-SCKH)</sub>  | data input to SCK HIGH set-up time | changing MOSI to SCK | 25  | -   | -   | ns   |
| t <sub>h(SCKL-Q)</sub>   | SCK LOW to data output hold time   | SCK to changing MISO | -   | -   | 25  | ns   |
| t <sub>(SCKL-NSSH)</sub> | SCK LOW to NSS HIGH time           |                      | 0   | -   | -   | ns   |

Table 171. I<sup>2</sup>C-bus timing in Fast mode

| Symbol              | Parameter                                  | Conditions  | Fast mode |     | High-speed mode |      | Unit |
|---------------------|--|---|-----------|-----|-----------------|------|------|
|                     |  |   | Min       | Max | Min             | Max  |      |
| f <sub>SCL</sub>    | SCL clock frequency                        |   | 0         | 400 | 0               | 3400 | kHz  |
| t <sub>HD;STA</sub> | hold time (repeated) START condition       | after this period, the first clock pulse is generated | 600       | -   | 160             | -    | ns   |
| t <sub>SU;STA</sub> | set-up time for a repeated START condition |   | 600       | -   | 160             | -    | ns   |
| t <sub>SU;STO</sub> | set-up time for STOP condition             |   | 600       | -   | 160             | -    | ns   |
| t <sub>LOW</sub>    | LOW period of the SCL clock                |   | 1300      | -   | 160             | -    | ns   |
| t <sub>HIGH</sub>   | HIGH period of the SCL clock               |   | 600       | -   | 60              | -    | ns   |
| t <sub>HD;DAT</sub> | data hold time                             |   | 0         | 900 | 0               | 70   | ns   |

Table 171. I<sup>2</sup>C-bus timing in Fast mode ...continued

| Symbol              | Parameter  | Conditions          | Fast mode |     | High-speed mode |     | Unit |
|---------------------|--|---------------------|-----------|-----|-----------------|-----|------|
|                     |  |                     | Min       | Max | Min             | Max |      |
| t <sub>SU;DAT</sub> | data set-up time                                 |                     | 100       | -   | 10              | -   | ns   |
| t <sub>r</sub>      | rise time  | SCL signal          | 20        | 300 | 10              | 40  | ns   |
| t <sub>f</sub>      | fall time  | SCL signal          | 20        | 300 | 10              | 40  | ns   |
| t <sub>r</sub>      | rise time  | SDA and SCL signals | 20        | 300 | 10              | 80  | ns   |
| t <sub>f</sub>      | fall time  | SDA and SCL signals | 20        | 300 | 10              | 80  | ns   |
| t <sub>BUF</sub>    | bus free time between a STOP and START condition |                     | 1.3       | -   | 1.3             | -   | μs   |



Fig 40. Timing diagram for SPI

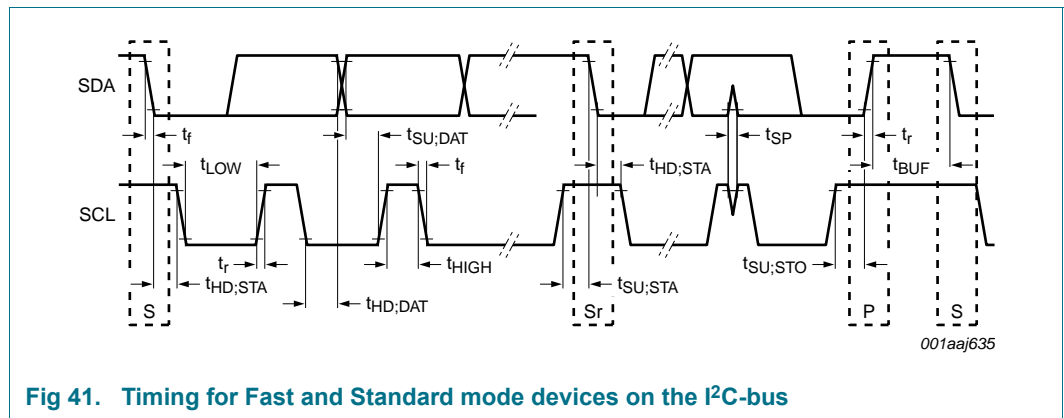


Fig 41. Timing for Fast and Standard mode devices on the I<sup>2</sup>C-bus

## 25.2 8-bit parallel interface timing

### 25.2.1 AC symbols

Each timing symbol has five characters. The first character is always 't' for time. The other characters indicate the name of a signal or the logic state of that signal (depending on position):

Table 172. AC symbols

| Designation | Signal                        | Designation | Logic Level              |
|-------------|-------------------------------|-------------|--------------------------|
| A           | address                       | H           | HIGH                     |
| D           | data                          | L           | LOW                      |
| W           | NWR or nWait                  | Z           | high impedance           |
| R           | NRD or R/NW or nWrite         | X           | any level or data        |
| L           | ALE or AS                     | V           | any valid signal or data |
| C           | NCS                           | N           | NSS                      |
| S           | NDS or nDStrb and nAStrb, SCK |             |                          |

Example:  $t_{AVLL}$  = time for address valid to ALE low

### 25.2.2 AC operating specification

#### 25.2.2.1 Bus timing for separated Read/Write strobe

Table 173. Timing specification for separated Read/Write strobe

| Symbol     | Parameter   | Min | Max | Unit |
|------------|---|-----|-----|------|
| $t_{LHLL}$ | ALE pulse width   | 10  | -   | ns   |
| $t_{AVLL}$ | Multiplexed Address Bus valid to ALE low (Address Set Up Time)  | 5   | -   | ns   |
| $t_{LLAX}$ | Multiplexed Address Bus valid after ALE low (Address Hold Time) | 5   | -   | ns   |
| $t_{LLWL}$ | ALE low to NWR, NRD low   | 10  | -   | ns   |
| $t_{CLWL}$ | NCS low to NRD, NWR low   | 0   | -   | ns   |
| $t_{WHCH}$ | NRD, NWR high to NCS high                                       | 0   | -   | ns   |
| $t_{RLDV}$ | NRD low to DATA valid   | -   | 35  | ns   |
| $t_{RHDZ}$ | NRD high to DATA high impedance                                 | -   | 10  | ns   |
| $t_{DVWH}$ | DATA valid to NWR high  | 5   | -   | ns   |
| $t_{WHDX}$ | DATA hold after NWR high (Data Hold Time)                       | 5   | -   | ns   |
| $t_{WLWH}$ | NRD, NWR pulse width  | 40  | -   | ns   |
| $t_{AVWL}$ | Separated Address Bus valid to NRD, NWR low (Set Up Time)       | 30  | -   | ns   |
| $t_{WHAX}$ | Separated Address Bus valid after NWR high (Hold Time)          | 5   | -   | ns   |
| $t_{WHWL}$ | period between sequenced read/write accesses                    | 40  | -   | ns   |



Fig 42. Timing diagram for separated Read/Write strobe

**Remark:** For separated address and data bus the signal ALE is not relevant and the multiplexed addresses on the data bus don't care.

For the multiplexed address and data bus the address lines A0 to A3 have to be connected as described in chapter Automatic host controller Interface Type Detection.

### 25.2.2.2 Bus timing for common Read/Write strobe

Table 174. Timing specification for common Read/Write strobe

| Symbol       | Parameter  | Min | Max | Unit |
|--------------|--|-----|-----|------|
| $t_{LHLL}$   | AS pulse width   | 10  | -   | ns   |
| $t_{AVLL}$   | Multiplexed Address Bus valid to AS low (Address Set Up Time)  | 5   | -   | ns   |
| $t_{LLAX}$   | Multiplexed Address Bus valid after AS low (Address Hold Time) | 5   | -   | ns   |
| $t_{LLSL}$   | AS low to NDS low  | 10  | -   | ns   |
| $t_{CLSL}$   | NCS low to NDS low   | 0   | -   | ns   |
| $t_{SHCH}$   | NDS high to NCS high   | 0   | -   | ns   |
| $t_{SLDV,R}$ | NDS low to DATA valid (for read cycle)                         | -   | 35  | ns   |
| $t_{SHDZ}$   | NDS low to DATA high impedance (read cycle)                    | -   | 10  | ns   |
| $t_{DVSH}$   | DATA valid to NDS high (for write cycle)                       | 5   | -   | ns   |
| $t_{SHDX}$   | DATA hold after NDS high (write cycle, Hold Time)              | 5   | -   | ns   |
| $t_{SHRX}$   | R/NW hold after NDS high                                       | 5   | -   | ns   |
| $t_{SLSH}$   | NDS pulse width  | 40  | -   | ns   |
| $t_{AVSL}$   | Separated Address Bus valid to NDS low (Hold Time)             | 30  | -   | ns   |
| $t_{SHAX}$   | Separated Address Bus valid after NDS high (Set Up Time)       | 5   | -   | ns   |



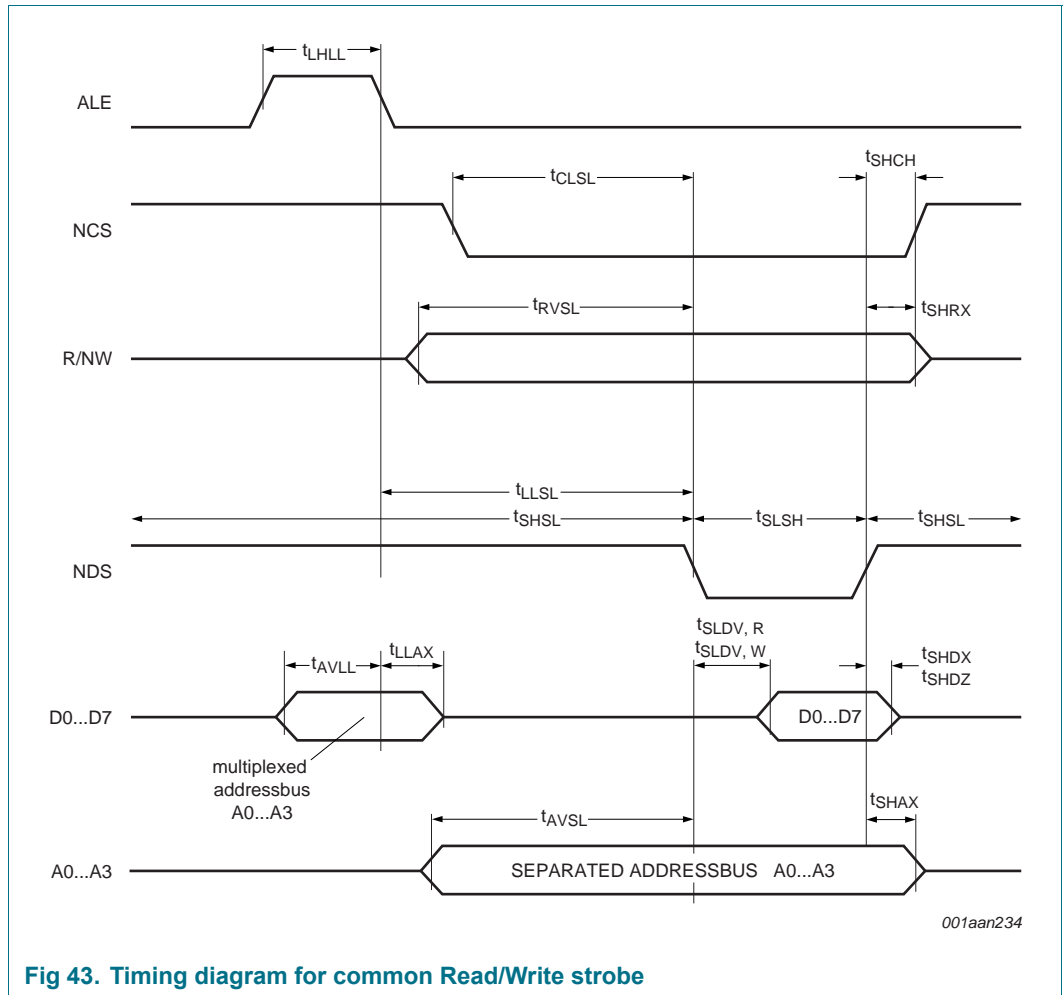


Fig 43. Timing diagram for common Read/Write strobe

**Remark:** For separated address and data bus the signal ALE is not relevant and the multiplexed addresses on the data bus don't care. For the multiplexed address and data bus the address lines A0 to A3 have to be connected as described in Automatic  $\mu$ -Controller Interface Type Detection.

## 26. Package information

The PN512 can be delivered in 3 different packages.

**Table 175. Package information**

| Package | Remarks   |
|---------|---|
| HVQFN32 | 8-bit parallel interface not supported                              |
| HVQFN40 | Supports the 8-bit parallel interface                               |
| TFBGA64 | Ball grid array facilitating development of an PCI compliant device |

## 27. Package outline

HVQFN32: plastic thermal enhanced very thin quad flat package; no leads;  
32 terminals; body 5 x 5 x 0.85 mm

SOT617-1



Fig 44. Package outline package version (HVQFN32)

HVQFN40: plastic thermal enhanced very thin quad flat package; no leads; 40 terminals; body 6 x 6 x 0.85 mm

SOT618-1



Fig 45. Package outline package version (HVQFN40)

TFBGA64: plastic thin fine-pitch ball grid array package; 64 balls

SOT1336-1

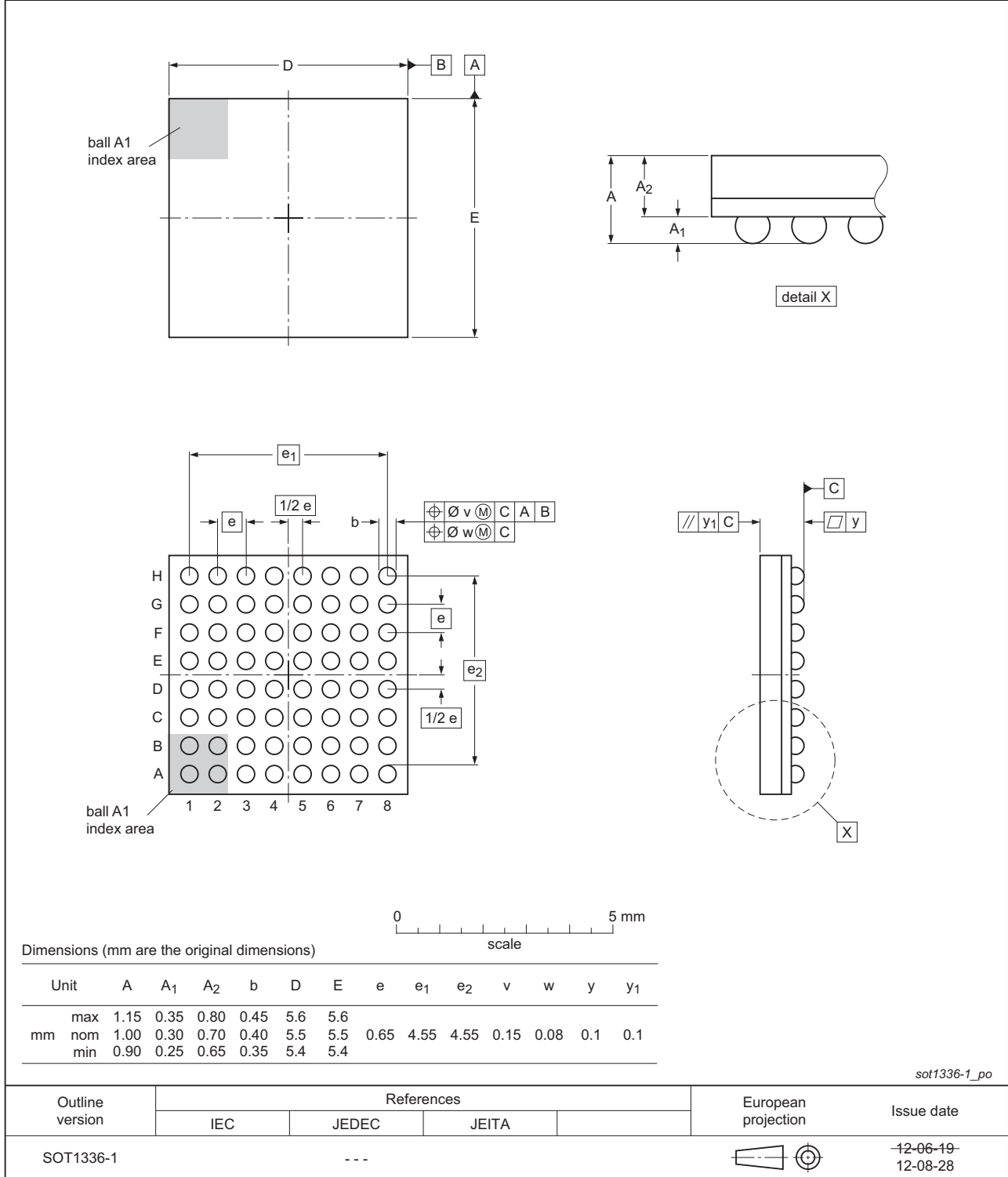


Fig 46. Package outline package version (TFBGA64)

## 28. Abbreviations

Table 176. Abbreviations

| Acronym          | Description                                 |
|------------------|---|
| ADC              | Analog-to-Digital Converter                 |
| ASK              | Amplitude Shift keying                      |
| BPSK             | Binary Phase Shift Keying                   |
| CRC              | Cyclic Redundancy Check                     |
| CW               | Continuous Wave                             |
| DAC              | Digital-to-Analog Converter                 |
| EOF              | End of frame                                |
| HBM              | Human Body Model                            |
| I <sup>2</sup> C | Inter-integrated Circuit                    |
| LSB              | Least Significant Bit                       |
| MISO             | Master In Slave Out                         |
| MM               | Machine Model                               |
| MOSI             | Master Out Slave In                         |
| MSB              | Most Significant Bit                        |
| NSS              | Not Slave Select                            |
| PCB              | Printed-Circuit Board                       |
| PLL              | Phase-Locked Loop                           |
| PRBS             | Pseudo-Random Bit Sequence                  |
| RX               | Receiver                                    |
| SOF              | Start Of Frame                              |
| SPI              | Serial Peripheral Interface                 |
| TX               | Transmitter                                 |
| UART             | Universal Asynchronous Receiver Transmitter |

## 29. Glossary

**Modulation index** — Defined as the voltage ratio  $(V_{\max} - V_{\min}) / (V_{\max} + V_{\min})$ .

**Load modulation index** — Defined as the voltage ratio for the card  $(V_{\max} - V_{\min}) / (V_{\max} + V_{\min})$  measured at the card's coil.

**Initiator** — Generates RF field at 13.56 MHz and starts the NFCIP-1 communication.

**Target** — Responds to command either using load modulation scheme (RF field generated by Initiator) or using modulation of self generated RF field (no RF field generated by initiator).

## 30. References

- [1] **Application note** — NFC Transmission Module Antenna and RF Design Guide

## 31. Revision history

Table 177. Revision history

| Document ID    | Release date   | Data sheet status  | Change notice | Supersedes  |
|----------------|--|--------------------|---------------|-------------|
| PN512 v.5.3    | 20200317   | Product data sheet | -             | PN512 v.5.2 |
| Modifications: | <ul style="list-style-type: none"> <li>Descriptive title of data sheet changed</li> </ul>  |                    |               |             |
| PN512 v.5.2    | 20160616   | Product data sheet | -             | PN512 v.5.1 |
| Modifications: | <ul style="list-style-type: none"> <li>Added in "Industrial version" the type PN512AA0HN1</li> </ul>   |                    |               |             |
| PN512 v.5.1    | 20160427   | Product data sheet | -             | PN512 v.5.0 |
| Modifications: | <ul style="list-style-type: none"> <li>Descriptive title updated</li> </ul>  |                    |               |             |
| PN512 v.5.0    | 20160406   | Product data sheet | -             | PN512 v.4.9 |
| Modifications: | <ul style="list-style-type: none"> <li><a href="#">Section 1 "General description"</a>: updated</li> </ul>   |                    |               |             |
| PN512 v.4.9    | 20150909   | Product data sheet | -             | PN512 v.4.8 |
| Modifications: | <ul style="list-style-type: none"> <li><a href="#">Section 1 "General description"</a>: updated</li> <li><a href="#">Table 34 "Description of Status2Reg bits"</a>: Description of value 100 updated</li> <li><a href="#">Section 32.4 "Licenses"</a>: License statement "Purchase of NXP ICs with NFC technology" updated.</li> </ul>   |                    |               |             |
| PN512 v.4.8    | 20150506   | Product data sheet | -             | PN512 v.4.7 |
| Modifications: | <ul style="list-style-type: none"> <li><a href="#">Figure 38 "Typical circuit diagram"</a>: SVDD symbol corrected</li> </ul>   |                    |               |             |
| PN512 v.4.7    | 20150331   | Product data sheet | -             | PN512 v.4.6 |
| Modifications: | <ul style="list-style-type: none"> <li><a href="#">Section 1 "Introduction"</a>: Version description PN512AA updated</li> <li><a href="#">Section 1 "General description"</a> and <a href="#">Section 2 "Features and benefits"</a>: MIFARE emulation support clarified</li> </ul>   |                    |               |             |
| PN512 v.4.6    | 20141202   | Product data sheet | -             | PN512 v.4.5 |
| Modifications: | <ul style="list-style-type: none"> <li><a href="#">Section 7.2 "ISO/IEC 14443 B functionality"</a>: Remark removed</li> </ul>  |                    |               |             |
| PN512 v.4.5    | 20131210   | Product data sheet | -             | PN512 v.4.4 |
| Modifications: | <ul style="list-style-type: none"> <li>Typo corrected</li> </ul>   |                    |               |             |
| PN512 v.4.4    | 20130730   | Product data sheet | -             | PN512 v.4.3 |
| Modifications: | <ul style="list-style-type: none"> <li>Value added in <a href="#">Table 166 "Limiting values"</a></li> <li>Change of descriptive title</li> </ul>  |                    |               |             |
| PN512 v.4.3    | 20130507   | Product data sheet | -             | PN512 v.4.2 |
| Modifications: | <ul style="list-style-type: none"> <li>New type PN5120A0ET/C2 added</li> <li><a href="#">Table 72 "Description of MifNFCReg bits"</a>: description of TxWait updated</li> <li><a href="#">Table 153 "Register and bit settings controlling the signal on pin TX1"</a> and <a href="#">Table 153 "Register and bit settings controlling the signal on pin TX1"</a>: updated</li> <li><a href="#">Table 166 "Limiting values"</a>: V<sub>ESD</sub> values added</li> </ul> |                    |               |             |
| PN512 v.4.2    | 20120828   | Product data sheet | -             | PN512 v.4.1 |
| Modifications: | <ul style="list-style-type: none"> <li><a href="#">Table 123 "AutoTestReg register (address 36h); reset value: 40h, 01000000b"</a>: description of bits 4 and 5 corrected</li> </ul>   |                    |               |             |
| PN512 v.4.1    | 20120821   | Product data sheet | -             | PN512 v.4.0 |
| Modifications: | <ul style="list-style-type: none"> <li><a href="#">Table 124 "Description of bits"</a>: description of bits 4 and 5 corrected</li> </ul>   |                    |               |             |
| PN512 v.4.0    | 20120712   | Product data sheet | -             | PN512 v.3.9 |
| Modifications: | <ul style="list-style-type: none"> <li><a href="#">Section 32.4 "Licenses"</a>: updated</li> </ul>   |                    |               |             |
| PN512 v.3.9    | 20120201   | Product data sheet | -             | PN512 v.3.8 |

Table 177. Revision history ...continued

| Document ID    | Release date  | Data sheet status    | Change notice | Supersedes  |
|----------------|---|----------------------|---------------|-------------|
| Modifications: | <ul style="list-style-type: none"> <li>• Adding information on the different version in General description.</li> <li>• Adding <a href="#">Section 20 “Errata sheet” on page 109</a> for explanation of differences between 1.0 and 2.0.</li> <li>• Adding ordering information for version 1.0 and industrial version in <a href="#">Table 2 “Ordering information” on page 5</a></li> <li>• Adding the limitations and characteristics for the industrial version, see <a href="#">Table 1 “Quick reference data” on page 4</a>, <a href="#">Table 166 “Limiting values” on page 111</a>, <a href="#">Table 1 “Quick reference data” on page 4</a></li> <li>• Referring to the <a href="#">Section 20 “Errata sheet” on page 109</a> within the following sections: <a href="#">Section 8.2.2.4 “RxModeReg” on page 39</a>, <a href="#">Section 8.2.2.10 “DemodReg” on page 45</a>, <a href="#">Section 8.2.2.15 “TypeBReg” on page 50</a>, <a href="#">Section 8.2.3.10 “TMode Register, TPrescaler Register” on page 57</a>, <a href="#">Section 8.2.4.7 “AutoTestReg” on page 64</a>, <a href="#">Section 8.2.4.8 “VersionReg” on page 64</a>, <a href="#">Section 8.1.1 “Register bit behavior” on page 23</a>, <a href="#">Section 14 “Timer unit” on page 96</a>, <a href="#">Section 19 “Testsignals” on page 107</a>;</li> <li>• Update of command ‘Mem’ to ‘Configure’ and ‘RFU’ to ‘Autocoll’ in <a href="#">Table 158 “Command overview” on page 101</a>.</li> <li>• Change of ‘Mem’ to ‘Configure’ in ‘Mem’ in <a href="#">Section 18.3.1.2 “Config command” on page 101</a></li> <li>• Adding Autocoll in <a href="#">Section 18.3.1.9 “AutoColl” on page 103</a></li> </ul> |                      |               |             |
| PN512 v.3.8    | 20111025  | Product data sheet   | -             | PN512 v.3.7 |
| Modifications: | <ul style="list-style-type: none"> <li>• Table 168 “Characteristics”: unit of P<sub>x<sub>tal</sub></sub> corrected</li> </ul>  |                      |               |             |
| 111310         | June 2005   | Objective data sheet | -             |             |
| Modifications: | <ul style="list-style-type: none"> <li>• Initial version</li> </ul>   |                      |               |             |



## 32. Legal information

### 32.1 Data sheet status

| Document status <sup>[1][2]</sup> | Product status <sup>[3]</sup> | Definition  |
|-----------------------------------|-------------------------------|---|
| Objective [short] data sheet      | Development                   | This document contains data from the objective specification for product development. |
| Preliminary [short] data sheet    | Qualification                 | This document contains data from the preliminary specification.                       |
| Product [short] data sheet        | Production                    | This document contains the product specification.                                     |

[1] Please consult the most recently issued document before initiating or completing a design.

[2] The term 'short data sheet' is explained in section "Definitions".

[3] The product status of device(s) described in this document may have changed since this document was published and may differ in case of multiple devices. The latest product status information is available on the Internet at URL <http://www.nxp.com>.

### 32.2 Definitions

**Draft** — The document is a draft version only. The content is still under internal review and subject to formal approval, which may result in modifications or additions. NXP Semiconductors does not give any representations or warranties as to the accuracy or completeness of information included herein and shall have no liability for the consequences of use of such information.

**Short data sheet** — A short data sheet is an extract from a full data sheet with the same product type number(s) and title. A short data sheet is intended for quick reference only and should not be relied upon to contain detailed and full information. For detailed and full information see the relevant full data sheet, which is available on request via the local NXP Semiconductors sales office. In case of any inconsistency or conflict with the short data sheet, the full data sheet shall prevail.

**Product specification** — The information and data provided in a Product data sheet shall define the specification of the product as agreed between NXP Semiconductors and its customer, unless NXP Semiconductors and customer have explicitly agreed otherwise in writing. In no event however, shall an agreement be valid in which the NXP Semiconductors product is deemed to offer functions and qualities beyond those described in the Product data sheet.

### 32.3 Disclaimers

**Limited warranty and liability** — Information in this document is believed to be accurate and reliable. However, NXP Semiconductors does not give any representations or warranties, expressed or implied, as to the accuracy or completeness of such information and shall have no liability for the consequences of use of such information. NXP Semiconductors takes no responsibility for the content in this document if provided by an information source outside of NXP Semiconductors.

In no event shall NXP Semiconductors be liable for any indirect, incidental, punitive, special or consequential damages (including - without limitation - lost profits, lost savings, business interruption, costs related to the removal or replacement of any products or rework charges) whether or not such damages are based on tort (including negligence), warranty, breach of contract or any other legal theory.

Notwithstanding any damages that customer might incur for any reason whatsoever, NXP Semiconductors' aggregate and cumulative liability towards customer for the products described herein shall be limited in accordance with the *Terms and conditions of commercial sale* of NXP Semiconductors.

**Right to make changes** — NXP Semiconductors reserves the right to make changes to information published in this document, including without limitation specifications and product descriptions, at any time and without notice. This document supersedes and replaces all information supplied prior to the publication hereof.

**Suitability for use** — NXP Semiconductors products are not designed, authorized or warranted to be suitable for use in life support, life-critical or safety-critical systems or equipment, nor in applications where failure or malfunction of an NXP Semiconductors product can reasonably be expected to result in personal injury, death or severe property or environmental damage. NXP Semiconductors and its suppliers accept no liability for inclusion and/or use of NXP Semiconductors products in such equipment or applications and therefore such inclusion and/or use is at the customer's own risk.

**Applications** — Applications that are described herein for any of these products are for illustrative purposes only. NXP Semiconductors makes no representation or warranty that such applications will be suitable for the specified use without further testing or modification.

Customers are responsible for the design and operation of their applications and products using NXP Semiconductors products, and NXP Semiconductors accepts no liability for any assistance with applications or customer product design. It is customer's sole responsibility to determine whether the NXP Semiconductors product is suitable and fit for the customer's applications and products planned, as well as for the planned application and use of customer's third party customer(s). Customers should provide appropriate design and operating safeguards to minimize the risks associated with their applications and products.

NXP Semiconductors does not accept any liability related to any default, damage, costs or problem which is based on any weakness or default in the customer's applications or products, or the application or use by customer's third party customer(s). Customer is responsible for doing all necessary testing for the customer's applications and products using NXP Semiconductors products in order to avoid a default of the applications and the products or of the application or use by customer's third party customer(s). NXP does not accept any liability in this respect.

**Limiting values** — Stress above one or more limiting values (as defined in the Absolute Maximum Ratings System of IEC 60134) will cause permanent damage to the device. Limiting values are stress ratings only and (proper) operation of the device at these or any other conditions above those given in the Recommended operating conditions section (if present) or the Characteristics sections of this document is not warranted. Constant or repeated exposure to limiting values will permanently and irreversibly affect the quality and reliability of the device.

**Terms and conditions of commercial sale** — NXP Semiconductors products are sold subject to the general terms and conditions of commercial sale, as published at <http://www.nxp.com/profile/terms>, unless otherwise agreed in a valid written individual agreement. In case an individual agreement is concluded only the terms and conditions of the respective agreement shall apply. NXP Semiconductors hereby expressly objects to applying the customer's general terms and conditions with regard to the purchase of NXP Semiconductors products by customer.

**No offer to sell or license** — Nothing in this document may be interpreted or construed as an offer to sell products that is open for acceptance or the grant, conveyance or implication of any license under any copyrights, patents or other industrial or intellectual property rights.

**Export control** — This document as well as the item(s) described herein may be subject to export control regulations. Export might require a prior authorization from competent authorities.

**Quick reference data** — The Quick reference data is an extract of the product data given in the Limiting values and Characteristics sections of this document, and as such is not complete, exhaustive or legally binding.

**Non-automotive qualified products** — Unless this data sheet expressly states that this specific NXP Semiconductors product is automotive qualified, the product is not suitable for automotive use. It is neither qualified nor tested in accordance with automotive testing or application requirements. NXP Semiconductors accepts no liability for inclusion and/or use of non-automotive qualified products in automotive equipment or applications.

In the event that customer uses the product for design-in and use in automotive applications to automotive specifications and standards, customer (a) shall use the product without NXP Semiconductors' warranty of the product for such automotive applications, use and specifications, and (b) whenever customer uses the product for automotive applications beyond NXP Semiconductors' specifications such use shall be solely at customer's own risk, and (c) customer fully indemnifies NXP Semiconductors for any liability, damages or failed product claims resulting from customer design and use of the product for automotive applications beyond NXP Semiconductors' standard warranty and NXP Semiconductors' product specifications.

**Translations** — A non-English (translated) version of a document is for reference only. The English version shall prevail in case of any discrepancy between the translated and English versions.

## 33. Contact information

For more information, please visit: <http://www.nxp.com>

For sales office addresses, please send an email to: [salesaddresses@nxp.com](mailto:salesaddresses@nxp.com)

## 32.4 Licenses

### Purchase of NXP ICs with ISO/IEC 14443 type B functionality



This NXP Semiconductors IC is ISO/IEC 14443 Type B software enabled and is licensed under Innovatron's Contactless Card patents license for ISO/IEC 14443 B. The license includes the right to use the IC in systems and/or end-user equipment.

### RATP/Innovatron Technology

### Purchase of NXP ICs with NFC technology

Purchase of an NXP Semiconductors IC that complies with one of the Near Field Communication (NFC) standards ISO/IEC 18092 and ISO/IEC 21481 does not convey an implied license under any patent right infringed by implementation of any of those standards. Purchase of NXP Semiconductors IC does not include a license to any NXP patent (or other IP right) covering combinations of those products with other products, whether hardware or software.

## 32.5 Trademarks

Notice: All referenced brands, product names, service names and trademarks are the property of their respective owners.

**IC-bus** — logo is a trademark of NXP Semiconductors N.V.

**MIFARE** — is a trademark of NXP Semiconductors N.V.

### 34. Tables

|   |    |  |    |
|---|----|--|----|
| Table 1. Quick reference data . . . . .   | 4  | Table 41. ControlReg register (address 0Ch); reset value: 00h, 00000000b . . . . .     | 33 |
| Table 2. Ordering information . . . . .   | 5  | Table 42. Description of ControlReg bits . . . . .                                     | 33 |
| Table 3. Pin description HVQFN32 . . . . .  | 10 | Table 43. BitFramingReg register (address 0Dh); reset value: 00h, 00000000b . . . . .  | 34 |
| Table 4. Pin description HVQFN40 . . . . .  | 11 | Table 44. Description of BitFramingReg bits . . . . .                                  | 34 |
| Table 5. Pin description TFBGA64 . . . . .  | 12 | Table 45. CollReg register (address 0Eh); reset value: XXh, 101XXXXXb . . . . .        | 35 |
| Table 6. Communication overview for ISO/IEC 14443 A/MIFARE reader/writer . . . . .    | 14 | Table 46. Description of CollReg bits . . . . .  | 35 |
| Table 7. Communication overview for FeliCa reader/writer . . . . .                    | 16 | Table 47. PageReg register (address 10h); reset value: 00h, 00000000b . . . . .        | 36 |
| Table 8. FeliCa framing and coding . . . . .  | 16 | Table 48. Description of PageReg bits . . . . .  | 36 |
| Table 9. Start value for the CRC Polynomial: (00h), (00h)16 . . . . .                 | 16 | Table 49. ModeReg register (address 11h); reset value: 3Bh, 00111011b . . . . .        | 37 |
| Table 10. Communication overview for Active communication mode . . . . .              | 18 | Table 50. Description of ModeReg bits . . . . .  | 37 |
| Table 11. Communication overview for Passive communication mode . . . . .             | 19 | Table 51. TxModeReg register (address 12h); reset value: 00h, 00000000b . . . . .      | 38 |
| Table 12. Framing and coding overview . . . . .                                       | 20 | Table 52. Description of TxModeReg bits . . . . .                                      | 38 |
| Table 13. MIFARE Card operation mode . . . . .  | 20 | Table 53. RxModeReg register (address 13h); reset value: 00h, 00000000b . . . . .      | 39 |
| Table 14. FeliCa Card operation mode . . . . .  | 21 | Table 54. Description of RxModeReg bits . . . . .                                      | 39 |
| Table 15. PN512 registers overview . . . . .  | 21 | Table 55. TxControlReg register (address 14h); reset value: 80h, 10000000b . . . . .   | 40 |
| Table 16. Behavior of register bits and its designation . . . . .                     | 23 | Table 56. Description of TxControlReg bits . . . . .                                   | 40 |
| Table 17. PageReg register (address 00h); reset value: 00h, 00000000b . . . . .       | 24 | Table 57. TxAutoReg register (address 15h); reset value: 00h, 00000000b . . . . .      | 41 |
| Table 18. Description of PageReg bits . . . . .                                       | 24 | Table 58. Description of TxAutoReg bits . . . . .                                      | 41 |
| Table 19. CommandReg register (address 01h); reset value: 20h, 00100000b . . . . .    | 24 | Table 59. TxSelReg register (address 16h); reset value: 10h, 00010000b . . . . .       | 42 |
| Table 20. Description of CommandReg bits . . . . .                                    | 24 | Table 60. Description of TxSelReg bits . . . . .                                       | 42 |
| Table 21. CommEnReg register (address 02h); reset value: 80h, 10000000b . . . . .     | 25 | Table 61. RxSelReg register (address 17h); reset value: 84h, 10000100b . . . . .       | 44 |
| Table 22. Description of CommEnReg bits . . . . .                                     | 25 | Table 62. Description of RxSelReg bits . . . . .                                       | 44 |
| Table 23. DivEnReg register (address 03h); reset value: 00h, 00000000b . . . . .      | 26 | Table 63. RxThresholdReg register (address 18h); reset value: 84h, 10000100b . . . . . | 44 |
| Table 24. Description of DivEnReg bits . . . . .                                      | 26 | Table 64. Description of RxThresholdReg bits . . . . .                                 | 44 |
| Table 25. CommRqReg register (address 04h); reset value: 14h, 00010100b . . . . .     | 27 | Table 65. DemodReg register (address 19h); reset value: 4Dh, 01001101b . . . . .       | 45 |
| Table 26. Description of CommRqReg bits . . . . .                                     | 27 | Table 66. Description of DemodReg bits . . . . .                                       | 45 |
| Table 27. DivRqReg register (address 05h); reset value: XXh, 000X00XXb . . . . .      | 28 | Table 67. FeINFC1Reg register (address 1Ah); reset value: 00h, 00000000b . . . . .     | 46 |
| Table 28. Description of DivRqReg bits . . . . .                                      | 28 | Table 68. Description of FeINFC1Reg bits . . . . .                                     | 46 |
| Table 29. ErrorReg register (address 06h); reset value: 00h, 00000000b . . . . .      | 29 | Table 69. FeINFC2Reg register (address 1Bh); reset value: 00h, 00000000b . . . . .     | 47 |
| Table 30. Description of ErrorReg bits . . . . .                                      | 29 | Table 70. Description of FeINFC2Reg bits . . . . .                                     | 47 |
| Table 31. Status1Reg register (address 07h); reset value: XXh, X100X01Xb . . . . .    | 30 | Table 71. MifNFCReg register (address 1Ch); reset value: 62h, 01100010b . . . . .      | 48 |
| Table 32. Description of Status1Reg bits . . . . .                                    | 30 | Table 72. Description of MifNFCReg bits . . . . .                                      | 48 |
| Table 33. Status2Reg register (address 08h); reset value: 00h, 00000000b . . . . .    | 31 | Table 73. ManualRCVReg register (address 1Dh); reset value: 00h, 00000000b . . . . .   | 49 |
| Table 34. Description of Status2Reg bits . . . . .                                    | 31 | Table 74. Description of ManualRCVReg bits . . . . .                                   | 49 |
| Table 35. FIFODataReg register (address 09h); reset value: XXh, XXXXXXXXb . . . . .   | 32 | Table 75. TypeBReg register (address 1Eh); reset value: 00h, 00000000b . . . . .       | 50 |
| Table 36. Description of FIFODataReg bits . . . . .                                   | 32 | Table 76. Description of TypeBReg bits . . . . .                                       | 50 |
| Table 37. FIFOLevelReg register (address 0Ah); reset value: 00h, 00000000b . . . . .  | 32 | Table 77. SerialSpeedReg register (address 1Fh); reset value: EBh, 11101011b . . . . . | 51 |
| Table 38. Description of FIFOLevelReg bits . . . . .                                  | 32 |  |    |
| Table 39. WaterLevelReg register (address 0Bh); reset value: 08h, 00001000b . . . . . | 33 |  |    |
| Table 40. Description of WaterLevelReg bits . . . . .                                 | 33 |  |    |

|   |    |   |    |
|---|----|---|----|
| Table 78. Description of SerialSpeedReg bits . . . . .  | 51 | Table 117. TestPinEnReg register (address 33h); reset value: 80h, 10000000b . . . . .                 | 63 |
| Table 79. PageReg register (address 20h); reset value: 00h, 00000000b . . . . .                       | 52 | Table 118. Description of TestPinEnReg bits . . . . .   | 63 |
| Table 80. Description of PageReg bits . . . . .   | 52 | Table 119. TestPinValueReg register (address 34h); reset value: 00h, 00000000b . . . . .              | 63 |
| Table 81. CRCResultReg register (address 21h); reset value: FFh, 11111111b. . . . .                   | 52 | Table 120. Description of TestPinValueReg bits . . . . .  | 63 |
| Table 82. Description of CRCResultReg bits . . . . .  | 52 | Table 121. TestBusReg register (address 35h); reset value: XXh, XXXXXXXXb . . . . .                   | 64 |
| Table 83. CRCResultReg register (address 22h); reset value: FFh, 11111111b. . . . .                   | 52 | Table 122. Description of TestBusReg bits . . . . .   | 64 |
| Table 84. Description of CRCResultReg bits . . . . .  | 53 | Table 123. AutoTestReg register (address 36h); reset value: 40h, 01000000b . . . . .                  | 64 |
| Table 85. GsNOffReg register (address 23h); reset value: 88h, 10001000b . . . . .                     | 53 | Table 124. Description of bits . . . . .  | 64 |
| Table 86. Description of GsNOffReg bits . . . . .   | 53 | Table 125. VersionReg register (address 37h); reset value: XXh, XXXXXXXXb . . . . .                   | 65 |
| Table 87. ModWidthReg register (address 24h); reset value: 26h, 00100110b . . . . .                   | 54 | Table 126. Description of VersionReg bits . . . . .   | 65 |
| Table 88. Description of ModWidthReg bits . . . . .   | 54 | Table 127. AnalogTestReg register (address 38h); reset value: 00h, 00000000b . . . . .                | 66 |
| Table 89. TxBitPhaseReg register (address 25h); reset value: 87h, 10000111b . . . . .                 | 54 | Table 128. Description of AnalogTestReg bits . . . . .  | 66 |
| Table 90. Description of TxBitPhaseReg bits . . . . .   | 54 | Table 129. TestDAC1Reg register (address 39h); reset value: XXh, 00XXXXXXb . . . . .                  | 67 |
| Table 91. RFCfgReg register (address 26h); reset value: 48h, 01001000b . . . . .                      | 55 | Table 130. Description of TestDAC1Reg bits . . . . .  | 67 |
| Table 92. Description of RFCfgReg bits . . . . .  | 55 | Table 131. TestDAC2Reg register (address 3Ah); reset value: XXh, 00XXXXXXb . . . . .                  | 67 |
| Table 93. GsNOnReg register (address 27h); reset value: 88h, 10001000b . . . . .                      | 56 | Table 132. Description of TestDAC2Reg bits . . . . .  | 67 |
| Table 94. Description of GsNOnReg bits . . . . .  | 56 | Table 133. TestADCReg register (address 3Bh); reset value: XXh, XXXXXXXXb . . . . .                   | 67 |
| Table 95. CWGsPReg register (address 28h); reset value: 20h, 00100000b . . . . .                      | 56 | Table 134. Description of TestADCReg bits . . . . .   | 67 |
| Table 96. Description of CWGsPReg bits . . . . .  | 56 | Table 135. RFTReg register (address 3Ch); reset value: FFh, 11111111b . . . . .                       | 68 |
| Table 97. ModGsPReg register (address 29h); reset value: 20h, 00100000b . . . . .                     | 57 | Table 136. Description of RFTReg bits . . . . .   | 68 |
| Table 98. Description of ModGsPReg bits . . . . .   | 57 | Table 137. RFTReg register (address 3Dh, 3Fh); reset value: 00h, 00000000b . . . . .                  | 68 |
| Table 99. TModeReg register (address 2Ah); reset value: 00h, 00000000b . . . . .                      | 57 | Table 138. Description of RFTReg bits . . . . .   | 68 |
| Table 100. Description of TModeReg bits . . . . .   | 57 | Table 139. RFTReg register (address 3Eh); reset value: 03h, 00000011b . . . . .                       | 68 |
| Table 101. TPrescalerReg register (address 2Bh); reset value: 00h, 00000000b . . . . .                | 58 | Table 140. Description of RFTReg bits . . . . .   | 68 |
| Table 102. Description of TPrescalerReg bits . . . . .  | 58 | Table 141. Connection protocol for detecting different interface types . . . . .                      | 69 |
| Table 103. TReloadReg (Higher bits) register (address 2Ch); reset value: 00h, 00000000b . . . . .     | 59 | Table 142. Connection scheme for detecting the different interface types . . . . .                    | 69 |
| Table 104. Description of the higher TReloadReg bits . . . . .  | 59 | Table 143. MOSI and MISO byte order . . . . .   | 70 |
| Table 105. TReloadReg (Lower bits) register (address 2Dh); reset value: 00h, 00000000b . . . . .      | 59 | Table 144. MOSI and MISO byte order . . . . .   | 71 |
| Table 106. Description of lower TReloadReg bits . . . . .   | 59 | Table 145. Address byte 0 register; address MOSI . . . . .  | 71 |
| Table 107. TCounterValReg (Higher bits) register (address 2Eh); reset value: XXh, XXXXXXXXb . . . . . | 60 | Table 146. BR_T0 and BR_T1 settings . . . . .   | 72 |
| Table 108. Description of the higher TCounterValReg bits . . . . .                                    | 60 | Table 147. Selectable UART transfer speeds . . . . .  | 72 |
| Table 109. TCounterValReg (Lower bits) register (address 2Fh); reset value: XXh, XXXXXXXXb . . . . .  | 60 | Table 148. UART framing . . . . .   | 72 |
| Table 110. Description of lower TCounterValReg bits . . . . .   | 60 | Table 149. Read data byte order . . . . .   | 73 |
| Table 111. PageReg register (address 30h); reset value: 00h, 00000000b . . . . .                      | 60 | Table 150. Write data byte order . . . . .  | 73 |
| Table 112. Description of PageReg bits . . . . .  | 61 | Table 151. Address byte 0 register; address MOSI . . . . .  | 75 |
| Table 113. TestSel1Reg register (address 31h); reset value: 00h, 00000000b . . . . .                  | 62 | Table 152. Supported interface types . . . . .  | 82 |
| Table 114. Description of TestSel1Reg bits . . . . .  | 62 | Table 153. Register and bit settings controlling the signal on pin TX1 . . . . .                      | 84 |
| Table 115. TestSel2Reg register (address 32h); reset value: 00h, 00000000b . . . . .                  | 62 | Table 154. Register and bit settings controlling the signal on pin TX2 . . . . .                      | 85 |
| Table 116. Description of TestSel2Reg bits . . . . .  | 62 | Table 155. Setting of the bits RFLevel in register RFCfgReg (RFLevel amplifier deactivated) . . . . . | 86 |
|   |    | Table 156. CRC coprocessor parameters . . . . .   | 93 |
|   |    | Table 157. Interrupt sources . . . . .  | 95 |

|  |     |
|--|-----|
| Table 158. Command overview  | 101 |
| Table 159. Testsignal routing (TestSel2Reg = 07h)                  | 107 |
| Table 160. Description of Testsignals                              | 107 |
| Table 161. Testsignal routing (TestSel2Reg = 0Dh)                  | 108 |
| Table 162. Description of Testsignals                              | 108 |
| Table 163. Testsignal routing (TestSel2Reg = 19h)                  | 108 |
| Table 164. Description of Testsignals                              | 108 |
| Table 165. Testsignals description                                 | 108 |
| Table 166. Limiting values   | 111 |
| Table 167. Operating conditions                                    | 111 |
| Table 168. Thermal characteristics                                 | 112 |
| Table 169. Characteristics   | 112 |
| Table 170. SPI timing characteristics                              | 117 |
| Table 171. I <sup>2</sup> C-bus timing in Fast mode                | 117 |
| Table 172. AC symbols  | 119 |
| Table 173. Timing specification for separated Read/Write<br>strobe | 119 |
| Table 174. Timing specification for common Read/Write<br>strobe    | 120 |
| Table 175. Package information                                     | 122 |
| Table 176. Abbreviations   | 126 |
| Table 177. Revision history  | 127 |

### 35. Figures

Fig 1. Simplified block diagram of the PN512 ..... 6

Fig 2. Detailed block diagram of the PN512 ..... 7

Fig 3. Pinning configuration HVQFN32 (SOT617-1) .... 8

Fig 4. Pinning configuration HVQFN40 (SOT618-1) .... 8

Fig 5. Pin configuration TFBGA64 (SOT1336-1) ..... 9

Fig 6. PN512 Read/Write mode ..... 14

Fig 7. ISO/IEC 14443 A/MIFARE Read/Write mode communication diagram ..... 14

Fig 8. Data coding and framing according to ISO/IEC 14443 A ..... 15

Fig 9. FeliCa reader/writer communication diagram ... 16

Fig 10. NFCIP-1 mode ..... 17

Fig 11. Active communication mode ..... 18

Fig 12. Passive communication mode ..... 19

Fig 13. SPI connection to host ..... 70

Fig 14. UART connection to microcontrollers ..... 71

Fig 15. UART read data timing diagram ..... 73

Fig 16. UART write data timing diagram ..... 74

Fig 17. I<sup>2</sup>C-bus interface ..... 75

Fig 18. Bit transfer on the I<sup>2</sup>C-bus ..... 76

Fig 19. START and STOP conditions ..... 76

Fig 20. Acknowledge on the I<sup>2</sup>C-bus ..... 77

Fig 21. Data transfer on the I<sup>2</sup>C-bus ..... 77

Fig 22. First byte following the START procedure ..... 78

Fig 23. Register read and write access ..... 79

Fig 24. I<sup>2</sup>C-bus HS mode protocol switch ..... 80

Fig 25. I<sup>2</sup>C-bus HS mode protocol frame ..... 81

Fig 26. Connection to host controller with separated Read/Write strobes ..... 83

Fig 27. Connection to host controller with common Read/Write strobes ..... 83

Fig 28. Data mode detector ..... 87

Fig 29. Serial data switch for TX1 and TX2 ..... 88

Fig 30. Communication flows using the S<sup>2</sup>C interface... 89

Fig 31. Signal shape for SIGOUT in FeliCa card SAM mode ..... 90

Fig 32. Signal shape for SIGIN in SAM mode ..... 90

Fig 33. Signal shape for SIGOUT in MIFARE Card SAM mode ..... 91

Fig 34. Signal shape for SIGIN in MIFARE Card SAM mode ..... 91

Fig 35. Quartz crystal connection ..... 99

Fig 36. Oscillator start-up time ..... 100

Fig 37. Autocoll Command ..... 104

Fig 38. Typical circuit diagram ..... 110

Fig 39. Pin RX input voltage range ..... 117

Fig 40. Timing diagram for SPI ..... 118

Fig 41. Timing for Fast and Standard mode devices on the I<sup>2</sup>C-bus ..... 118

Fig 42. Timing diagram for separated Read/Write strobe ..... 120

Fig 43. Timing diagram for common Read/Write strobe 121

Fig 44. Package outline package version (HVQFN32) . 123

Fig 45. Package outline package version (HVQFN40) . 124

Fig 46. Package outline package version (TFBGA64) . 125



### 36. Contents

|          |   |           |          |   |           |
|----------|---|-----------|----------|---|-----------|
| <b>1</b> | <b>General description</b> . . . . .    | <b>1</b>  | 8.2.2.5  | TxControlReg                                  | 40        |
| 1.1      | Different available versions            | 2         | 8.2.2.6  | TxAutoReg                                     | 41        |
| <b>2</b> | <b>Features and benefits</b> . . . . .  | <b>3</b>  | 8.2.2.7  | TxSelReg                                      | 42        |
| <b>3</b> | <b>Quick reference data</b> . . . . .   | <b>4</b>  | 8.2.2.8  | RxSelReg                                      | 44        |
| <b>4</b> | <b>Ordering information</b> . . . . .   | <b>5</b>  | 8.2.2.9  | RxThresholdReg                                | 44        |
| <b>5</b> | <b>Block diagram</b> . . . . .          | <b>6</b>  | 8.2.2.10 | DemodReg                                      | 45        |
| <b>6</b> | <b>Pinning information</b> . . . . .    | <b>8</b>  | 8.2.2.11 | FelNFC1Reg                                    | 46        |
| 6.1      | Pinning                                 | 8         | 8.2.2.12 | FelNFC2Reg                                    | 47        |
| 6.2      | Pin description                         | 10        | 8.2.2.13 | MifNFCReg                                     | 48        |
| <b>7</b> | <b>Functional description</b> . . . . . | <b>14</b> | 8.2.2.14 | ManualRCVReg                                  | 49        |
| 7.1      | ISO/IEC 14443 A/MIFARE functionality    | 14        | 8.2.2.15 | TypeBReg                                      | 50        |
| 7.2      | ISO/IEC 14443 B functionality           | 15        | 8.2.2.16 | SerialSpeedReg                                | 50        |
| 7.3      | FeliCa reader/writer functionality      | 16        | 8.2.3    | Page 2: Configuration                         | 52        |
| 7.3.1    | FeliCa framing and coding               | 16        | 8.2.3.1  | PageReg                                       | 52        |
| 7.4      | NFCIP-1 mode                            | 17        | 8.2.3.2  | CRCResultReg                                  | 52        |
| 7.4.1    | Active communication mode               | 18        | 8.2.3.3  | GsNOffReg                                     | 53        |
| 7.4.2    | Passive communication mode              | 19        | 8.2.3.4  | ModWidthReg                                   | 54        |
| 7.4.3    | NFCIP-1 framing and coding              | 20        | 8.2.3.5  | TxBitPhaseReg                                 | 54        |
| 7.4.4    | NFCIP-1 protocol support                | 20        | 8.2.3.6  | RFCfgReg                                      | 55        |
| 7.4.5    | MIFARE Card operation mode              | 20        | 8.2.3.7  | GsNOnReg                                      | 56        |
| 7.4.6    | FeliCa Card operation mode              | 21        | 8.2.3.8  | CWGsPReg                                      | 56        |
| <b>8</b> | <b>PN512 register SET</b> . . . . .     | <b>21</b> | 8.2.3.9  | ModGsPReg                                     | 57        |
| 8.1      | PN512 registers overview                | 21        | 8.2.3.10 | TMode Register, TPrescaler Register           | 57        |
| 8.1.1    | Register bit behavior                   | 23        | 8.2.3.11 | TReloadReg                                    | 59        |
| 8.2      | Register description                    | 24        | 8.2.3.12 | TCounterValReg                                | 60        |
| 8.2.1    | Page 0: Command and status              | 24        | 8.2.4    | Page 3: Test                                  | 60        |
| 8.2.1.1  | PageReg                                 | 24        | 8.2.4.1  | PageReg                                       | 60        |
| 8.2.1.2  | CommandReg                              | 24        | 8.2.4.2  | TestSel1Reg                                   | 62        |
| 8.2.1.3  | CommIEnReg                              | 25        | 8.2.4.3  | TestSel2Reg                                   | 62        |
| 8.2.1.4  | DivIEnReg                               | 26        | 8.2.4.4  | TestPinEnReg                                  | 63        |
| 8.2.1.5  | CommIRqReg                              | 27        | 8.2.4.5  | TestPinValueReg                               | 63        |
| 8.2.1.6  | DivIRqReg                               | 28        | 8.2.4.6  | TestBusReg                                    | 64        |
| 8.2.1.7  | ErrorReg                                | 29        | 8.2.4.7  | AutoTestReg                                   | 64        |
| 8.2.1.8  | Status1Reg                              | 30        | 8.2.4.8  | VersionReg                                    | 64        |
| 8.2.1.9  | Status2Reg                              | 31        | 8.2.4.9  | AnalogTestReg                                 | 66        |
| 8.2.1.10 | FIFODataReg                             | 32        | 8.2.4.10 | TestDAC1Reg                                   | 67        |
| 8.2.1.11 | FIFOLevelReg                            | 32        | 8.2.4.11 | TestDAC2Reg                                   | 67        |
| 8.2.1.12 | WaterLevelReg                           | 33        | 8.2.4.12 | TestADCReg                                    | 67        |
| 8.2.1.13 | ControlReg                              | 33        | 8.2.4.13 | RFTReg  | 68        |
| 8.2.1.14 | BitFramingReg                           | 34        | <b>9</b> | <b>Digital interfaces</b>                     | <b>68</b> |
| 8.2.1.15 | CollReg                                 | 35        | 9.1      | Automatic microcontroller interface detection | 68        |
| 8.2.2    | Page 1: Communication                   | 36        | 9.2      | Serial Peripheral Interface                   | 70        |
| 8.2.2.1  | PageReg                                 | 36        | 9.2.1    | SPI read data                                 | 70        |
| 8.2.2.2  | ModeReg                                 | 37        | 9.2.2    | SPI write data                                | 70        |
| 8.2.2.3  | TxModeReg                               | 38        | 9.2.3    | SPI address byte                              | 71        |
| 8.2.2.4  | RxModeReg                               | 39        | 9.3      | UART interface                                | 71        |
|          |   |           | 9.3.1    | Connection to a host                          | 71        |
|          |   |           | 9.3.2    | Selectable UART transfer speeds               | 71        |

continued >>

|           |   |           |           |  |            |
|-----------|---|-----------|-----------|--|------------|
| 9.3.3     | UART framing  | 72        | 17.2      | Oscillator start-up time                   | 99         |
| 9.4       | I <sup>2</sup> C Bus Interface  | 75        | <b>18</b> | <b>PN512 command set</b>                   | <b>100</b> |
| 9.4.1     | Data validity   | 76        | 18.1      | General description                        | 100        |
| 9.4.2     | START and STOP conditions   | 76        | 18.2      | General behavior                           | 100        |
| 9.4.3     | Byte format   | 76        | 18.3      | PN512 command overview                     | 101        |
| 9.4.4     | Acknowledge   | 77        | 18.3.1    | PN512 command descriptions                 | 101        |
| 9.4.5     | 7-Bit addressing  | 78        | 18.3.1.1  | Idle                                       | 101        |
| 9.4.6     | Register write access   | 78        | 18.3.1.2  | Config command                             | 101        |
| 9.4.7     | Register read access  | 79        | 18.3.1.3  | Generate RandomID                          | 102        |
| 9.4.8     | High-speed mode   | 80        | 18.3.1.4  | CalcCRC                                    | 102        |
| 9.4.9     | High-speed transfer   | 80        | 18.3.1.5  | Transmit                                   | 102        |
| 9.4.10    | Serial data transfer format in HS mode                                | 80        | 18.3.1.6  | NoCmdChange                                | 102        |
| 9.4.11    | Switching between F/S mode and HS mode                                | 82        | 18.3.1.7  | Receive                                    | 102        |
| 9.4.12    | PN512 at lower speed modes  | 82        | 18.3.1.8  | Transceive                                 | 103        |
| <b>10</b> | <b>8-bit parallel interface</b>                                       | <b>82</b> | 18.3.1.9  | AutoColl                                   | 103        |
| 10.1      | Overview of supported host controller interfaces                      | 82        | 18.3.1.10 | MFAuthent                                  | 105        |
| 10.2      | Separated Read/Write strobe   | 83        | 18.3.1.11 | SoftReset                                  | 106        |
| 10.3      | Common Read/Write strobe  | 83        | <b>19</b> | <b>Testsignals</b>                         | <b>107</b> |
| <b>11</b> | <b>Analog interface and contactless UART</b>                          | <b>84</b> | 19.1      | Selftest                                   | 107        |
| 11.1      | General   | 84        | 19.2      | Testbus                                    | 107        |
| 11.2      | TX driver   | 84        | 19.3      | Testsignals at pin AUX                     | 108        |
| 11.3      | RF level detector   | 85        | 19.4      | PRBS                                       | 109        |
| 11.4      | Data mode detector  | 86        | <b>20</b> | <b>Errata sheet</b>                        | <b>109</b> |
| 11.5      | Serial data switch  | 88        | <b>21</b> | <b>Application design-in information</b>   | <b>110</b> |
| 11.6      | S <sup>2</sup> C interface support                                    | 88        | <b>22</b> | <b>Limiting values</b>                     | <b>111</b> |
| 11.6.1    | Signal shape for Felica S <sup>2</sup> C interface support            | 90        | <b>23</b> | <b>Recommended operating conditions</b>    | <b>111</b> |
| 11.6.2    | Waveform shape for ISO/IEC 14443A and MIFARE S <sup>2</sup> C support | 91        | <b>24</b> | <b>Thermal characteristics</b>             | <b>112</b> |
| 11.7      | Hardware support for FeliCa and NFC polling                           | 92        | <b>25</b> | <b>Characteristics</b>                     | <b>112</b> |
| 11.7.1    | Polling sequence functionality for initiator                          | 92        | 25.1      | Timing characteristics                     | 117        |
| 11.7.2    | Polling sequence functionality for target                             | 92        | 25.2      | 8-bit parallel interface timing            | 119        |
| 11.7.3    | Additional hardware support for FeliCa and NFC                        | 93        | 25.2.1    | AC symbols                                 | 119        |
| 11.7.4    | CRC coprocessor   | 93        | 25.2.2    | AC operating specification                 | 119        |
| <b>12</b> | <b>FIFO buffer</b>  | <b>94</b> | 25.2.2.1  | Bus timing for separated Read/Write strobe | 119        |
| 12.1      | Accessing the FIFO buffer   | 94        | 25.2.2.2  | Bus timing for common Read/Write strobe    | 120        |
| 12.2      | Controlling the FIFO buffer   | 94        | <b>26</b> | <b>Package information</b>                 | <b>122</b> |
| 12.3      | FIFO buffer status information  | 94        | <b>27</b> | <b>Package outline</b>                     | <b>123</b> |
| <b>13</b> | <b>Interrupt request system</b>                                       | <b>95</b> | <b>28</b> | <b>Abbreviations</b>                       | <b>126</b> |
| 13.1      | Interrupt sources overview  | 95        | <b>29</b> | <b>Glossary</b>                            | <b>126</b> |
| <b>14</b> | <b>Timer unit</b>   | <b>96</b> | <b>30</b> | <b>References</b>                          | <b>126</b> |
| <b>15</b> | <b>Power reduction modes</b>  | <b>98</b> | <b>31</b> | <b>Revision history</b>                    | <b>127</b> |
| 15.1      | Hard power-down   | 98        | <b>32</b> | <b>Legal information</b>                   | <b>129</b> |
| 15.2      | Soft power-down mode  | 98        | 32.1      | Data sheet status                          | 129        |
| 15.3      | Transmitter power-down mode   | 98        | 32.2      | Definitions                                | 129        |
| <b>16</b> | <b>Oscillator circuitry</b>   | <b>99</b> | 32.3      | Disclaimers                                | 129        |
| <b>17</b> | <b>Reset and oscillator start-up time</b>                             | <b>99</b> | 32.4      | Licenses                                   | 130        |
| 17.1      | Reset timing requirements   | 99        | 32.5      | Trademarks                                 | 130        |
|           |   |           | <b>33</b> | <b>Contact information</b>                 | <b>130</b> |

continued >>



34 Tables ..... 131  
35 Figures ..... 134  
36 Contents ..... 135

---

Please be aware that important notices concerning this document and the product(s) described herein, have been included in section 'Legal information'.

---

© NXP Semiconductors N.V. 2020. All rights reserved.

For more information, please visit: <http://www.nxp.com>  
For sales office addresses, please send an email to: [salesaddresses@nxp.com](mailto:salesaddresses@nxp.com)

Date of release: 17 March 2020  
111353