



## Main

Range of product	OsiSense XCC
Encoder type	Multiturn absolute encoder
Device short name	XCC
Product specific application	-
Diameter	2.28 in (58 mm)
Shaft diameter	0.39 in (10 mm)
Shaft type	Solid shaft
Resolution	4096 turns/8192 points
Electrical connection	1 male connector M23 radial 12 pins
Output stage	Type SG
Type of output stage	SSI 25-bit gray
[Us] rated supply voltage	11...30 V DC
Enclosure material	Steel

## Complementary

Residual ripple	500 mV
Maximum revolution speed	6000 rpm
Shaft moment of inertia	0 lb.in <sup>2</sup> (10 g.cm <sup>2</sup> )
Torque value	0.04 lbf.in (0.004 N.m)
Maximum load	10 daN radial 5 daN axial
Output frequency	100...500 kHz
Current consumption	0...100 mA no-load
Protection type	Reverse polarity protection Short-circuit protection
Physical interface	RS422
Output level	High level: 2 V minimum 20 mA
Surge withstand	1 kV level 2 IEC 61000-4-5
Base material	Aluminium
Shaft material	Stainless steel
Type of ball bearings	6900ZZ1
Product weight	1.51 lb(US) (0.685 kg)

## Environment

marking	CE
ambient air temperature for operation	-4...185 °F (-20...85 °C)
ambient air temperature for storage	-4...185 °F (-20...85 °C)
IP degree of protection	IP65 IEC 60529
vibration resistance	10 gn (10...2000 Hz) IEC 60068-2-6
shock resistance	30 gn (11 ms) IEC 60068-2-27
resistance to electrostatic discharge	4 kV contact discharge level 3 IEC 61000-4-2 8 kV air discharge level 3 IEC 61000-4-2
resistance to electromagnetic fields	9.14 V/yd (10 V/m) level 3 IEC 61000-4-3
resistance to fast transients	1 kV signal ports level 3 IEC 61000-4-4 2 kV power ports level 3 IEC 61000-4-4

## Offer Sustainability

Not Green Premium product	Not Green Premium product
---------------------------	---------------------------

The information provided in this documentation contains general descriptions and/or technical characteristics of the performance of the products contained herein. This documentation is not intended as a substitute for and is not to be used for determining suitability or reliability of these products for specific user applications. It is the duty of any such user or integrator to perform the appropriate and complete risk analysis, evaluation and testing of the products with respect to the relevant specific application or use thereof. Neither Schneider Electric Industries SAS nor any of its affiliates or subsidiaries shall be responsible or liable for misuse of the information contained herein.

Reference not containing SVHC above the threshold    Reference not containing SVHC above the threshold

WARNING: This product can expose you to chemicals including:    WARNING: This product can expose you to chemicals including:

Diisononyl phthalate (DINP), which is known to the State of California to cause cancer, and    Diisononyl phthalate (DINP), which is known to the State of California to cause cancer, and

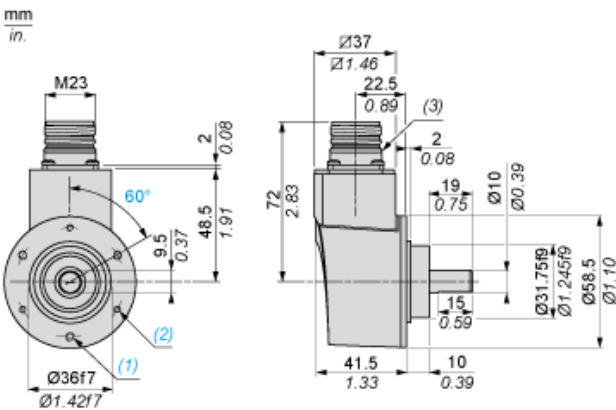
Di-isodecyl phthalate (DIDP), which is known to the State of California to cause birth defects or other reproductive harm.    Di-isodecyl phthalate (DIDP), which is known to the State of California to cause birth defects or other reproductive harm.

For more information go to [www.p65warnings.ca.gov](http://www.p65warnings.ca.gov)    For more information go to [www.p65warnings.ca.gov](http://www.p65warnings.ca.gov)

### Contractual warranty

Warranty period    18 months

### Dimensions

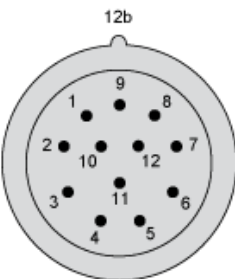


- (1) 3 M4 holes at 120° on 48 PCD, depth: 8 mm
- (2) 3 M3 holes at 120° on 48 PCD, depth: 8 mm
- (3) Nitrile seal

### Wiring Diagram

#### M23, 12-pin Connector, Anticlockwise Connections

Male Connector on Encoder



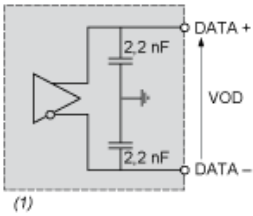
Pin number	1	2	3	4	5	6	7	8	9	10	11	12
Signal Supply	0 V	Data +	Clk +	R	Direction (1)	Reset to zero	R	+ V	R	Data -	Clk -	R

- (1) : Clockwise direction
- : Anticlockwise direction

R = Reserved (do not connect)

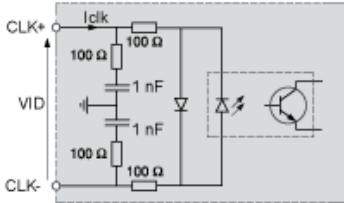
### Technical Description

### RS 422 Data Output



(1)  $I_{data} = 20 \text{ mA}$   $|VOD| > 2 \text{ V}$

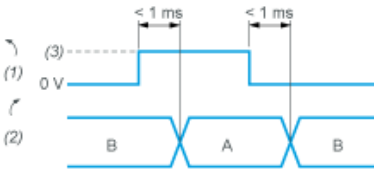
### Isolated Clock Input



VID maximum: 5 V

Iclk maximum: 15 mA

### DIRECTION Input



A : Anticlockwise

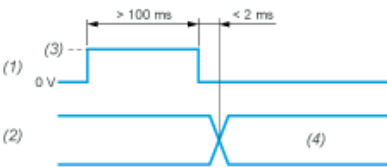
B : Clockwise

(1) DIRECTION input

(2) DIRECTION of counting

(3) V supply

### Input Stage - Reset to Zero



(1) Reset input

(2) Position

(3) V supply

(4) Position=0 (Reset to zero)