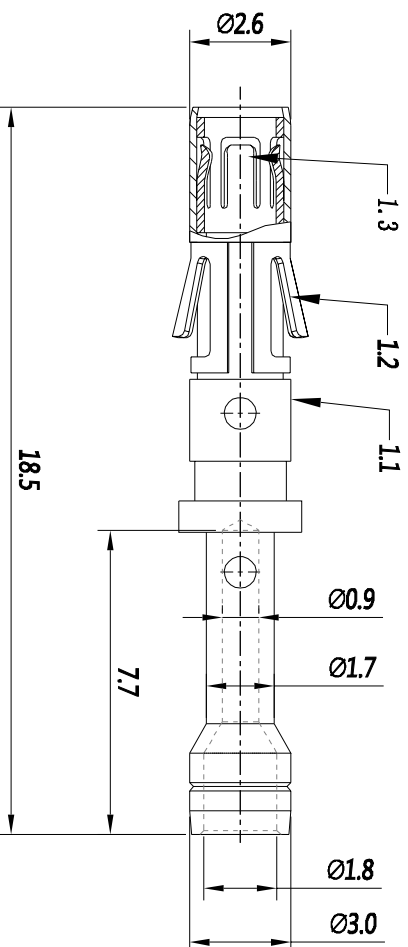


REVISIONS				
REV	ECO	DESCRIPTION	DATE	BY APPR
B1	-	RELEASED DRAWING	JUN-19-2014	BEN TOMMY



P/N	DESCRIPTION
MS24M23F	CONTACT PLATING(MATING AREA) GOLD FLASH PLATING OVER NICKEL.
MS24M23G10	10µ" GOLD PLATING OVER NICKEL.
MS24M23G15	15µ" GOLD PLATING OVER NICKEL.
MS24M23G30	30µ" GOLD PLATING OVER NICKEL.

- NOTES : (UNLESS OTHERWISE SPECIFIED)
- MATERIAL :
 - CONTACT BODY : COPPER ALLOY.
 - POSITIONING CLIP : COPPER ALLOY.
 - CROWN SPRING CONTACT : COPPER ALLOY.
 - SPECIFICATIONS :
 - CURRENT RATING : 13A(MAX).
 - TERMINATION TYPE : CRIMPING.
 - WIRE RANGE : 24~26AWG.
 - SUITABLE SOCKET TYPE : MP24M23xx.
 - ROHS COMPLIANT.
 - ALL DIMENSIONS ARE FOR REFERENCE USE ONLY.

QUANTITY	PART NUMBER	DESCRIPTION	ITEM
		MATERIALS LIST	
		Amphenol	
		Shine Systems - www.amphenol-shine.com 44724 Monkey Drive Clinton Township, MI 48038	
		ECO-MATE SOCKET CONTACT, MACHINE, 24-26AWG, SIZE 18	
		SIZE TYPE B C-	REVISION B1
		SCALE NONE	SHEET 1 OF 1

UNLESS OTHERWISE SPECIFIED
 1) ALL DIMENSIONS ARE IN MILLIMETERS.
 2) TOLERANCES ARE AS SHOWN:
 1 PL DEC 24-26 29 Precision 4/16s
 3 PL DEC 24-26 30 Precision 4/16s
 3) Note reference = MATERIAL SPECIFICATIONS:
 CUSTOMER:
 APPROVAL:
 THIS DRAWING IS SUPPLIED FOR SPECIFICATIONS AND PERFORMANCE DATA. THE DRAWING IS NOT TO BE USED FOR REPRODUCTION AND ALL RIGHTS OF REPRODUCTION ARE RESERVED. ALL MANUFACTURING VARIATION.

PROCESS SPECIFICATIONS:
 NEXT ASST.