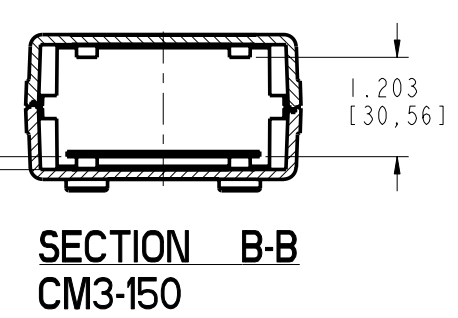
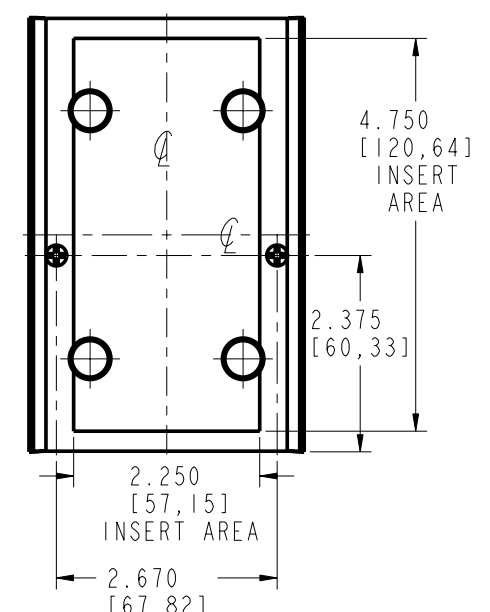
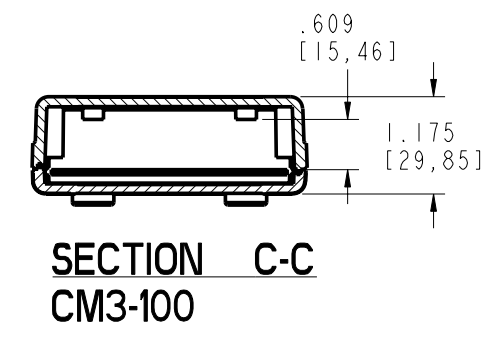
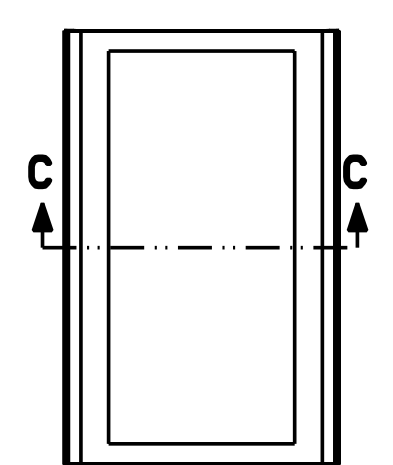


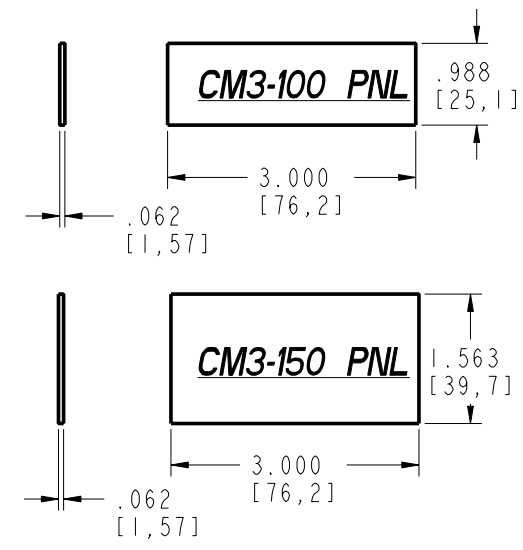
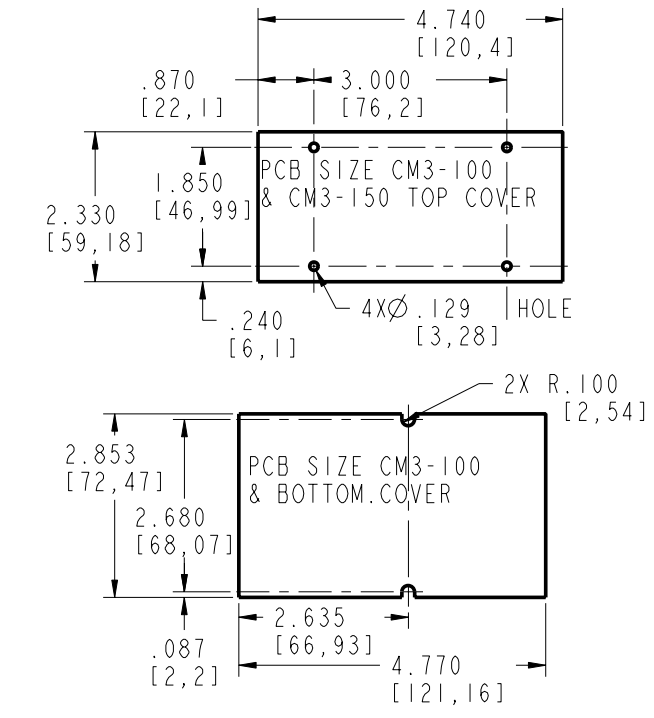
SECTION A-A



SECTION B-B
CM3-150



SECTION C-C
CM3-100



PACINTEC[®]
1-610-361-4231

CM3-100 & 150

VISIT **PACINTEC**[®]
ON THE WORLD WIDE WEB
www.pactecenclosures.com

PCB MTG. SCREW:
PHP#4 TYPE B X 1/4 LG. (4)
(FOR TOP COVER)

COLOR / MATERIAL CODE	
COLOR	94HB 94VO
BLACK	000 028
P.C.BONE	039 060

INSERT AREAS ARE SECTIONS IN OUR TOOLS THAT CAN BE REMOVED AND REPLACED WITH CUSTOMER SPECIFIC DETAILS

DRAWING NUMBER	REV
60279	F