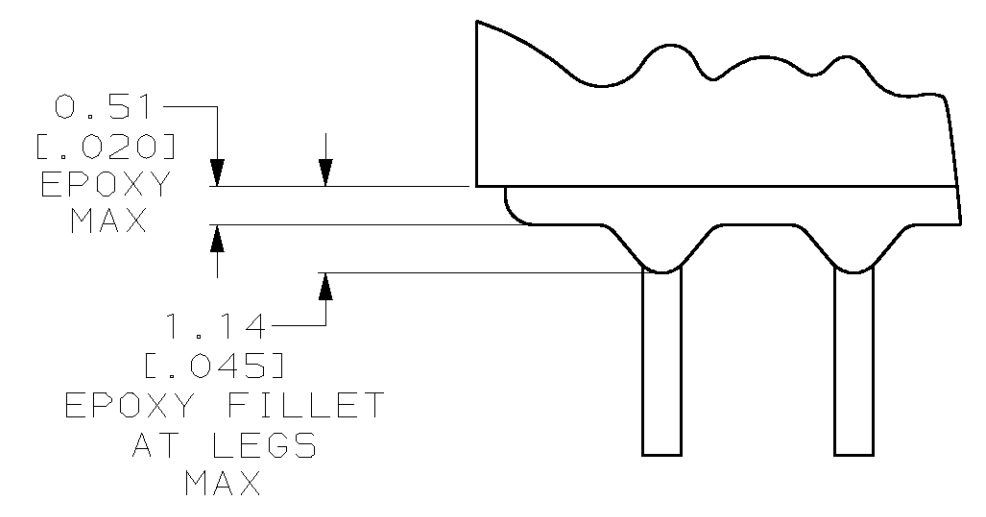
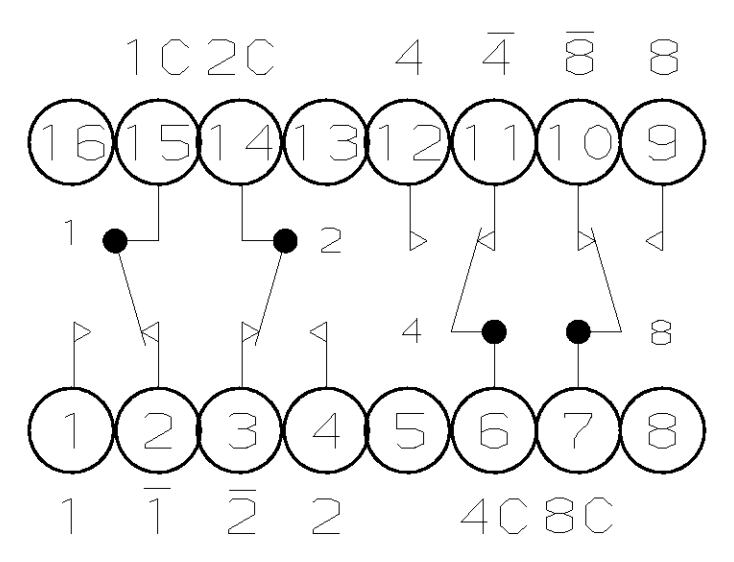


LOC		DIST		REVISIONS			
TR	BY	DATE	DESCRIPTION	DATE	BY	APPROV	
AG	1						
AG		1-8-97	REDRAWN ON CAD PER 0330-0026-96	1-8-97	WS	JR	
AH		02MAY02	REV PER EC 063C-0381-01	02MAY02	MB	HW	



DETAIL A
SCALE 10:1

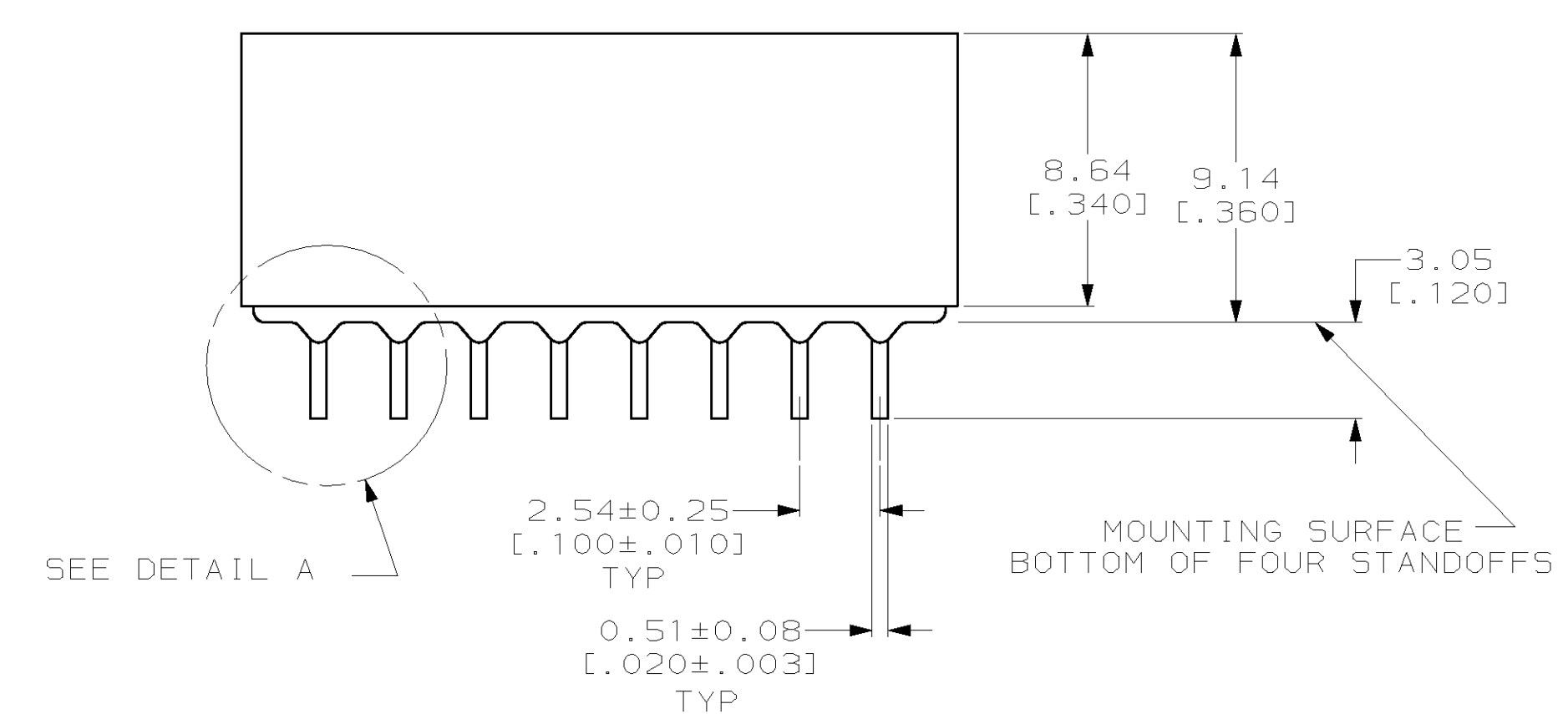
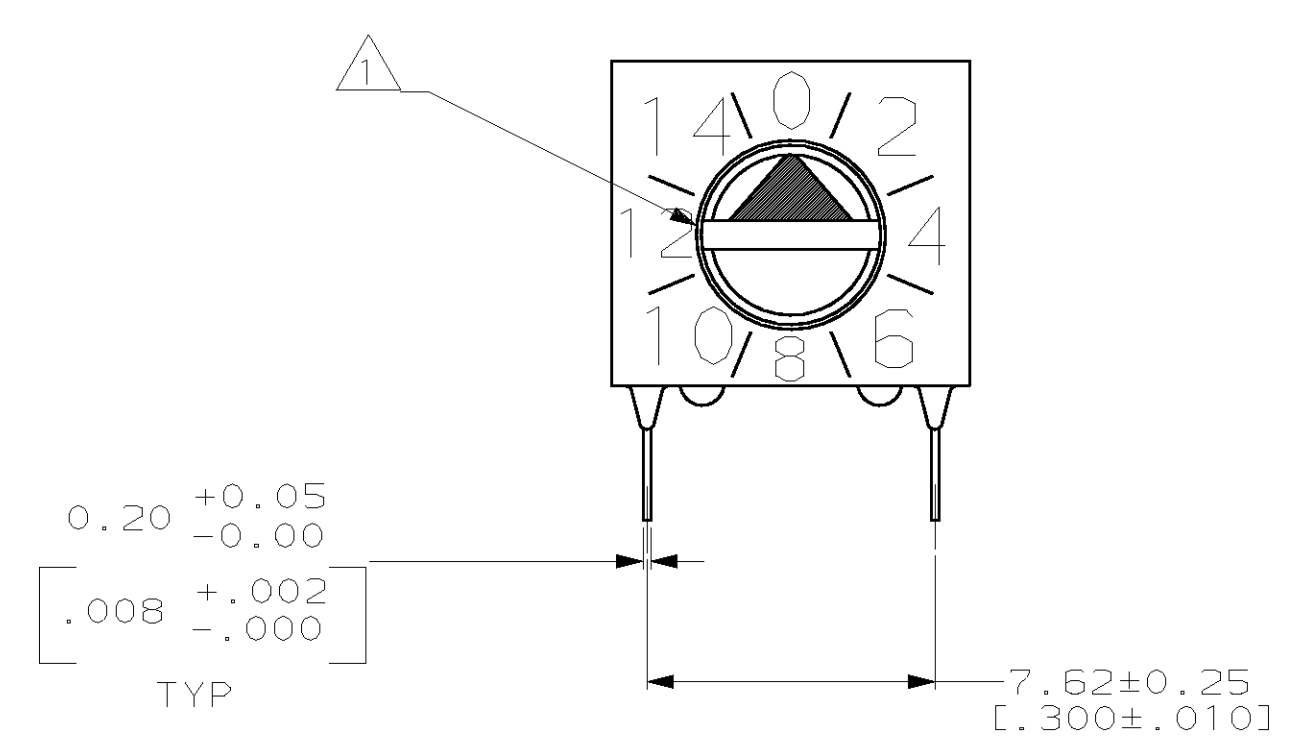
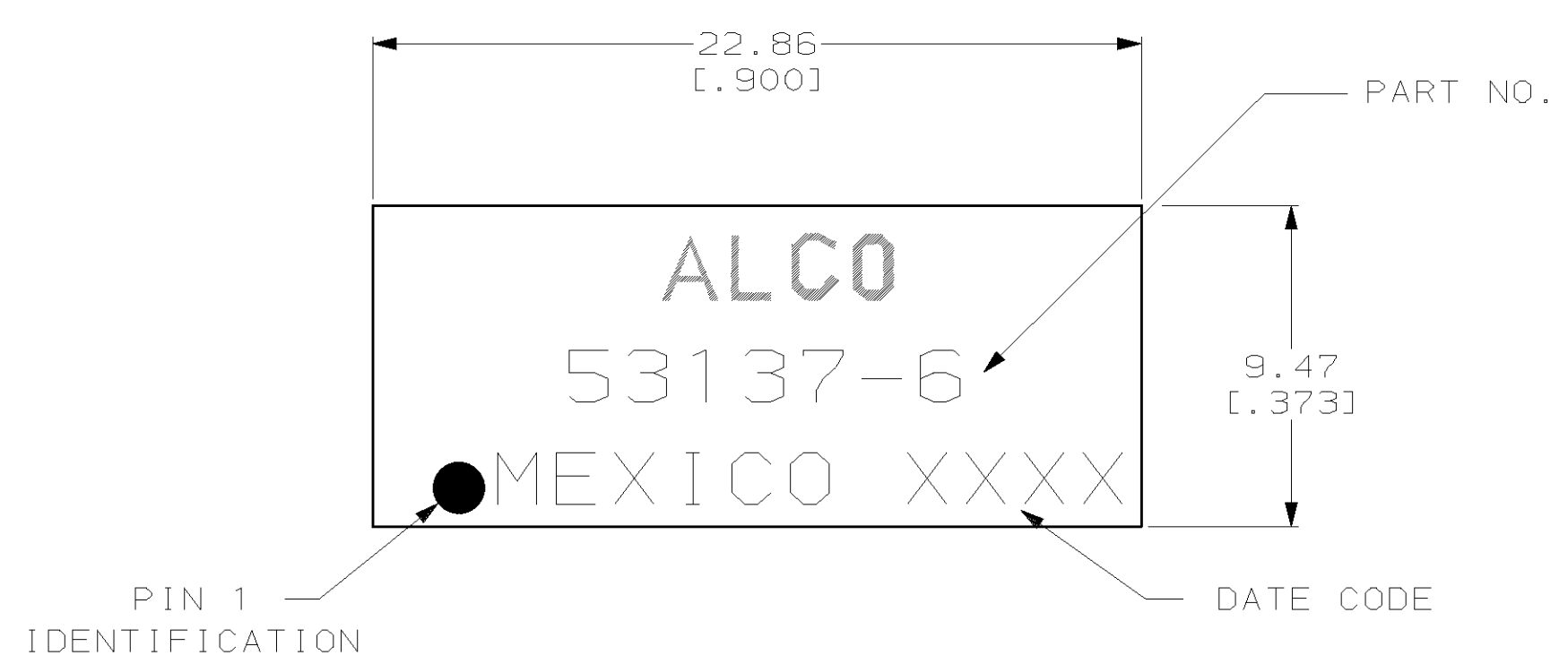


SCHEMATIC
(POSITION 0)

- △ SLOT FOR SCREWDRIVER ACTUATION.
- 2. FOR ADDITIONAL SPECIFICATIONS SEE AMP PRODUCT SPEC 108-7066 AND INSTRUCTION SHEET 6811.
- 3. SWITCH BOTTOM IS SEALED.
- △ CONTACT FINISH TO BE 0.00076 [.000030] GOLD OVER NICKEL.
- △ MATERIAL:
HOUSING : BLACK POLYESTER
CONTACTS : BERYLLIUM COPPER.

		POSITION															
		0	1	2	3	4	5	6	7	8	9	10	11	12	13	14	15
COMMON TO	1		●		●		●		●		●		●		●		●
	2			●	●			●	●			●	●			●	●
	4					●	●	●	●				●	●	●	●	●
	8									●	●	●	●	●	●	●	●
	1	●		●		●		●		●		●		●		●	
	2	●	●			●	●			●	●			●	●		
	4	●	●	●	●					●	●	●	●				
	8	●	●	●	●	●	●	●									

HEXADECIMAL: WITH COMPLEMENT



53137-6
PART NUMBER

DIMENSIONS (mm [INCHES])		TOLERANCES UNLESS OTHERWISE SPECIFIED		DRAWN	
0 PLC	±-	0.10	±0.10	M. SORAH	1-8-97
1 PLC	±-	0.20	±0.20	R. TALLEY	1-8-97
2 PLC	±0.30	0.10	±0.10	J. ROBB	1-8-97
3 PLC	±-	0.15	±0.15		
4 PLC	±-	0.10	±0.10		
ANGLES	±-				
MATERIAL	FINISH	WEIGHT		AMP Incorporated Harrisburg, PA 17105-3608	
CUSTOMER DRAWING		SCALE	5:1	SWITCH ASSY, PREPROGRAMMED DIP, 16 POSITION, SCREWDRIVER SLOT	
		SHEET	1 OF 1	A1 00779 C-53137-6	
		REV		AMP	