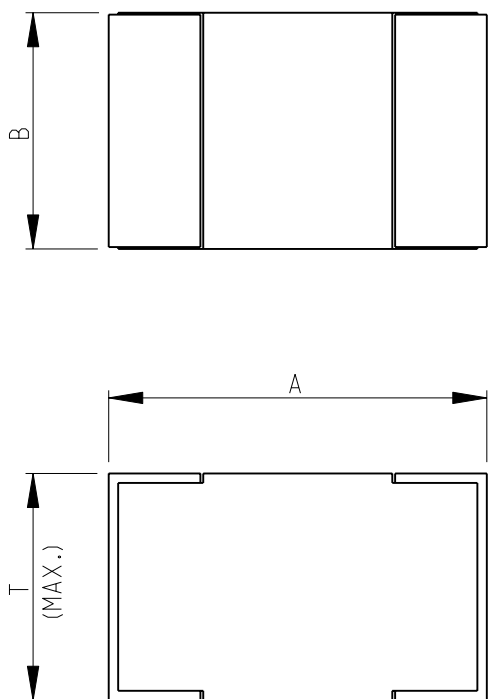
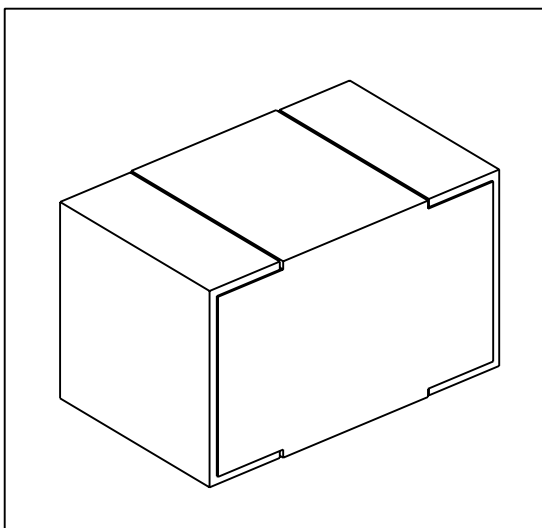


|     |      |           |     |             |           |     |      |
|-----|------|-----------|-----|-------------|-----------|-----|------|
| LOC | DIST | REVISIONS |     |             |           |     |      |
| E   | B    | P         | LTR | DESCRIPTION | DATE      | DWN | APVD |
|     |      |           | BA  | NEW RELEASE | 17-NOV-08 | SM  | St.P |

FOR FURTHER INFORMATION SEE DATA SHEET FOR  
8158 SERIES-THERMISTORS FOR SURFACE MOUNT



RoHS Compliant



|           |        |        |          |
|-----------|--------|--------|----------|
| 8158-1206 | 3.2    | 1.6    | 1.2      |
| 8158-0805 | 2.0    | 1.25   | 1.2      |
| CASE SIZE | A ±0.2 | B ±0.2 | T (MAX.) |

2008

RELEASED FOR PUBLICATION

THIS DRAWING IS UNPUBLISHED.

BY TYCO ELECTRONICS CORPORATION. ALL RIGHTS RESERVED.

|  |      |
|--|------|
| DIMENSIONS:                            |      |
| mm                                     |      |
| TOLERANCES UNLESS OTHERWISE SPECIFIED: |      |
| 0 PLC                                  | ±0.2 |
| 1 PLC                                  | ±0.1 |
| 2 PLC                                  | ±    |
| 3 PLC                                  | ±    |
| 4 PLC                                  | ±    |
| ANGLES                                 | ±5°  |
|  |      |

|                  |           |           |
|------------------|-----------|-----------|
| DWN              | SUBHASH.M | 17-NOV-08 |
| CHK              | PRAKASH.S | 17-NOV-08 |
| APVD             | STEPHEN.P | 17-NOV-08 |
| PRODUCT SPEC     | -         |           |
| APPLICATION SPEC | -         |           |
| WEIGHT           | -         |           |

|   |           |  |               |     |
|---|-----------|--|---------------|-----|
| MATERIAL  | -         |  | FINISH        | -   |
|   |           | Tyco Electronics Corporation<br>Dorcan, Swindon, SN3 5HH |               |     |
| NAME THERMISTORS FOR SURFACE MOUNT<br>SERIES 8158 |           |  |               |     |
| SIZE  | CAGE CODE | DRAWING NO   | RESTRICTED TO |     |
| A 4   | 00779     | ©- 1624328   | -             |     |
| CUSTOMER DRAWING                                  |           | SCALE  | SHEET         | REV |
|   |           | 25:1   | 1 OF 1        | BA  |