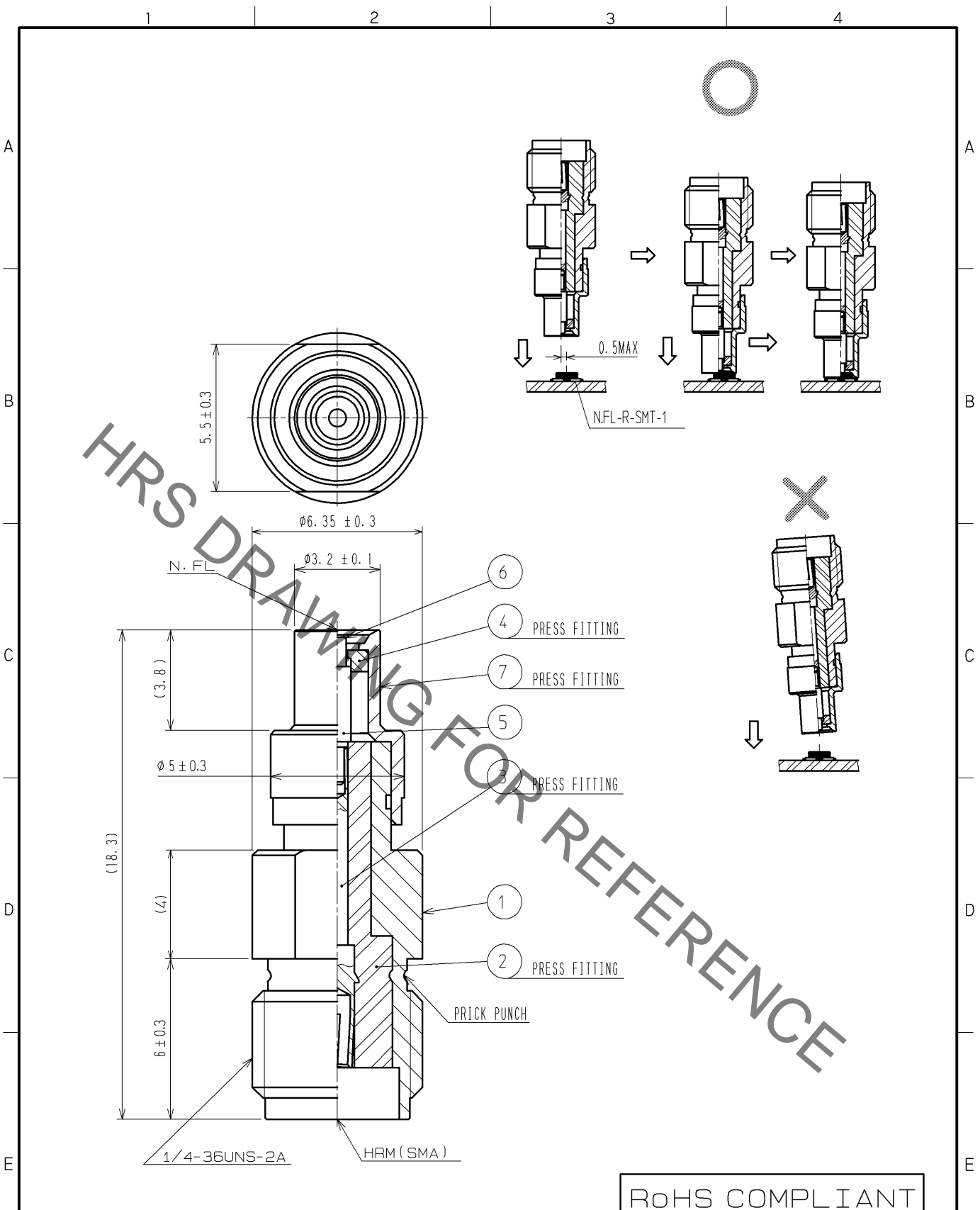


Jul.1.2019 Copyright 2019 HIROSE ELECTRIC CO., LTD. All Rights Reserved.  
 In case of consideration for using Automotive equipment / device which demand high reliability, kindly contact our sales window correspondents.



RoHS COMPLIANT

4	PTFE			7	STAINLESS STEEL	GOLD PLATING
3	BERYLLIUM COPPER	GOLD PLATING		6	BERYLLIUM COPPER	GOLD PLATING(FREE CONTACT)
2	PTFE			5	BRASS	GOLD PLATING
1	BRASS	NICKEL PLATING				
NO.	MATERIAL	FINISH	REMARKS	NO.	MATERIAL	FINISH
			REMARKS			

UNITS mm		SCALE 5 : 1	COUNT 	DESCRIPTION OF REVISIONS	DESIGNED	CHECKED	DATE
<b>HIROSE ELECTRIC CO., LTD.</b>				APPROVED : MH. YAMANE	08. 07. 01	DRAWING NO. EDC4-313475-00	
				CHECKED : MH. TSUCHIDA	08. 06. 30	PART NO. HRMJ-N. FLP-ST5	
				DESIGNED : MY. KOJIMA	08. 06. 27	CODE NO. CL311-0423-2-00	
				DRAWN : MY. KOJIMA	08. 06. 27	1/1	