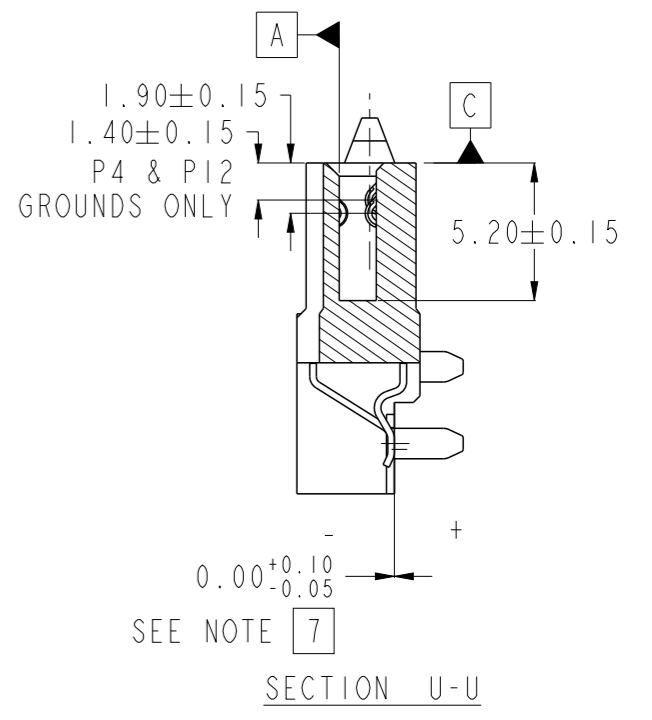
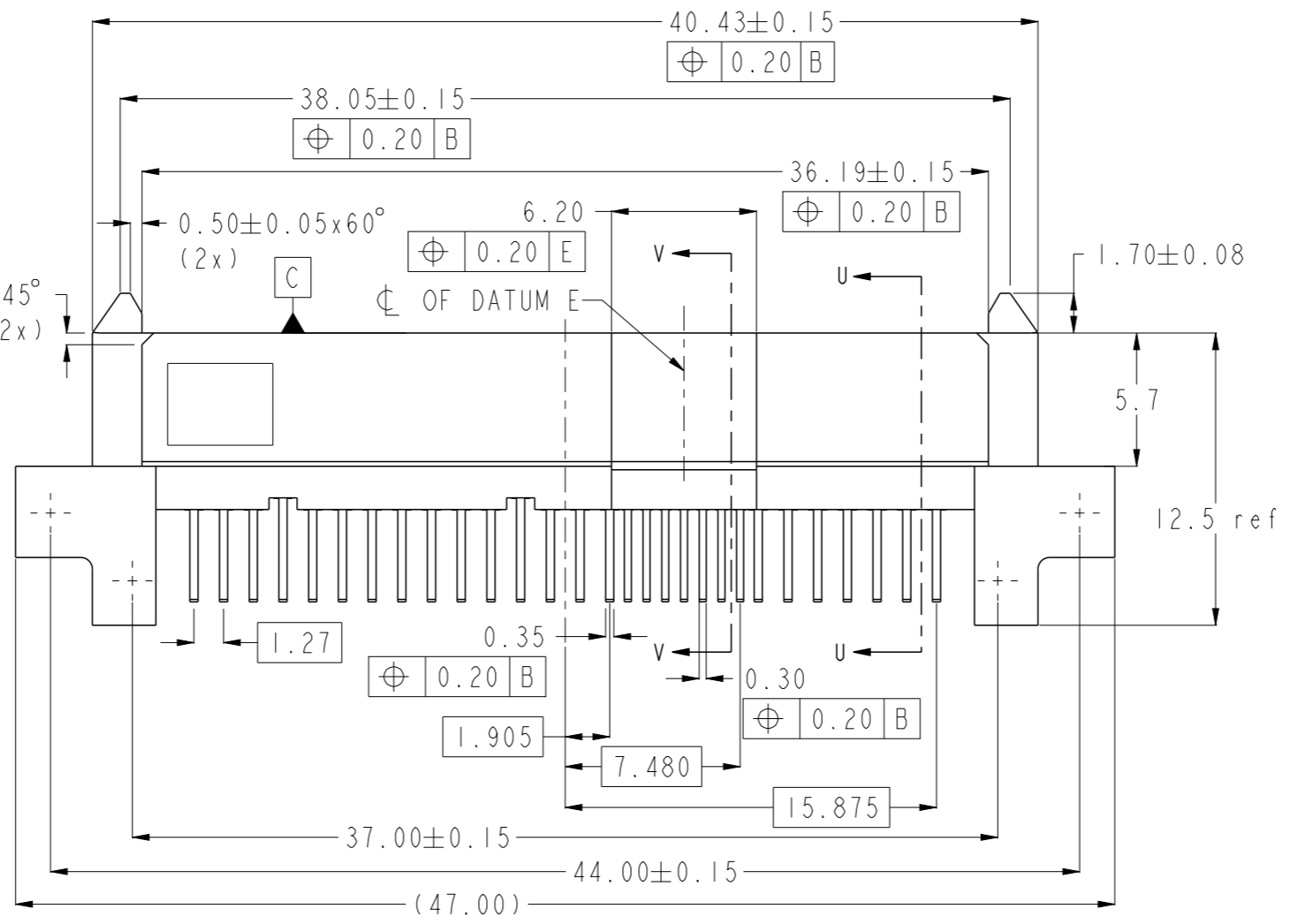
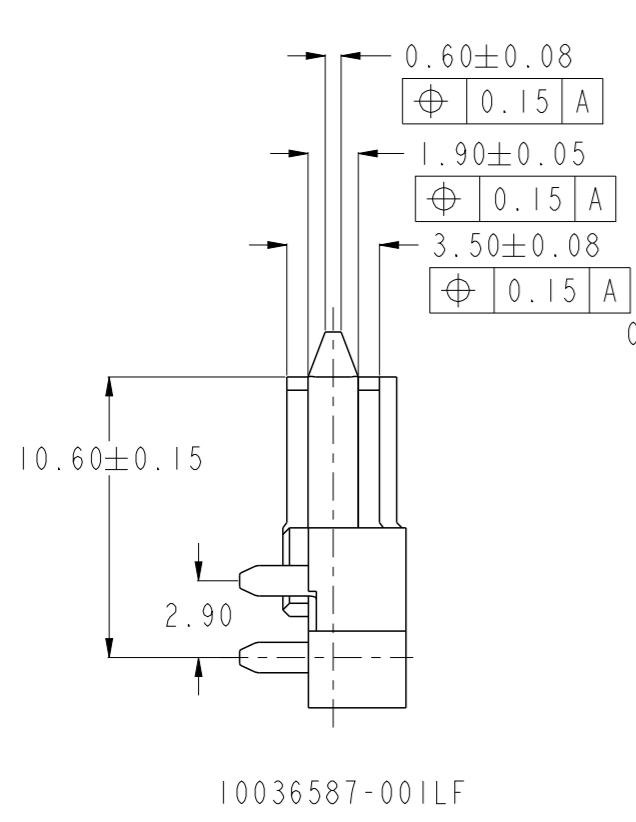
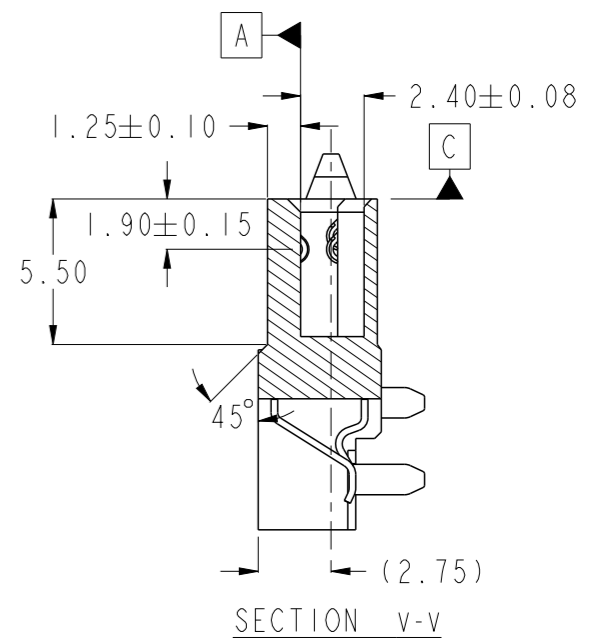
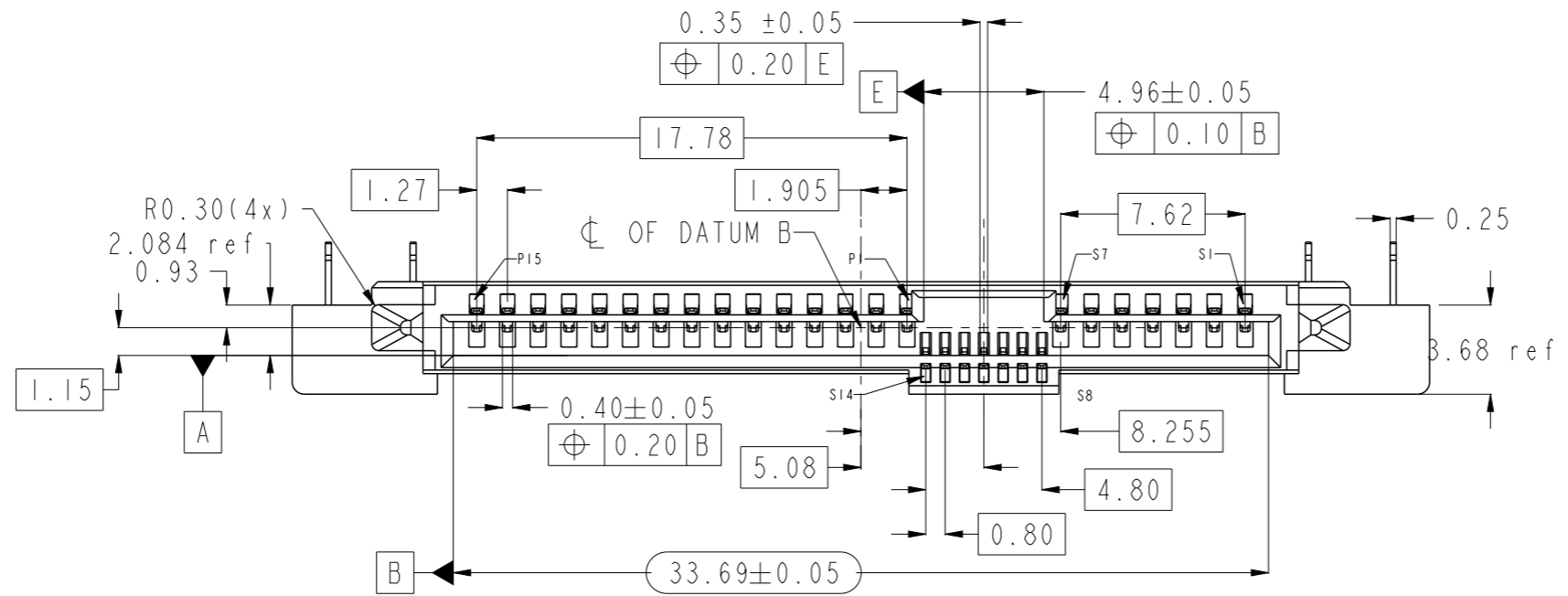


PRODUCT No.
SEE TABLE



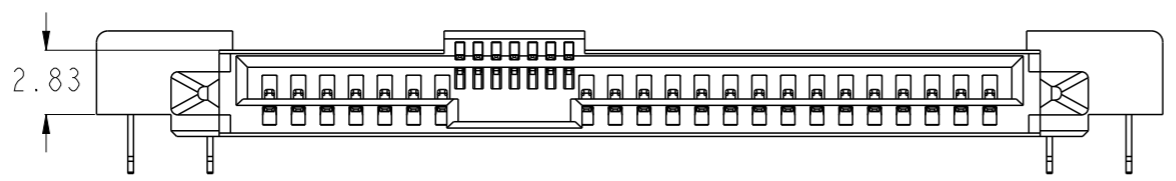
Copyright FCI.

spec ref	dr	wcadmin	2006/03/08	projection	MM	size	A3	scale	2:1
tolerance std	eng	Koon-Poh Tay	2012/06/20			ecn no	ELX-S-011973-1	rel level	Released
ASME Y14.5	chr	-	2012/06/20						
TOLERANCES UNLESS OTHERWISE SPECIFIED	appr	Chen-Hong Tan	2012/06/20			dwg no	10036587	rev	N
surface	linear	0.X	±0.25	SAS RECEPTACLE		Product - Customer Drw		sheet 1 of 3	
		0.XX	±0.2	R/A SMT ASSY		STATUS:Released		Printed: Jun 21, 2012	
		0.XXX	±	www.fci.com		PDS: Rev :N			
ASME Y14.5	angular	0°	±0.2°	cat. no.		Product - Customer Drw		sheet 1 of 3	

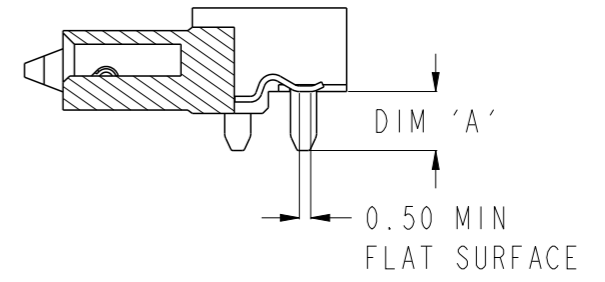
PRODUCT No.	RECOMMENDED PCB THICKNESS	TYPE OF CLIP	DIM 'A'	PACKAGING
10036587-001LF	1.60	METAL BLADE	2.60	TRAY
10036587-001TRLF				TAPE & REEL
10036587-002LF	1.60	FORK LOCK	2.40	TRAY
10036587-002TRLF				TAPE & REEL
10036587-003LF	1.60	METAL BLADE	2.60	TRAY
10036587-003TRLF				TAPE & REEL
10036587-004LF	2.60	METAL BLADE	3.60	TRAY



10036587-001LF



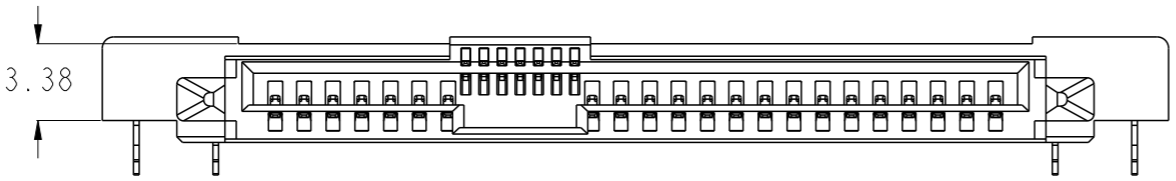
2.83



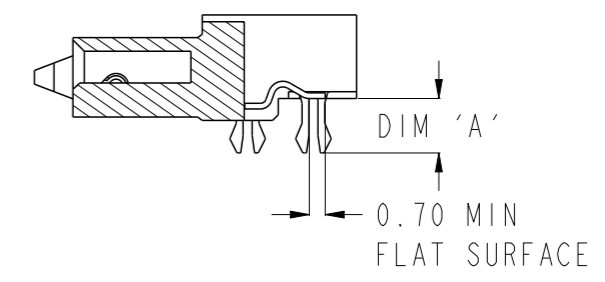
DIM 'A'

0.50 MIN
FLAT SURFACE

10036587-002LF



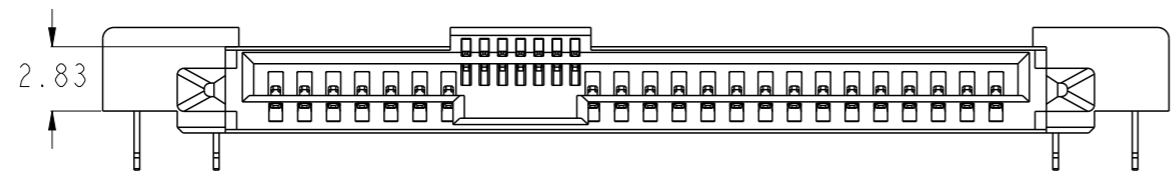
3.38



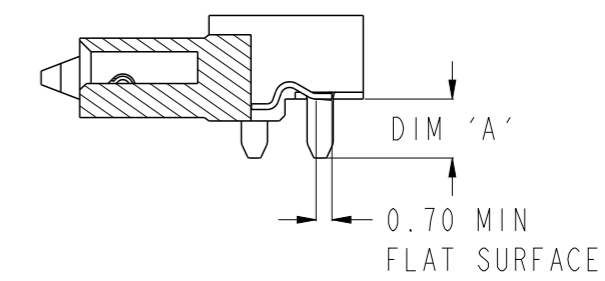
DIM 'A'

0.70 MIN
FLAT SURFACE

10036587-003LF
10036587-004LF



2.83



DIM 'A'

0.70 MIN
FLAT SURFACE

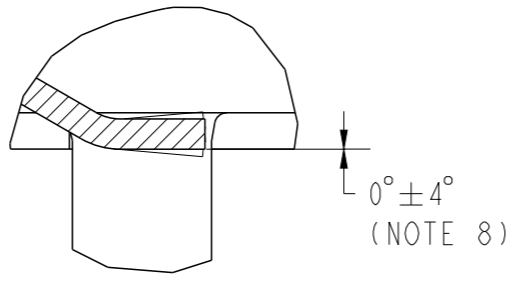
UNSPECIFIED DIMENSIONS PLEASE REFER TO PAGE 1 & 2



Copyright FCI.

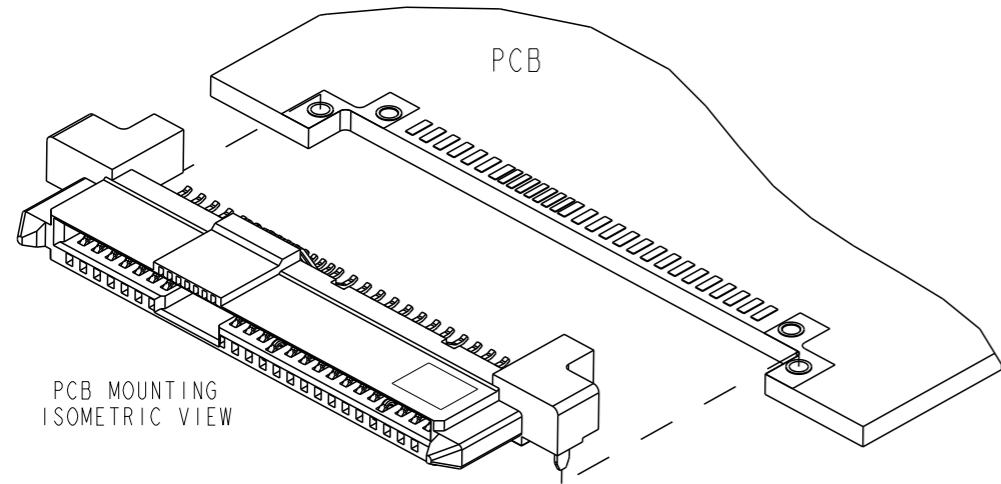
spec ref	dr	wcadmin	2006/03/08	projection	MM	size	A3	scale	2:1
tolerance std	eng	Koon-Poh Tay	2012/06/20			ecn no	ELX-S-011973-1	rel level	Released
ASME Y14.5	chr	-	-						
surface <input checked="" type="checkbox"/> linear ASME Y14.5 angular	appr	Chen-Hong Tan	2012/06/20	product family		rel level			
	linear	0.X	±0.25		SAS RECEPTACLE R/A SMT ASSY	dwg no 10036587	rev N		
	0.XX	±0.2							
0.XXX	±-								
ASME Y14.5	angular	0°	±0.2°	www.fci.com	cat. no.	Product - Customer Drw	sheet 2 of 3		

PRODUCT No.
SEE TABLE



A

N

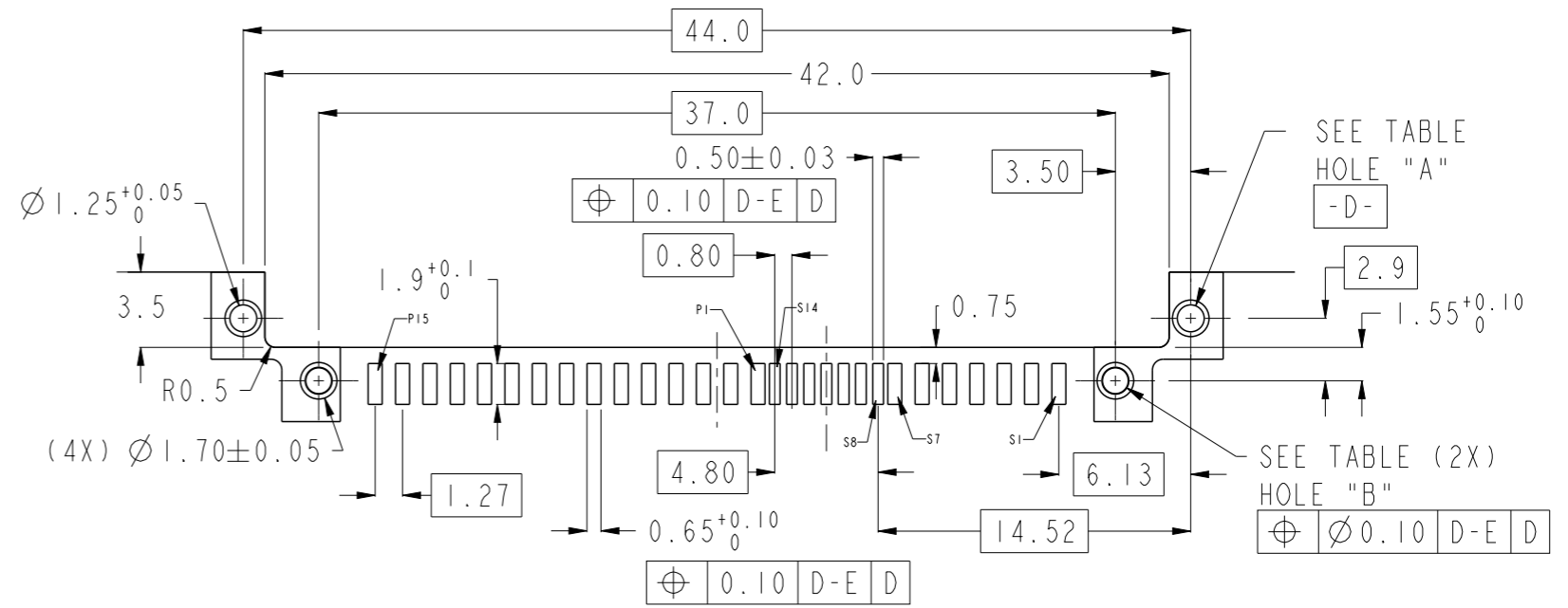


PCB MOUNTING ISOMETRIC VIEW

B

NOTES:-

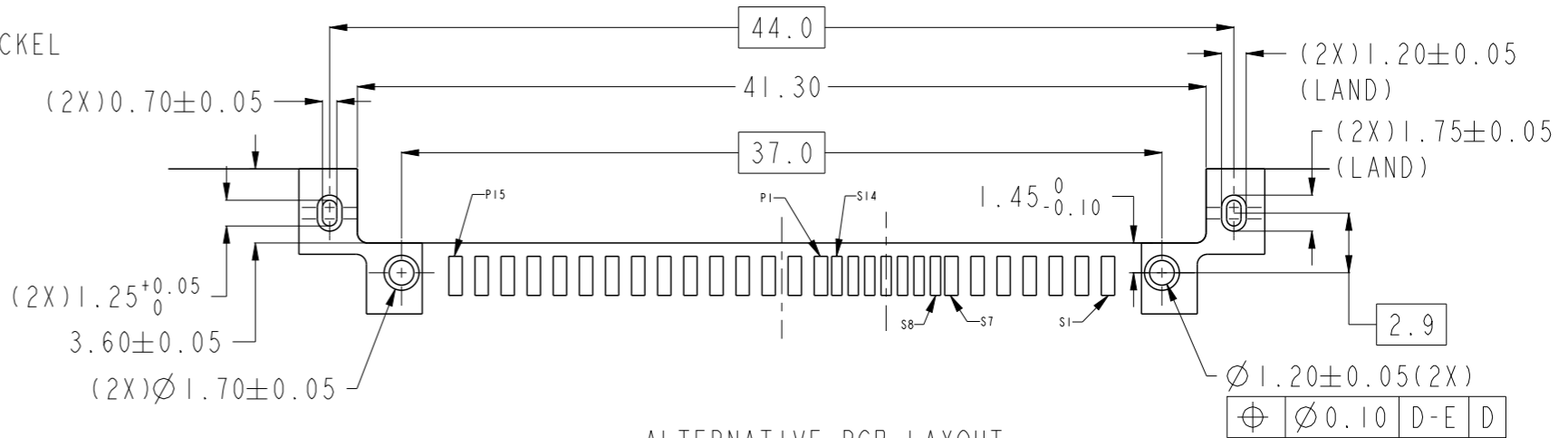
- MATERIAL:
 - HOUSING : HIGH TEMP. THERMOPLASTIC, 94V-0, COLOR: BLACK
 - TERMINAL : COPPER ALLOY
 - HOLD DOWN: COPPER ALLOY
- FINISH:
 - TERMINAL : 30u" Au PLATING (CONTACT PONT) OVER 50u" MIN NICKEL
 - SOLDER TAIL: 100u" MIN TIN OVER 50u" MIN NICKEL
 - HOLD DOWN : 100u" MIN TIN OVER 50u" MIN NICKEL
- PACKAGING:
 - 10036587-XXXLF : REFER TO STANDARD PACKAGING IN TRAY
 - 10036587-XXXTRLF: REFER TO TAPE AND REEL PACKAGING
- THE HOUSING WILL WITHSTAND EXPOSURE TO 260 DEGREES CELSIUS PEAK TEMPERATURE FOR 10 SECONDS IN A CONVECTION, INFRE-RED OR VAPOUR PHASE REFLOW OVEN
- THIS PRODUCT MEETS EUROPEAN UNION DIRECTIVES AND OTHER COUNTRY REGULATIONS AS DESCRIBED IN GS-22-008
- PART NUMBERS ENDING IN 'LF' MEANS FOR NOTE 5 LEAD FREE IDENTIFICATION, P/N XXXXXXXX-XXXLF IS EQUIVALENT TO PREVIOUS P/N XXXXXXXX-XXX
- ALL SOLDER TAIL TO BE WITHIN 0.10mm, MAX COPLANARITY.
- ALL SOLDER TAILS ANGLE CONTROL SHALL BE 0° ± 4° AND APPLIED TO P/n 10036587-XXXLF.
- A SYMBOL BE NEXT TO ANY DIMENSION, VIEW, OR NOTE WHICH HAS BEEN MODIFIED WITH THE CURRENT DRAWING REVISION.



RECOMMENDED PCB LAYOUT

RECOMMENDED PCB T: 1.6mm
TOLERANCE UNLESS OTHERWISE: ±0.1

	HOLE "A"	HOLE "B"	REMARKS
RECOMMENDED 1	∅1.25 ^{+0.05} / ₋₀	∅1.20 ^{+0.05} / ₋₀	STD
RECOMMENDED 2	∅1.20 ±0.05	∅1.20 ±0.05	CUSTOMISE



ALTERNATIVE PCB LAYOUT

REFER TO ABOVE RECOMMENDED PCB LAYOUT FOR UNSPECIFIED DIMENSIONS
RECOMMENDED PCB T: 1.6mm
TOLERANCE UNLESS OTHERWISE: ±0.1



Copyright FCI.

D

spec ref	dr	wcadmin	2006/03/08	projection	MM	size	A3	scale	2:1
tolerance std	eng	Koon-Poh Tay	2012/06/20		← →	ecn no	ELX-S-011973-1	rel level	Released
ASME Y14.5	chr	-	2012/06/20						
surface	appr	Chen-Hong Tan	2012/06/20	SAS RECEPTACLE		dwg no	10036587	rev	N
ASME Y14.5	www.fci.com		cat. no.	R/A SMT ASSY		Product - Customer Drw		sheet 3 of 3	