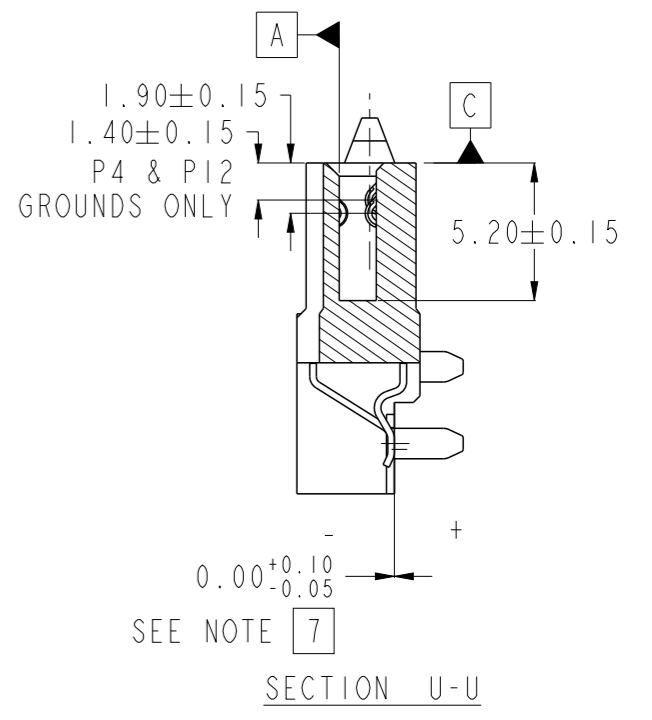
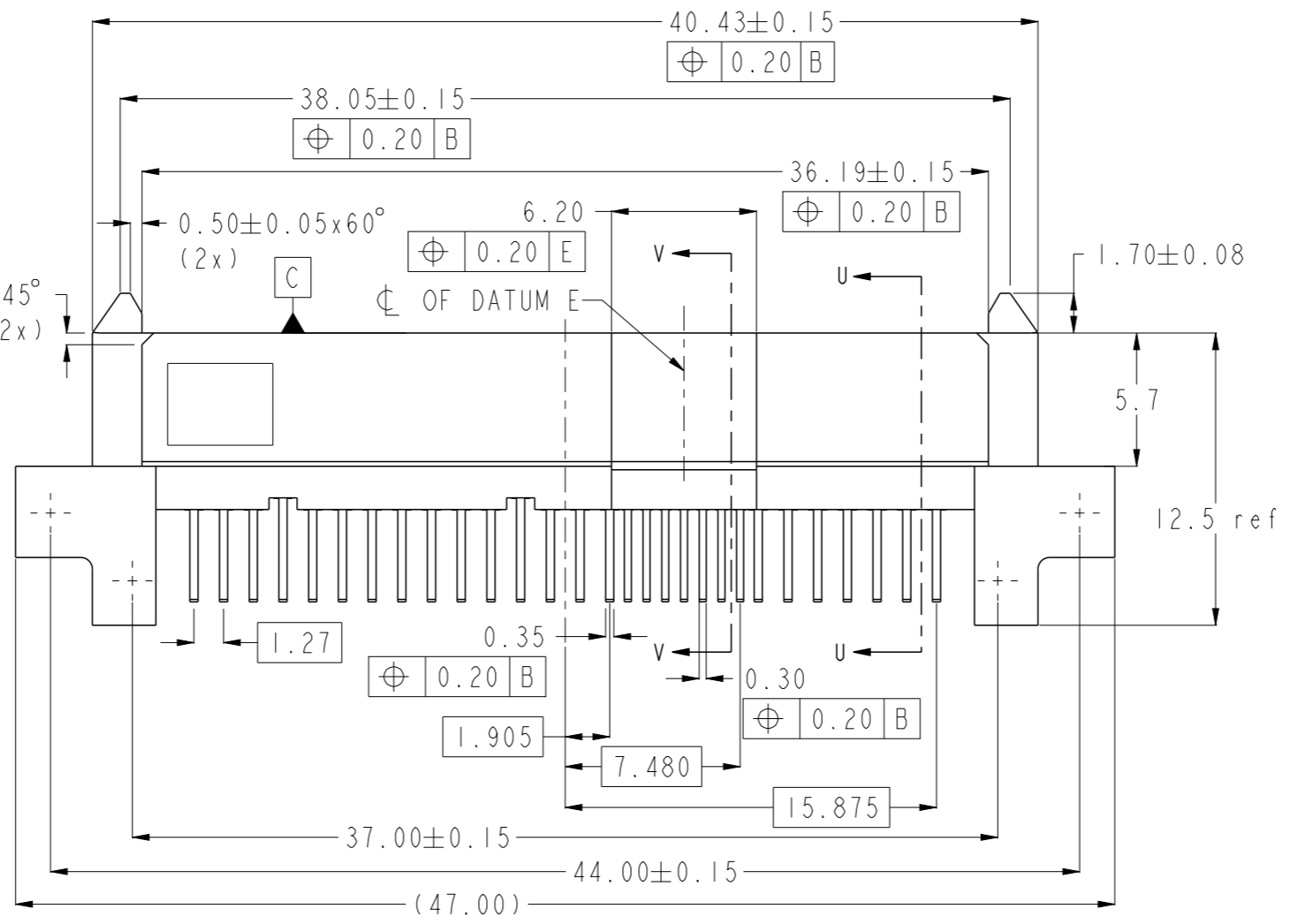
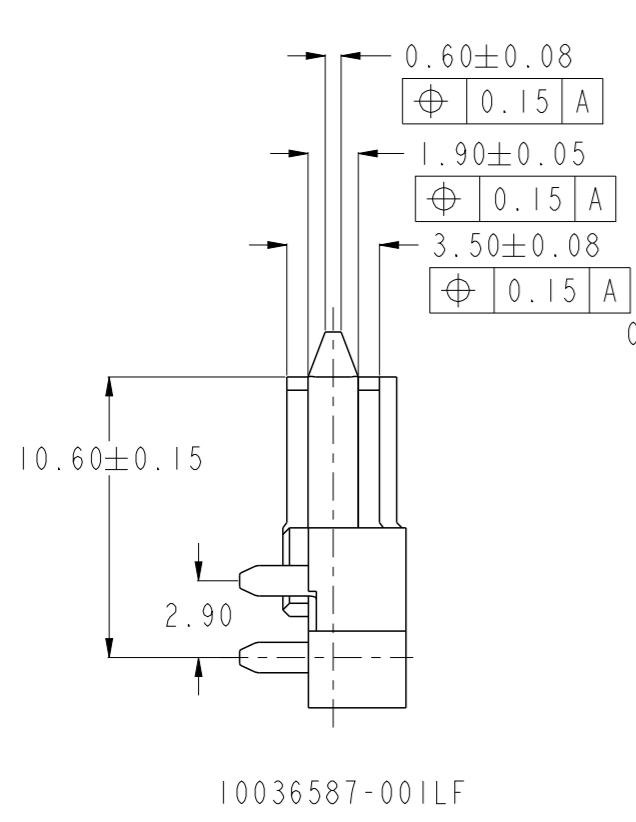
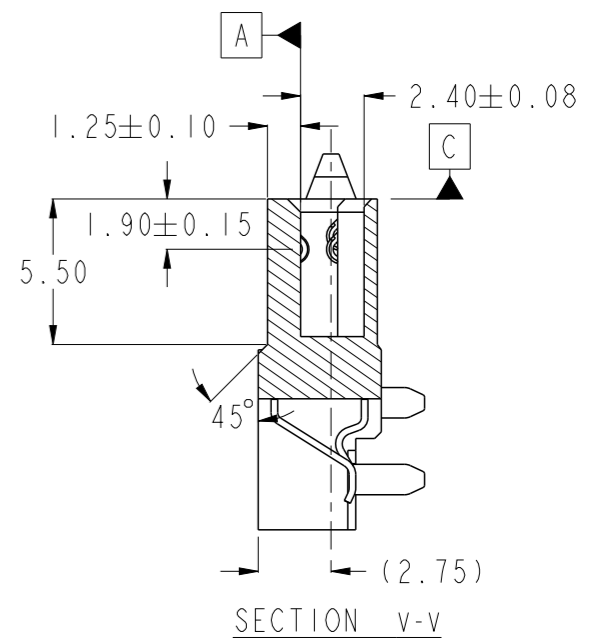
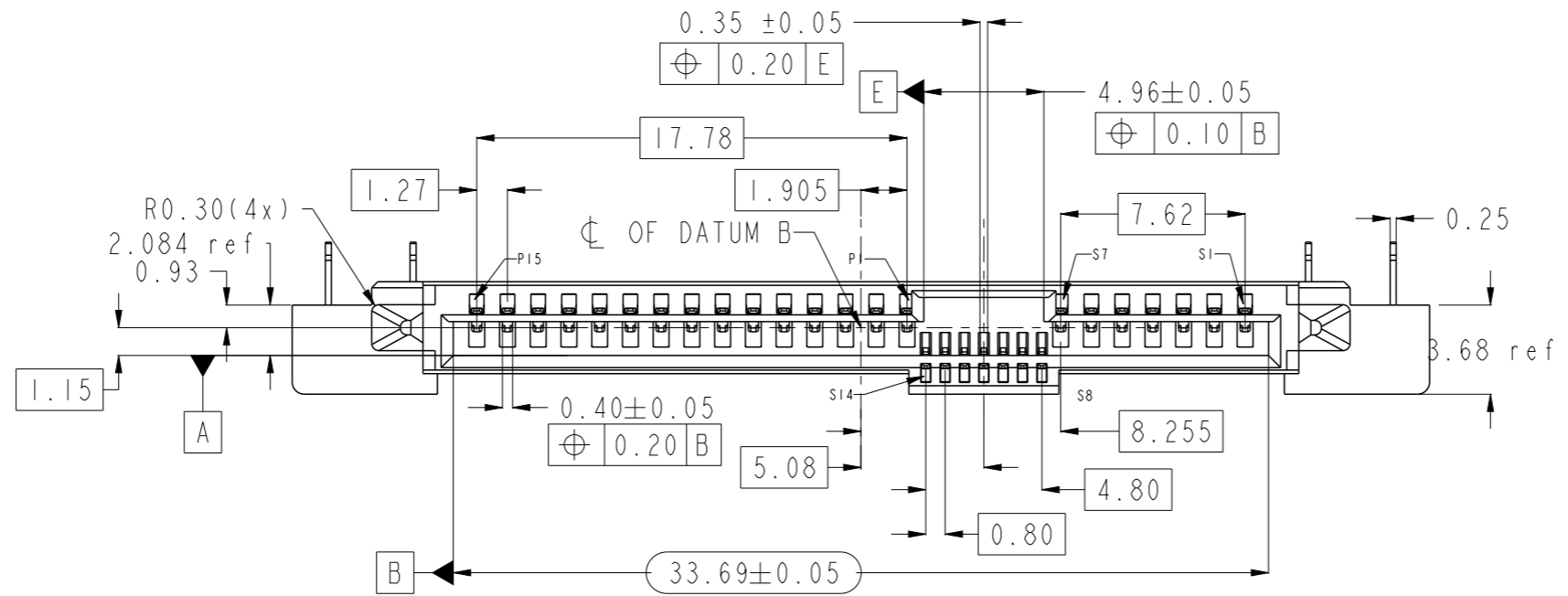


PRODUCT No.
SEE TABLE



Copyright FCI.

spec ref	dr	wcadmin	2006/03/08
tolerance std	eng	Koon-Poh Tay	2012/06/20
ASME Y14.5	chr	-	-
	appr	Chen-Hong Tan	2012/06/20

projection	MM	size	A3	scale	2:1
		ecn no	ELX-S-011973-1		
product family		rel level		Released	



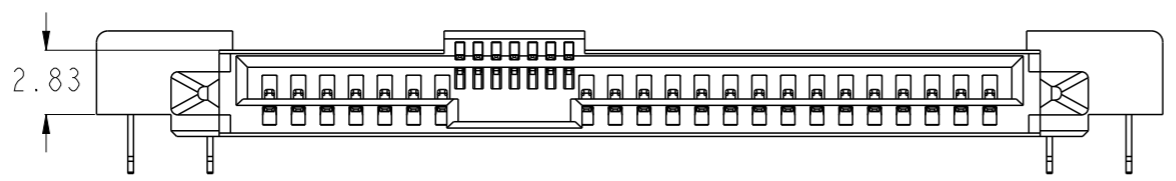
SAS RECEPTACLE
R/A SMT ASSY

dwg no	10036587	rev	N
Product - Customer Drw		sheet 1 of 3	

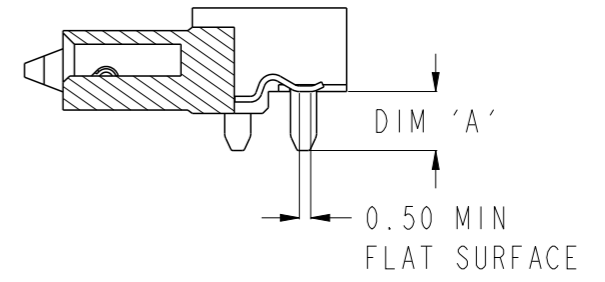
PRODUCT No.	RECOMMENDED PCB THICKNESS	TYPE OF CLIP	DIM 'A'	PACKAGING
10036587-001LF	1.60	METAL BLADE	2.60	TRAY
10036587-001TRLF				TAPE & REEL
10036587-002LF	1.60	FORK LOCK	2.40	TRAY
10036587-002TRLF				TAPE & REEL
10036587-003LF	1.60	METAL BLADE	2.60	TRAY
10036587-003TRLF				TAPE & REEL
10036587-004LF	2.60	METAL BLADE	3.60	TRAY



10036587-001LF



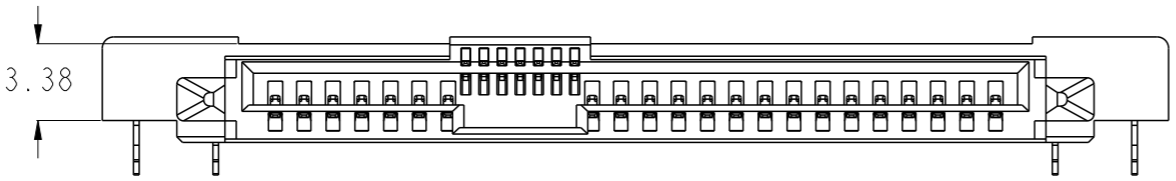
2.83



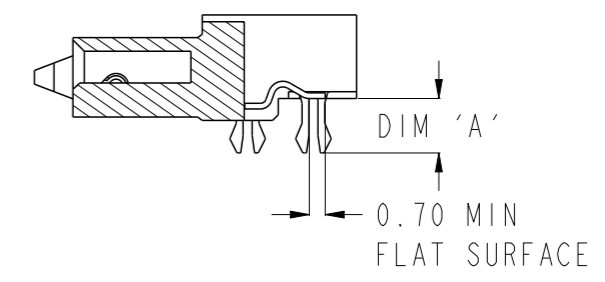
DIM 'A'

0.50 MIN
FLAT SURFACE

10036587-002LF



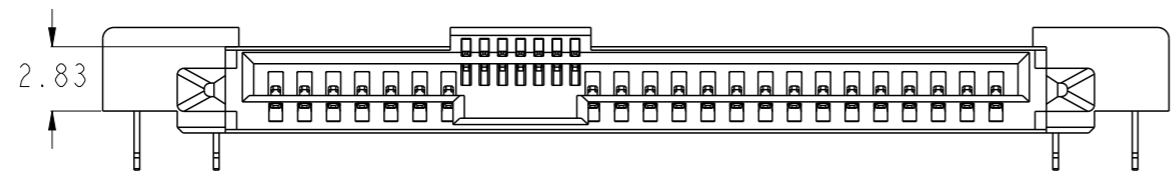
3.38



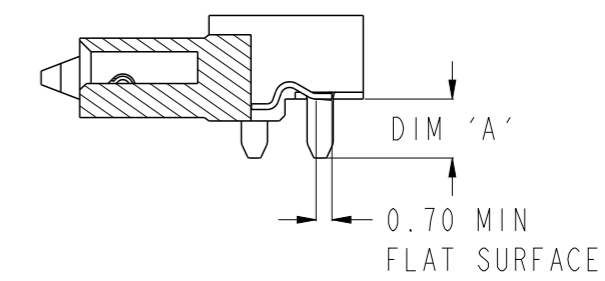
DIM 'A'

0.70 MIN
FLAT SURFACE

10036587-003LF
10036587-004LF



2.83



DIM 'A'

0.70 MIN
FLAT SURFACE

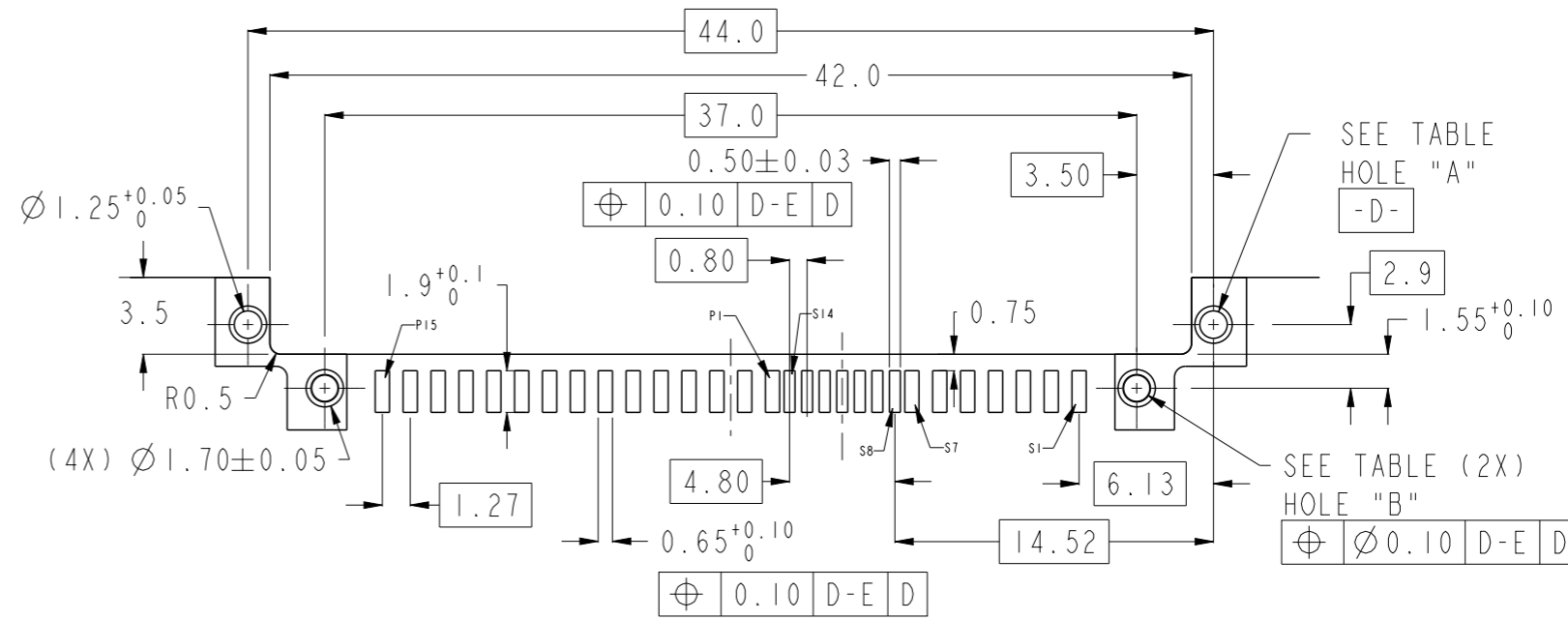
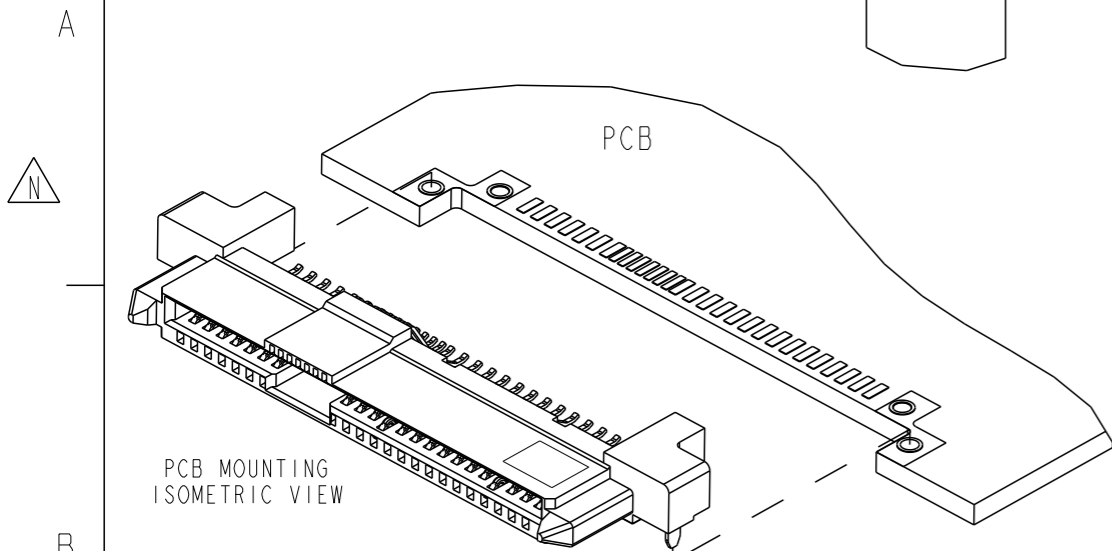
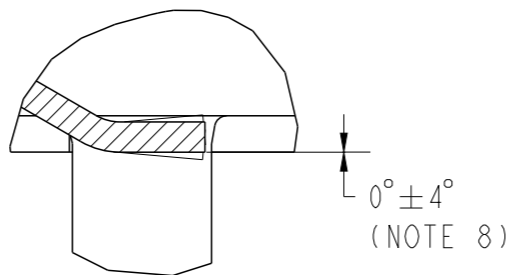
UNSPECIFIED DIMENSIONS PLEASE REFER TO PAGE 1 & 2



Copyright FCI.

spec ref	dr	wcadmin	2006/03/08	projection	MM	size	A3	scale	2:1
tolerance std	eng	Koon-Poh Tay	2012/06/20			ecn no	ELX-S-011973-1	rel level	Released
ASME Y14.5	chr	-	-						
surface <input checked="" type="checkbox"/> linear ASME Y14.5 angular	appr	Chen-Hong Tan	2012/06/20	product family		rel level			
	linear	0.X	±0.25		SAS RECEPTACLE R/A SMT ASSY	dwg no 10036587	rev N		
	0.XX	±0.2							
0.XXX	±-								
ASME Y14.5	angular	0°	±0.2°	www.fci.com	cat. no.	Product - Customer Drw	sheet 2 of 3		

PRODUCT No.
SEE TABLE

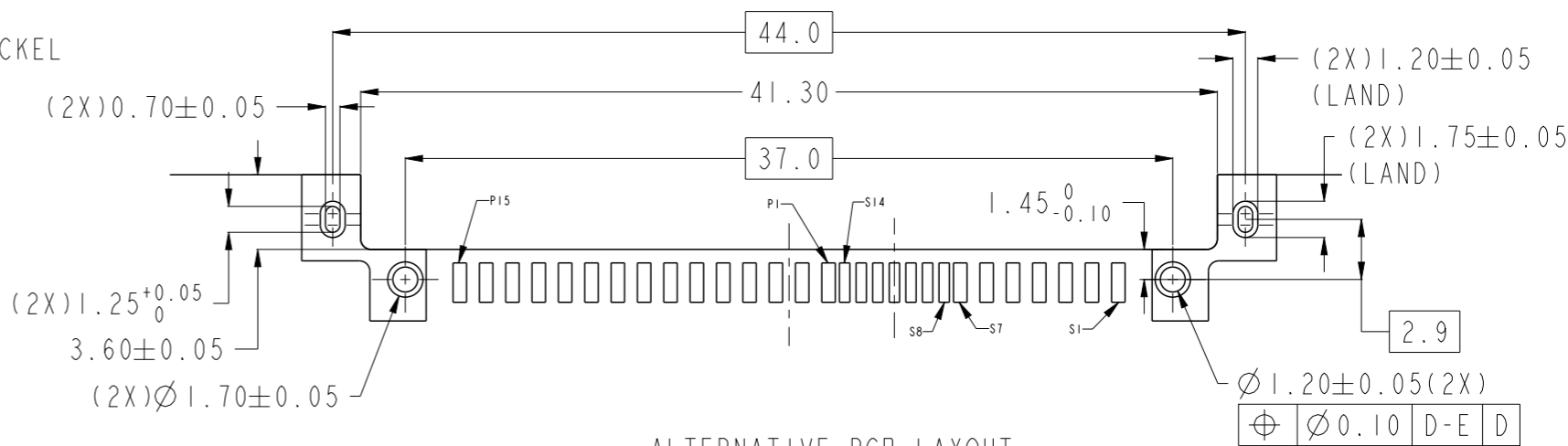


RECOMMENDED PCB LAYOUT
RECOMMENDED PCB T: 1.6mm
TOLERANCE UNLESS OTHERWISE: ±0.1

	HOLE "A"	HOLE "B"	REMARKS
RECOMMENDED 1	Ø 1.25 ^{+0.05} / ₋₀	Ø 1.20 ^{+0.05} / ₋₀	STD
RECOMMENDED 2	Ø 1.20 ± 0.05	Ø 1.20 ± 0.05	CUSTOMISE

NOTES:-

- MATERIAL:
 - HOUSING : HIGH TEMP. THERMOPLASTIC, 94V-0, COLOR: BLACK
 - TERMINAL : COPPER ALLOY
 - HOLD DOWN: COPPER ALLOY
- FINISH:
 - TERMINAL : 30u" Au PLATING (CONTACT PONT) OVER 50u" MIN NICKEL
 - SOLDER TAIL: 100u" MIN TIN OVER 50u" MIN NICKEL
 - HOLD DOWN : 100u" MIN TIN OVER 50u" MIN NICKEL
- PACKAGING:
 - 10036587-XXXLF : REFER TO STANDARD PACKAGING IN TRAY
 - 10036587-XXXTRLF: REFER TO TAPE AND REEL PACKAGING
- THE HOUSING WILL WITHSTAND EXPOSURE TO 260 DEGREES CELSIUS PEAK TEMPERATURE FOR 10 SECONDS IN A CONVECTION, INFRE-RED OR VAPOUR PHASE REFLOW OVEN
- THIS PRODUCT MEETS EUROPEAN UNION DIRECTIVES AND OTHER COUNTRY REGULATIONS AS DESCRIBED IN GS-22-008
- PART NUMBERS ENDING IN 'LF' MEANS FOR NOTE 5 LEAD FREE IDENTIFICATION, P/N XXXXXXXX-XXXLF IS EQUIVALENT TO PREVIOUS P/N XXXXXXXX-XXX
- ALL SOLDER TAIL TO BE WITHIN 0.10mm, MAX COPLANARITY.
- ALL SOLDER TAILS ANGLE CONTROL SHALL BE 0° ± 4° AND APPLIED TO P/n 10036587-XXXLF.
- A SYMBOL BE NEXT TO ANY DIMENSION, VIEW, OR NOTE WHICH HAS BEEN MODIFIED WITH THE CURRENT DRAWING REVISION.



ALTERNATIVE PCB LAYOUT
REFER TO ABOVE RECOMMENDED PCB LAYOUT FOR UNSPECIFIED DIMENSIONS
RECOMMENDED PCB T: 1.6mm
TOLERANCE UNLESS OTHERWISE: ±0.1

spec ref	dr	wcadmin	2006/03/08	projection	MM	size	A3	scale	2:1	
tolerance std	eng	Koon-Poh Tay	2012/06/20		← →	ecn no	ELX-S-011973-1	rel level	Released	
ASME Y14.5	chr	-	2012/06/20							
surface	appr	Chen-Hong Tan	2012/06/20	product family		dwg no	10036587	rev	N	
ASME Y14.5	TOLERANCES UNLESS OTHERWISE SPECIFIED		www.fci.com		SAS RECEPTACLE	Product - Customer Drw		sheet 3 of 3		
linear	0.X	±0.25			R/A SMT ASSY		cat. no.		Product - Customer Drw	
	0.XX	±0.2								
	0.XXX	±								
angular	0°	±0.2°	www.fci.com		cat. no.		Product - Customer Drw		sheet 3 of 3	