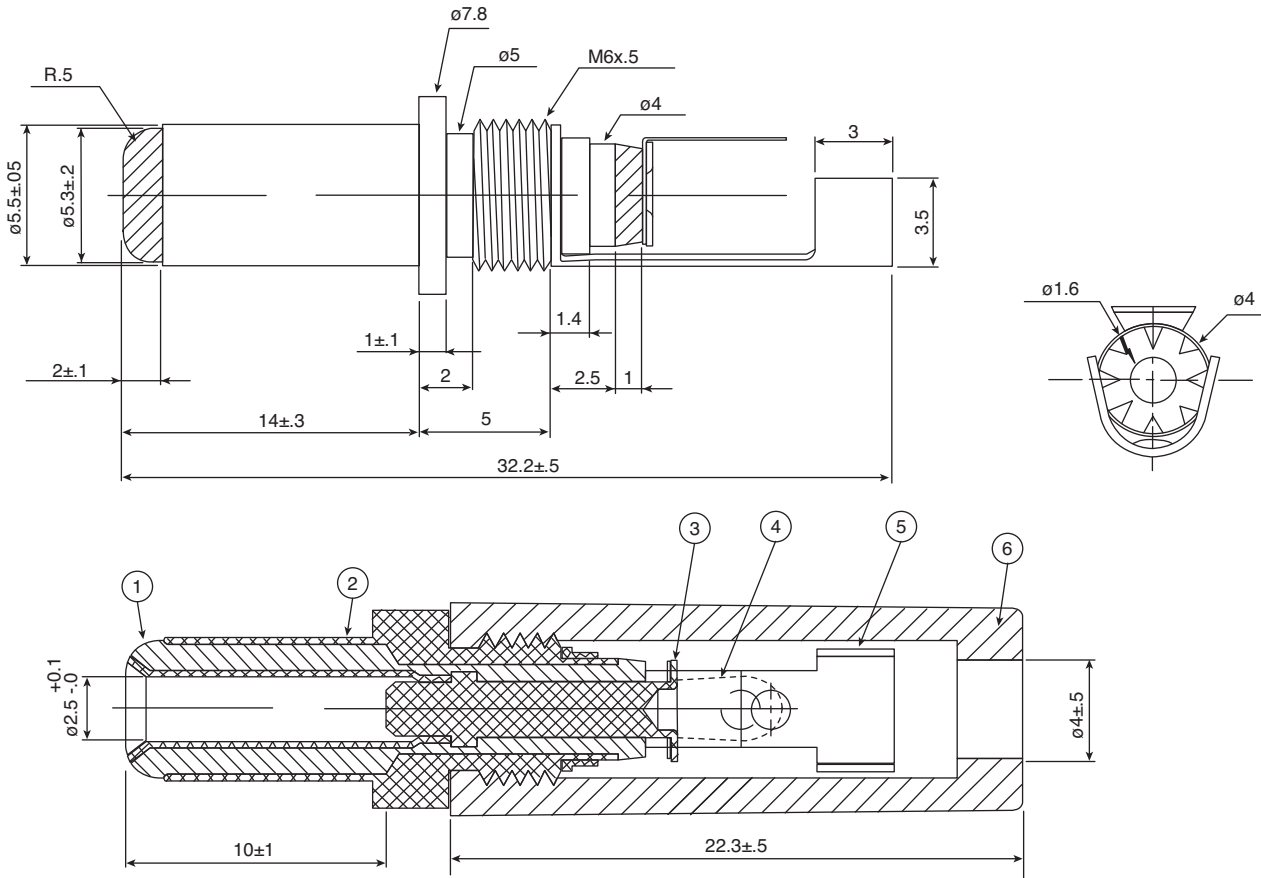


DC Power Plug 2.5mm

171-PA5525A-1-E



DC Power Plug 2.5mm



Dimensions: mm

MATERIAL SPECIFICATIONS	
1:	ABS Black
2:	Brass Nickel
3:	Brass Nickel
4:	Brass Nickel
5:	POM Black

SPECIFICATIONS
RoHS Compliant

Date Last Revised: 8/19/09

Available from Mouser Electronics
1-800-346-6873 / www.mouser.com

KC- 301367

171-PA5525A-1-E