

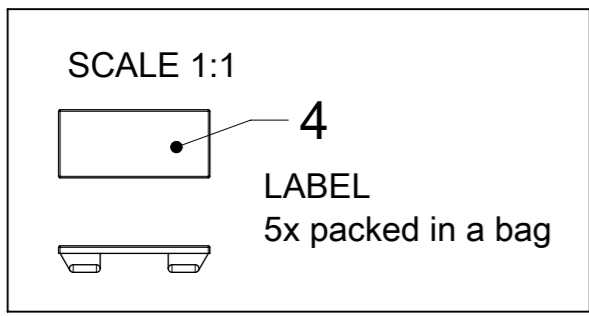
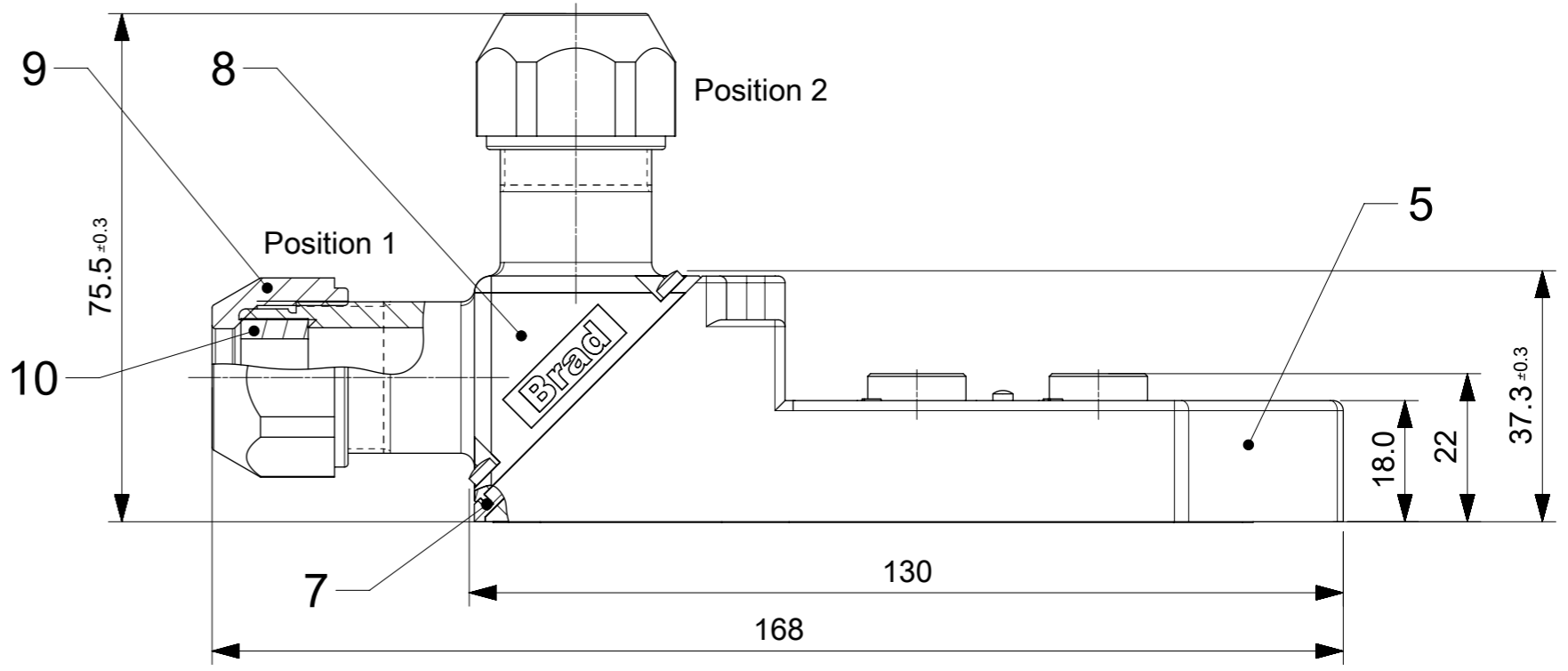
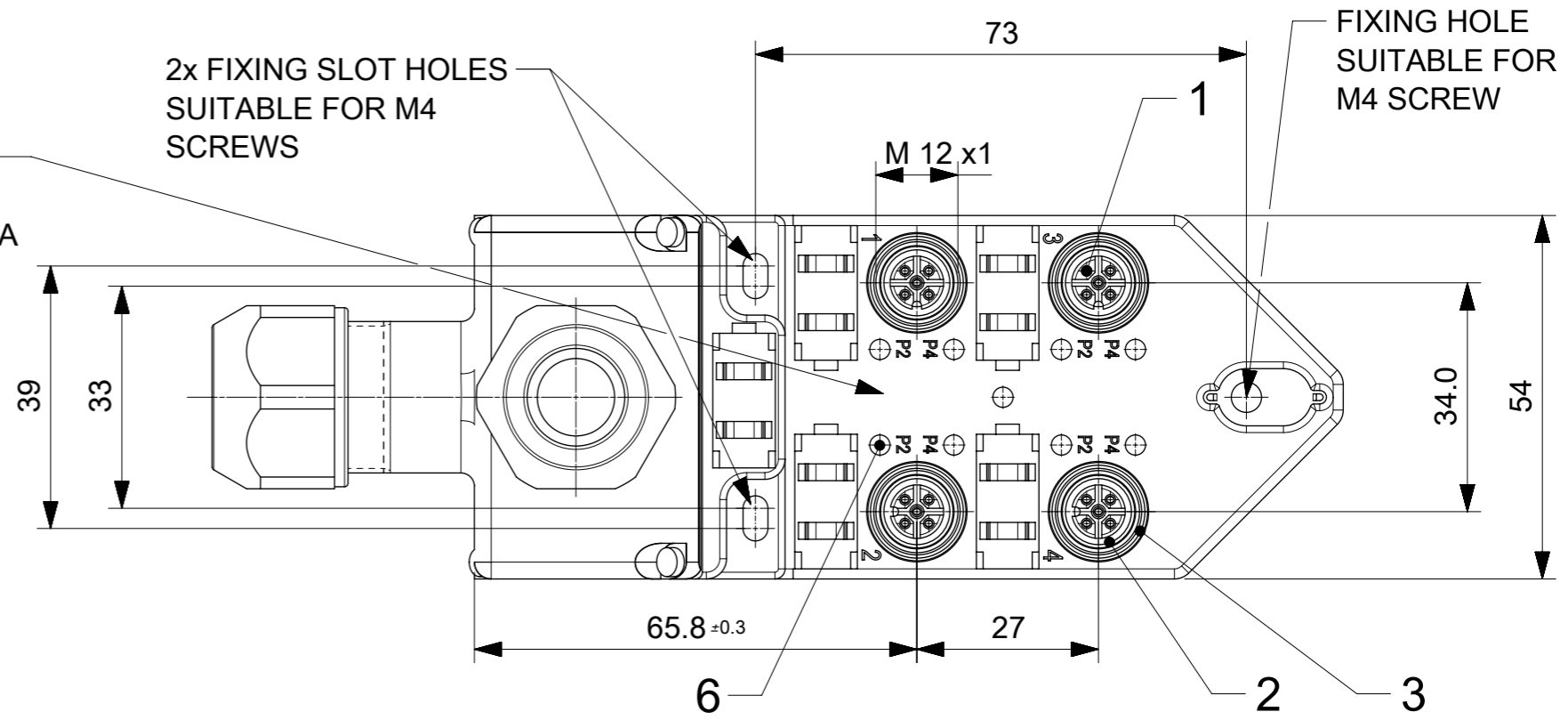
TABLE 1

MOLEX P/N	ENG. NO.	LED
1202480085	BTB403P-FBA	YES

TABLE 2 BILL OF MATERIAL

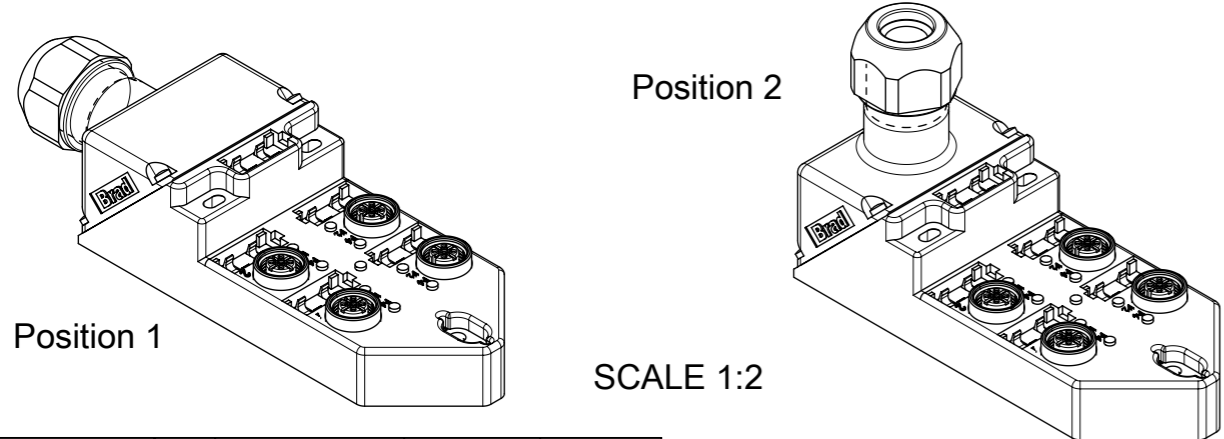
ITEM	DESCRIPTION	MATERIAL	FINISH
1	CONTACT	BRONZE	GOLD OVER NICKEL
2	O-RING	FPM	RED
3	SHELL	BRASS	NICKEL PLATED
4	LABEL	ABS	WHITE
5	HOUSING	PBT	BLACK
6	LED	PA	TRANSPARENT
7	O-RING	NBR	BLACK
8	CLAMPBOX	PBT	BLACK
9	NUT	PA	BLACK
10	GASKET	NBR	BLACK

LASER PRINTING:
 PN: 120248XXXX
 ENG.: BTB403X-FBA
 PO: XXXXXXXXXX



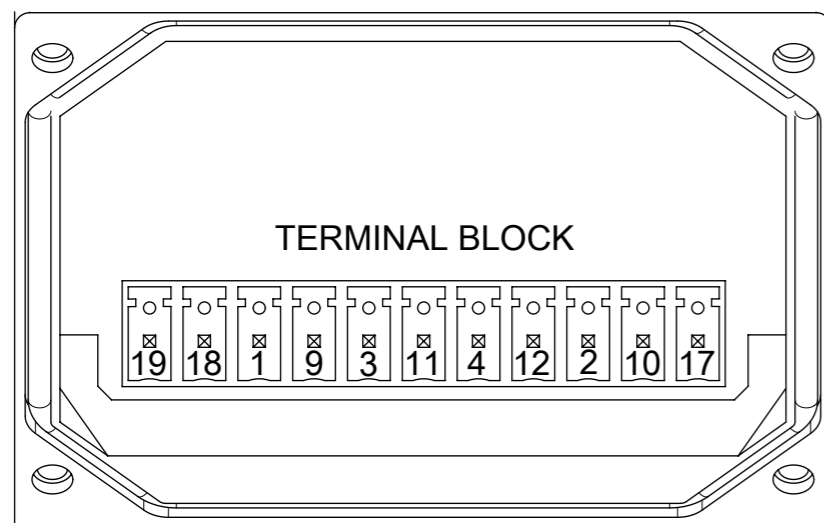
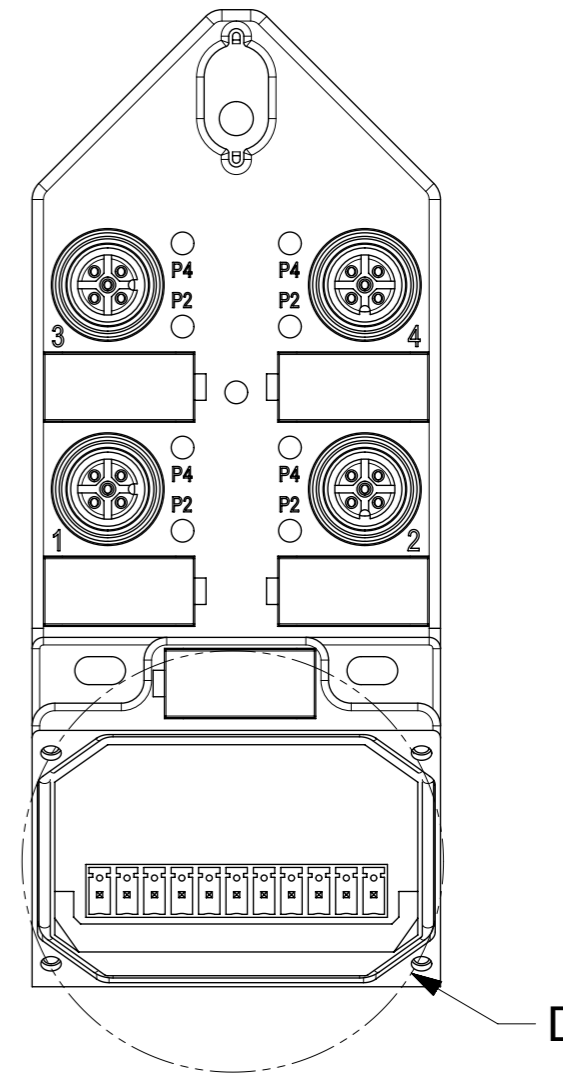
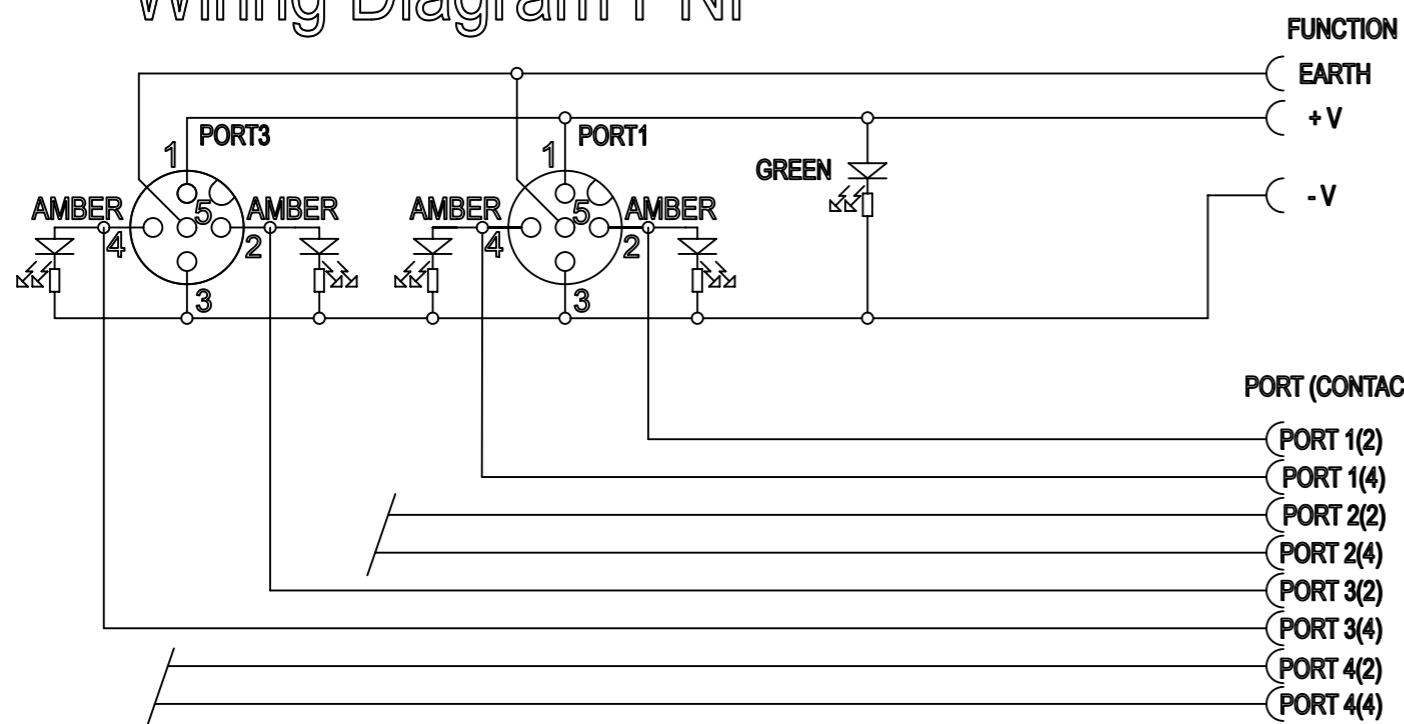
GENERAL CHARACTERISTICS:

NOMINAL VOLTAGE: 10-30 V DC
 AMPERE RATING: 4 A PER PORT / 12 A MAX
 IP DEGREE OF PROTECTION: IP 67
 TEMPERATURE RANGE: -25°C to + 90°C



SYMBOLS	THIS DRAWING CONTAINS INFORMATION THAT IS PROPRIETARY TO MOLEX ELECTRONIC TECHNOLOGIES, LLC AND SHOULD NOT BE USED WITHOUT WRITTEN PERMISSION	CURRENT REV DESC: LASER PRINTING ADDED		molex	
	DIMENSION UNITS	SCALE			
▽ = 0	mm			PRODUCT CUSTOMER DRAWING	
▽ = 0	GENERAL TOLERANCES (UNLESS SPECIFIED)		EC NO: 172073	DOCUMENT NUMBER	DOC TYPE
▽ = 0	ANGULAR TOL ± °		DRWN: BBRAUCH 2018/01/31	1202480085	PSD
▽ = 0	4 PLACES ±		CHK'D: ULETTENMEIER 2018/02/08	000	A4
▽ = 0	3 PLACES ±		APPR: RSILLER 2018/02/09	SHEET NUMBER	
▽ = 0	2 PLACES ±		INITIAL REVISION:	1 OF 2	
▽ = 0	1 PLACE ± 0.2		DRWN: AAHLERS 2015/04/07	SEE TABLE 1	
▽ = 0	0 PLACES ± 0.3		APPR: JALEXANDER 2015/05/28	GENERAL MARKET	
■ = 0	DRAFT WHERE APPLICABLE MUST REMAIN WITHIN DIMENSIONS		THIRD ANGLE PROJECTION	MATERIAL NUMBER	
▽ = 0			DRAWING	CUSTOMER	
			SERIES	120248	
			A3-SIZE	120248	

Wiring Diagram PNP



TERMINAL BLOCK

DETAIL D
SCALE 2:1

SYMBOLS	THIS DRAWING CONTAINS INFORMATION THAT IS PROPRIETARY TO MOLEX ELECTRONIC TECHNOLOGIES, LLC AND SHOULD NOT BE USED WITHOUT WRITTEN PERMISSION		CURRENT REV DESC: LASER PRINTING ADDED		molex
	DIMENSION UNITS	SCALE			
▽ = 0	mm		EC NO: 172073		MPIS M12 FA PNP 5P 4PT AC FE
▽ = 0	GENERAL TOLERANCES (UNLESS SPECIFIED)		DRWN: BBRAUCH	2018/01/31	
▽ = 0	ANGULAR TOL ± °		CHK'D: ULETTENMEIER	2018/02/08	PRODUCT CUSTOMER DRAWING
▽ = 0	4 PLACES ±		APPR: RSILLER	2018/02/09	
▽ = 0	3 PLACES ±		INITIAL REVISION:		DOCUMENT NUMBER
▽ = 0	2 PLACES ±		DRWN: AAHLERS	2015/04/07	1202480085
▽ = 0	1 PLACE ± 0.2		APPR: JALEXANDER	2015/05/28	PSD 000 A4
▽ = 0	0 PLACES ± 0.3		THIRD ANGLE PROJECTION		DOC TYPE
■ = 0	DRAFT WHERE APPLICABLE MUST REMAIN WITHIN DIMENSIONS		DRAWING	SERIES	DOC PART
▽ = 0			A3-SIZE	120248	REVISION
		MATERIAL NUMBER		CUSTOMER	SHEET NUMBER
		SEE TABLE 1		GENERAL MARKET	2 OF 2