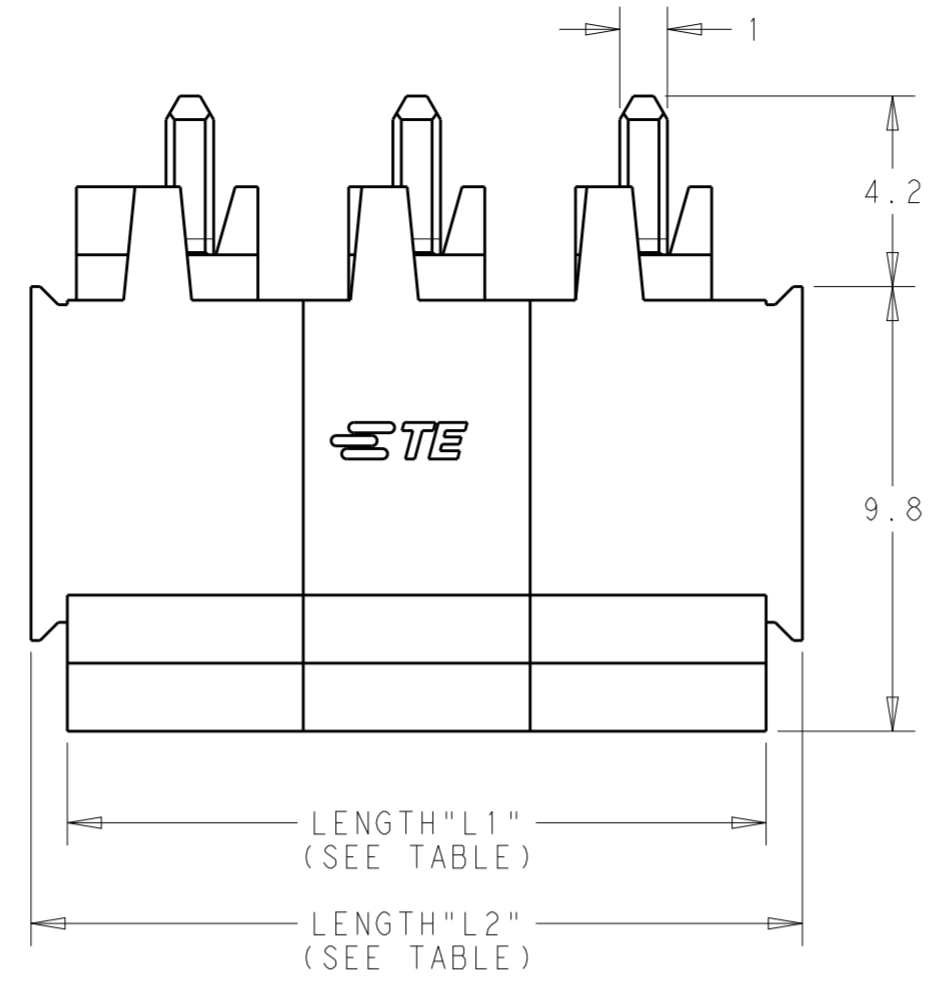
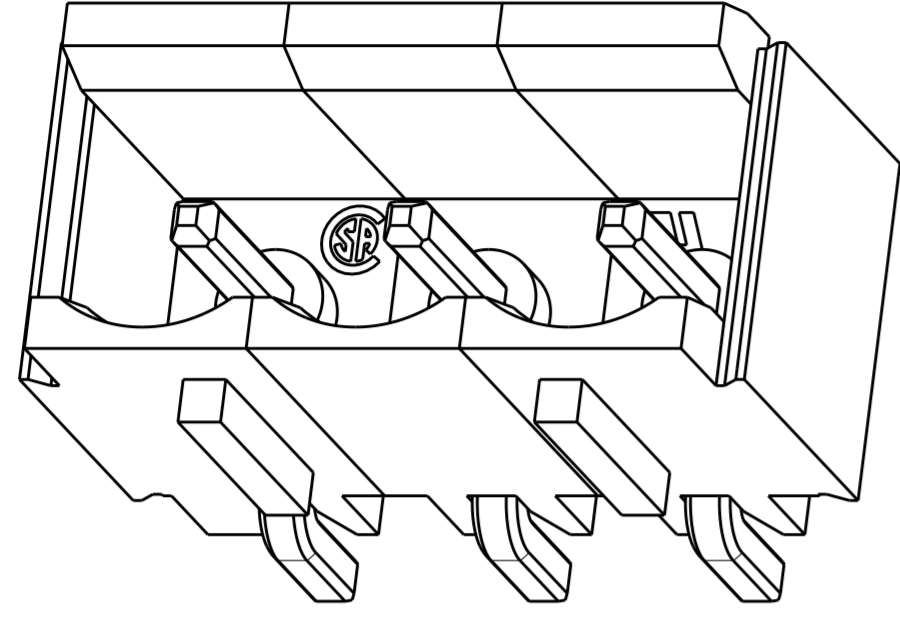
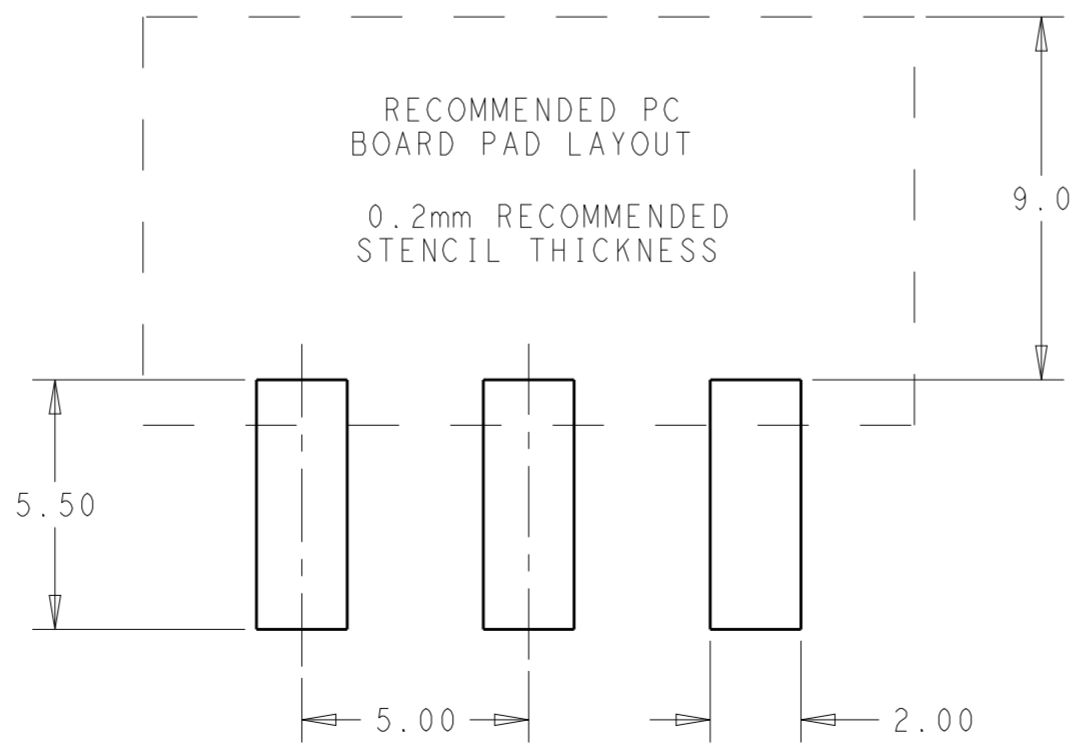
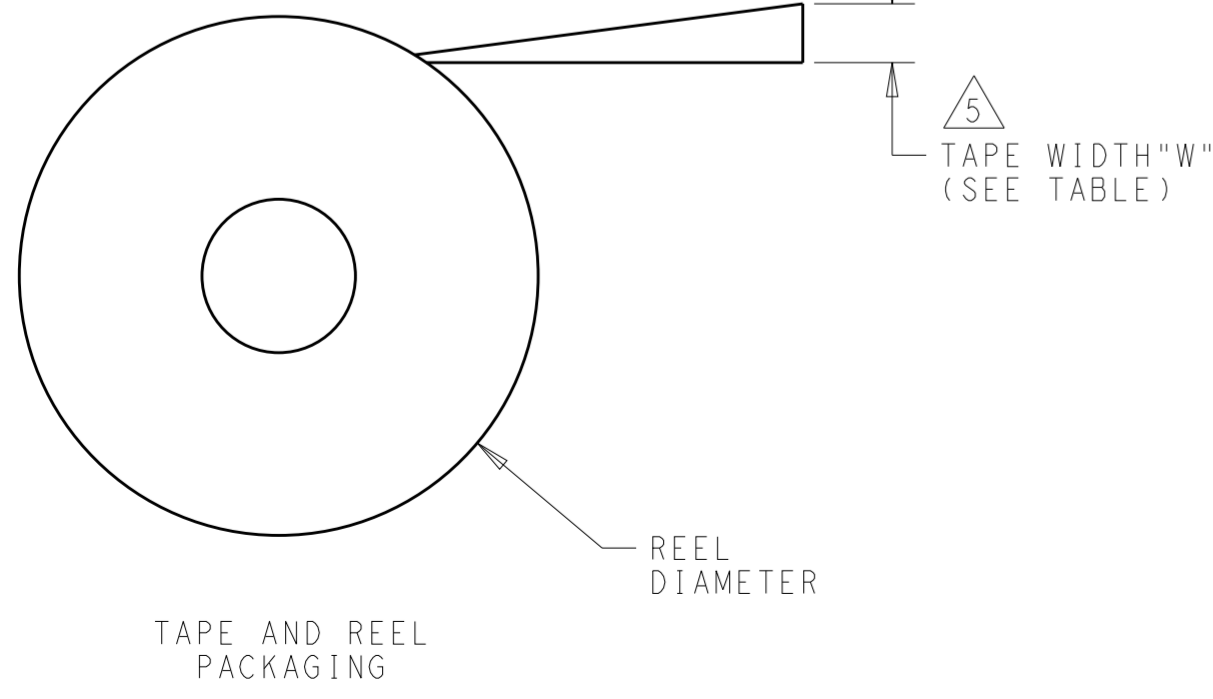
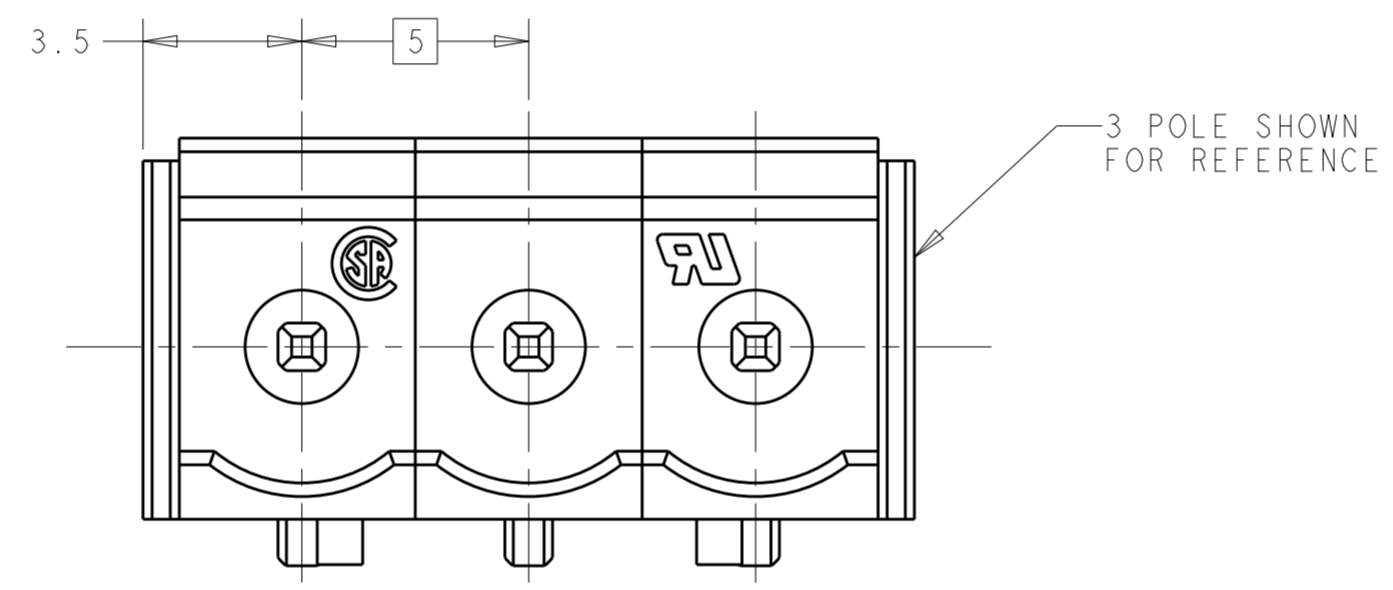
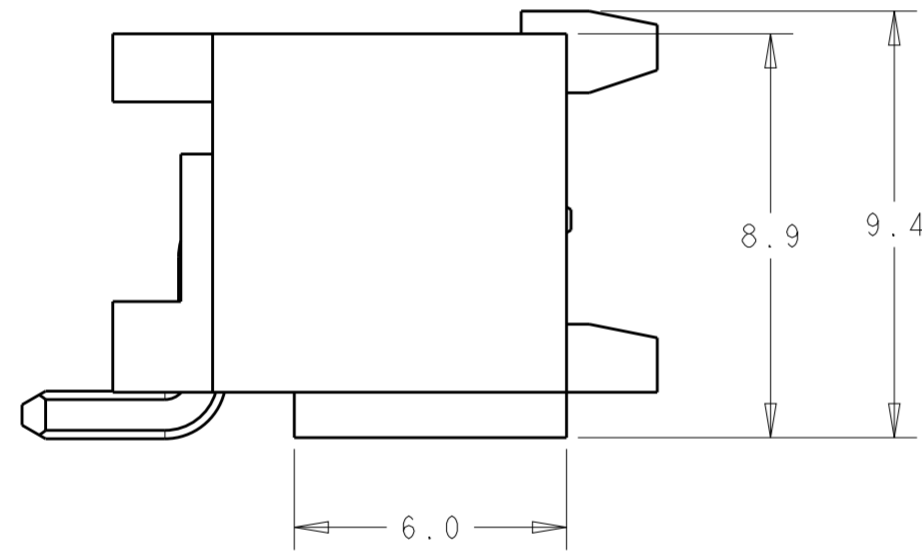


THIS DRAWING IS UNPUBLISHED. RELEASED FOR PUBLICATION  
 © COPYRIGHT copyright.d8Te- ALL RIGHTS RESERVED.

REVISIONS					
P	LTR	DESCRIPTION	DATE	DWN	APVD
A		NEW DRAWING	10SEP2016	RS	ML
A1		REVISED PER ECR-16-016988	03JAN2017	RK	PO



- HOUSING MATERIAL: THERMOPLASTIC, FLAME-RETARDANT PER UL 94 V-0  
COLOR = BLACK
- CONTACT MATERIAL: COPPER ALLOY WITH TIN PLATE
- PRODUCT CERTIFICATIONS:  
UL, CSA: 300V (SEE TABLE FOR RATED CURRENT)
- HAZARDOUS SUBSTANCE COMPLIANCE: RoHS, REACH
- PACKAGING: TAPE AND REEL  
REEL DIAMETER = 380mm  
TAPE WIDTH = SEE TABLE
- MATES WITH 2213934 SERIES, 2213935 SERIES, AND 2305909 SERIES



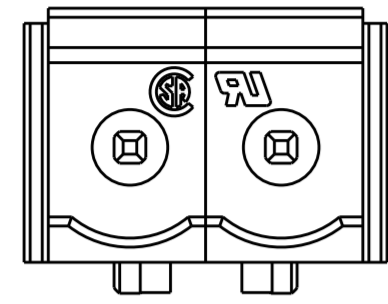
RATED CURRENT	UL GROUP	CSA GROUPS	TAPE WIDTH "W" (mm)	LENGTH "L2" (mm)	LENGTH "L1" (mm)	NO. OF POLES	TE PART NO.
10A	UL GROUP D	CSA GROUPS D, E	88	62.0	60.4	12	1-2305908-2
				57.0	55.4	11	1-2305908-1
15A	UL GROUP B	CSA GROUP B	72	52.0	50.4	10	1-2305908-0
				47.0	45.4	9	2305908-9
				42.0	40.4	8	2305908-8
				37.0	35.4	7	2305908-7
-	-	-	56	32.0	30.4	6	2305908-6
				27.0	25.4	5	2305908-5
				22.0	20.4	4	2305908-4
-	-	-	44	17.0	15.4	3	2305908-3
				12.0	10.4	2	2305908-2

THIS DRAWING IS A CONTROLLED DOCUMENT.

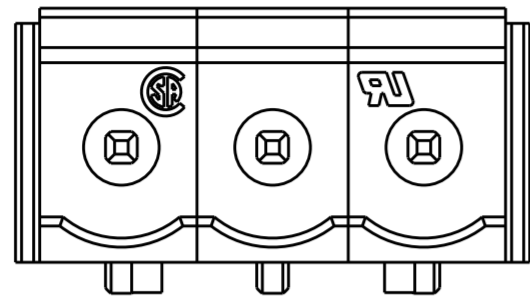
DIMENSIONS: mm	TOLERANCES UNLESS OTHERWISE SPECIFIED:	DWN: RAVLS 10SEP2016	TE Connectivity NAME: TERMINAL BLOCK HEADER, RIGHT ANGLE, SMT, 5.0MM PITCH
0 PLC ±0.2	1 PLC ±0.13	CHK: M.LUKSIC 10SEP2016	
2 PLC ±0.13	3 PLC ±	APVD: M.LUKSIC 10SEP2016	
MATERIAL: SEE NOTES	FINISH: -	PRODUCT SPEC: -	SIZE: A2
		APPLICATION SPEC: -	CAGE CODE: -
		WEIGHT: -	DRAWING NO: C-2305908
		CUSTOMER DRAWING	RESTRICTED TO: -
			SCALE: 5:1
			SHEET 1 OF 2
			REV A1

THIS DRAWING IS UNPUBLISHED. RELEASED FOR PUBLICATION  
 © COPYRIGHT copyright\_dBTe- ALL RIGHTS RESERVED.

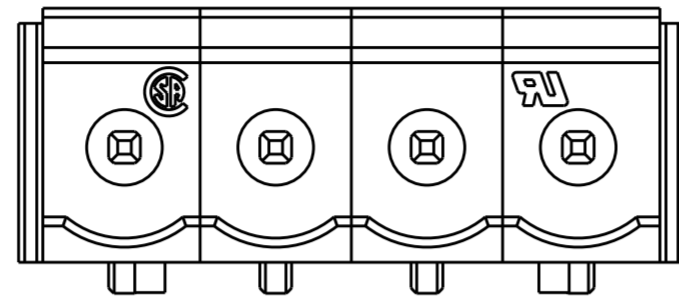
REVISIONS				
P	LTR	DESCRIPTION	DATE	APVD
-		SEE SHEET 1	-	-



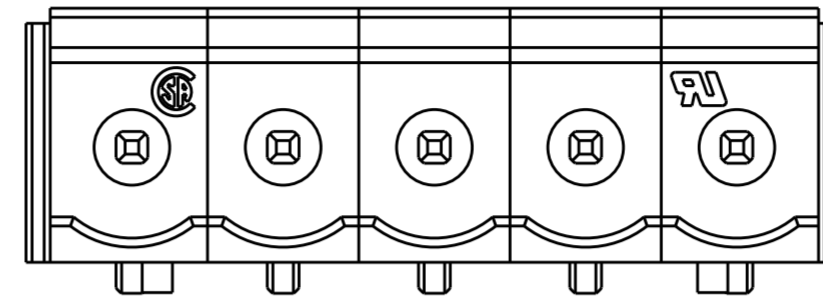
2 POLES: 2305908-2



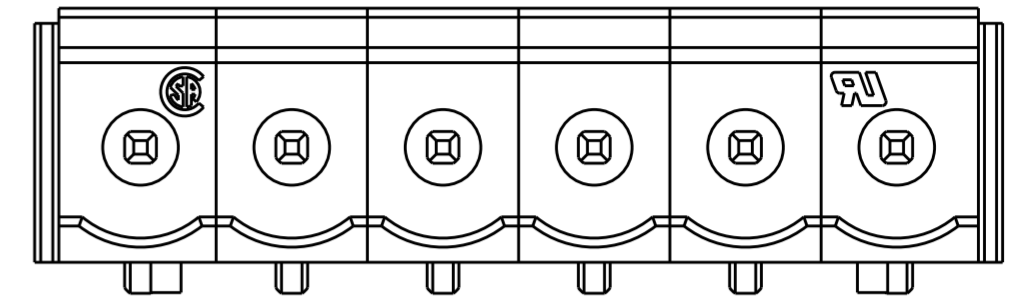
3 POLES: 2305908-3



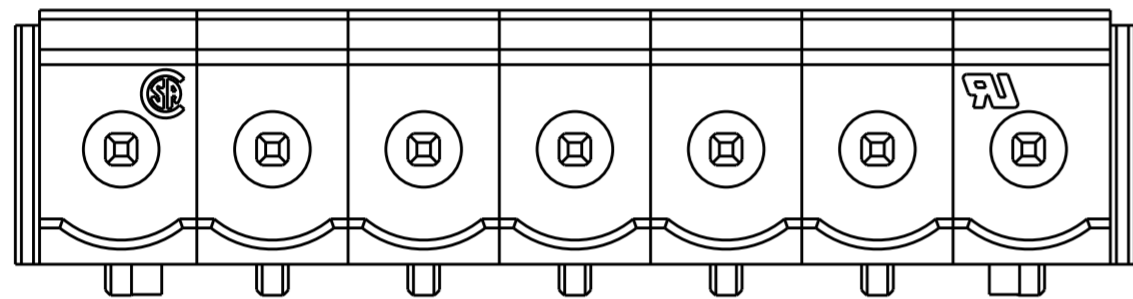
4 POLES: 2305908-4



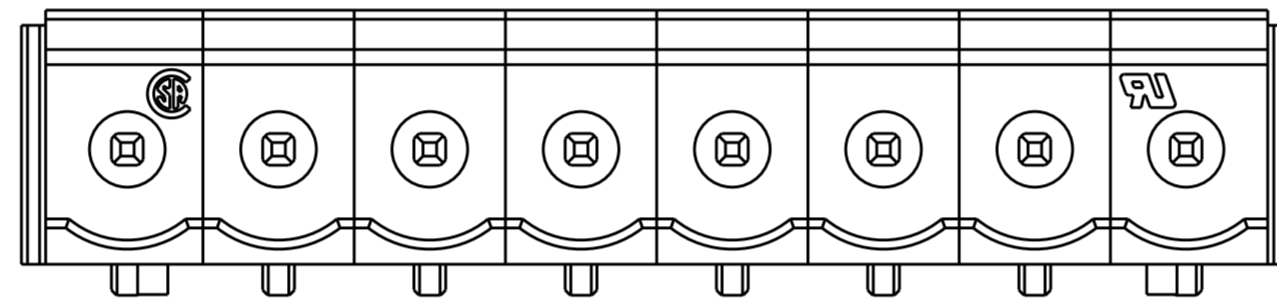
5 POLES: 2305908-5



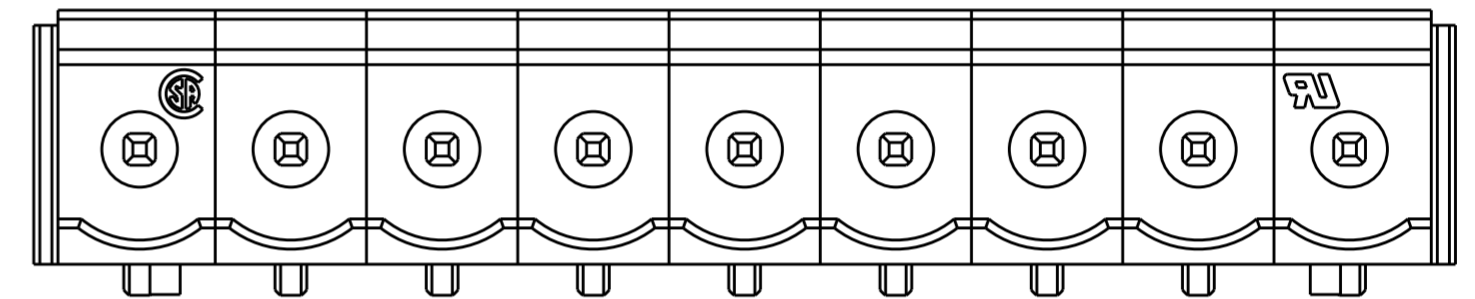
6 POLES: 2305908-6



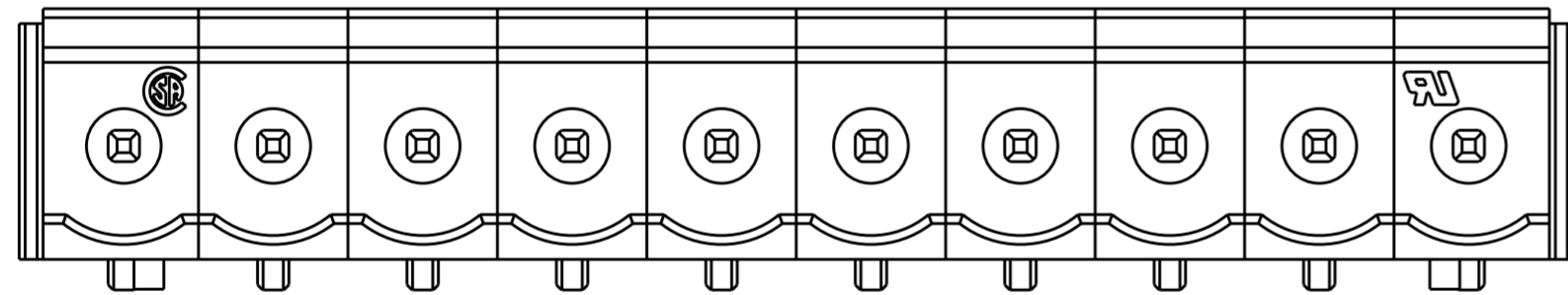
7 POLES: 2305908-7



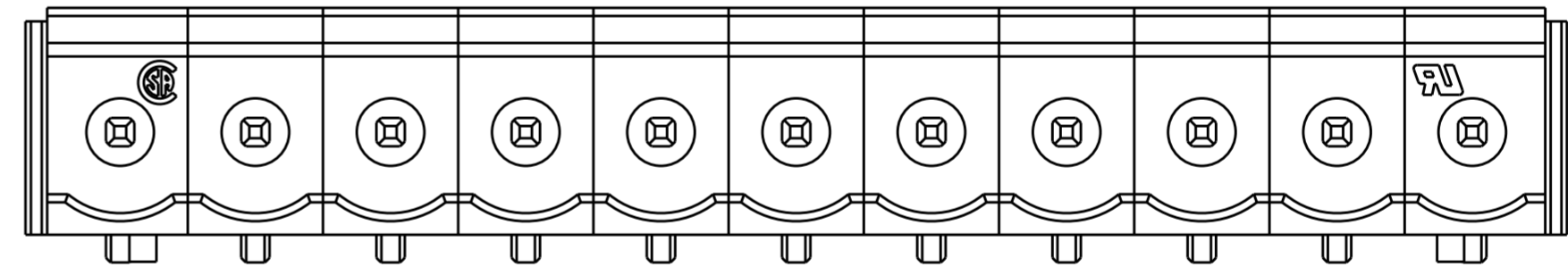
8 POLES: 2305908-8



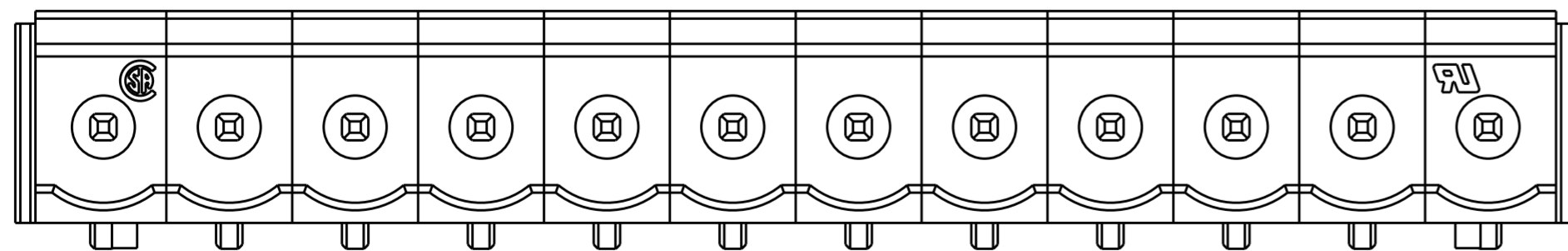
9 POLES: 2305908-9




10 POLES: 1-2305908-0



11 POLES: 1-2305908-1



12 POLES: 1-2305908-2

THIS DRAWING IS A CONTROLLED DOCUMENT.		DWN RAVLS 10SEP2016	 TE Connectivity	NAME		
DIMENSIONS:		CHK M.LUKSIC 10SEP2016		TERMINAL BLOCK HEADER, RIGHT ANGLE, SMT, 5.0MM PITCH		
TOLERANCES UNLESS OTHERWISE SPECIFIED:		APVD M.LUKSIC 10SEP2016		SIZE	CAGE CODE	DRAWING NO
mm		PRODUCT SPEC		A2	-	G-2305908
0 PLC ± 1 PLC ±0.2 2 PLC ±0.13 3 PLC ± 4 PLC ± ANGLES ± FINISH -		APPLICATION SPEC	RESTRICTED TO	-		
MATERIAL		WEIGHT	SCALE	SHEET	REV	
-		-	5:1	2 OF 2	A1	
CUSTOMER DRAWING						